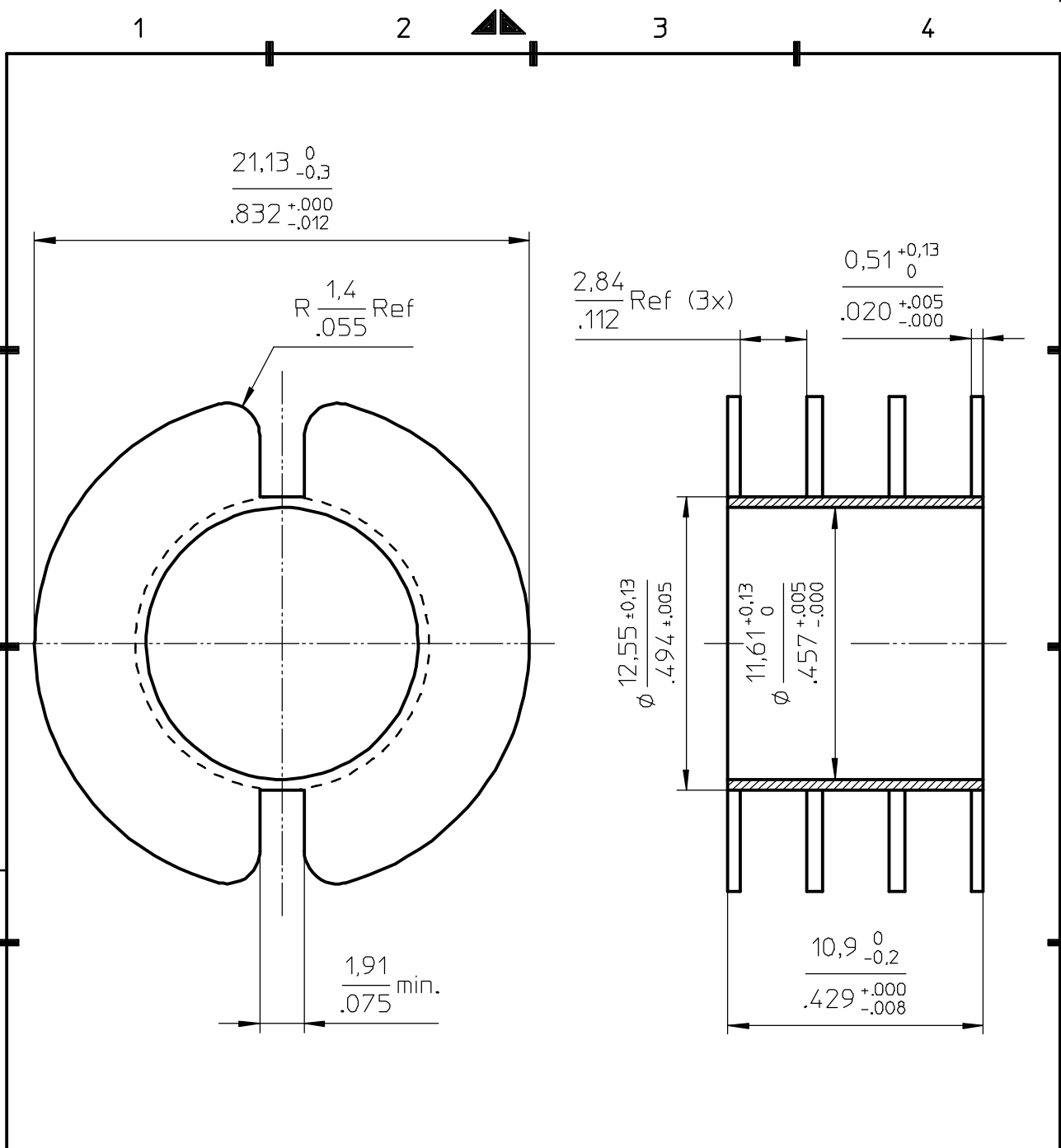
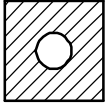


**FERROXCUBE**



Coil former material: Delrin 900 (POM).  
 UL file number: E66288 - UL94HB.

		CP-P26/16-3S-A		4335 000 26221		01-06-01
						02-11-04
NAME NAAM	JON	SUPERS. VERV	1	SH BL	SH BL	112 - 001
MPA	CHECK CONTR.	DAT.	Property of Eigendom van		© FERROXCUBE 2002	
						<b>A4</b>