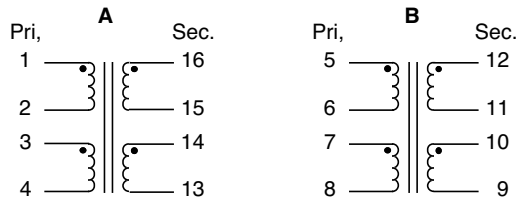


- S/T Interface Applications
- Dual Transformer in SMD Package
- Optional Packaging : Tubes or Tape & Reel
- 2000 Vrms Isolation

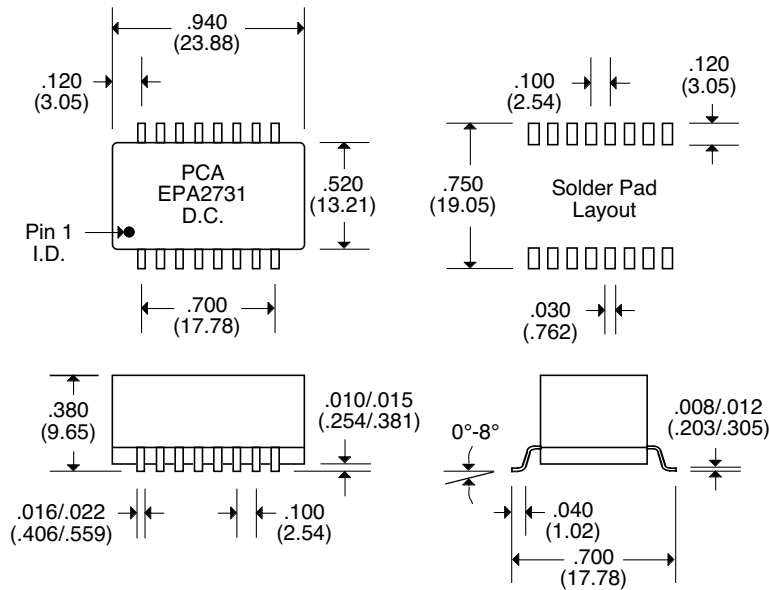
Electrical Parameters @ 25°C

Primary Inductance (mH Min.)		Leakage Inductance (μ H Max.)		Interwinding Capacitance (pF Max.)		Pri. Dist. Capacitance (pF Max.)		Turns Ratio ($\pm 2\%$)		DCR ($\Omega \pm 25\%$)	
Pins 1-4	Pins 5-8	A	B	A	B	A	B	A	B	Pri.	Sec.
22	22	15	15	100	100	80	80	1:2	1:2	2.3	4

Schematics



Package



Unless Otherwise Specified Dimensions are in Inches /mm $\pm .010 / .25$