



PJSOT05CW SERIES

STANDARD CAPACITANCE TVS ARRAY

VOLTAGE 5~24 Volts **POWER** 200 Watts

SOT-323 Unit: inch (mm)

FEATURES

- 200 Watts Peak Pulse Power per Line ($t_p=8/20 \mu s$)
- Low Clamping Voltage
- Unidirectional & Bidirectional Configurations
- IEC61000-4-2,Level 4
- In compliance with EU RoHS 2002/95/EC directives

MECHANICAL DATA

Case: SOT-323

Terminals : Solderable per MIL-STD-750,Method 2026

Approx Weight: 0.005gram

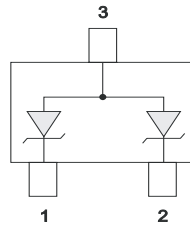
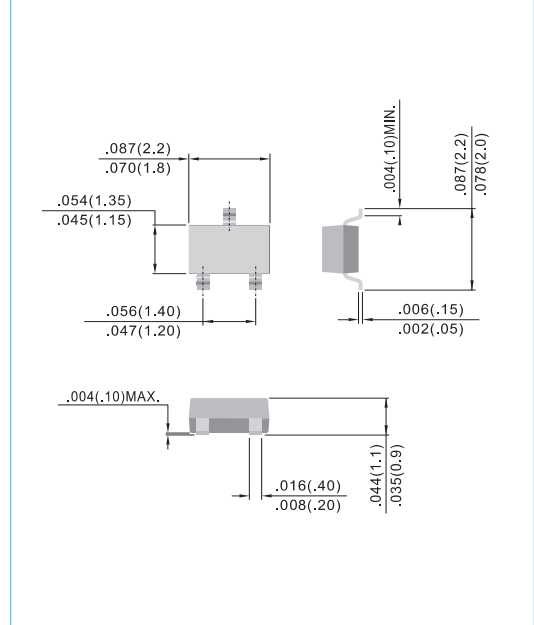


Fig.25



DEVICE CHARACTERISTICS

Ratings at 25°C unless otherwise specified.

PARAMETER	SYMBOL	VALUE	UNITS
Peak Pulse Power ($t_p=8/20 \mu s$)	P _{PP}	200	Watts
Operating Temperature	T _J	-55 to +150	°C
Storage Temperature	T _{STG}	-55 to +150	°C
Forward Voltage@ 100mA,300μs-Square Wave	V _F	1.5	Volts

ELECTRICAL CHARACTERISTICS

Part Number	Reverse Stand-off Voltage	Minum Breakdown Voltage	Max Clamping Voltage @ 8/20 μsec	Peak Pulse Current 8/20 μsec	Maximum Leakage Current	Off-State Capacitance, 1MHz Zero dc Bias	Marking Code
	V _{RWM} Max. V	@1mA V _{BR} V	V _{CL} @ I _{PP} V	I _{PP} A	@ V _{RWM} I _D μA	C _d Max. pF	
PJSOT05CW	5	6	9	7	5	110	2C
PJSOT24CW	24	26.7	43	4	1	30	6CA



PJSOT05CW SERIES

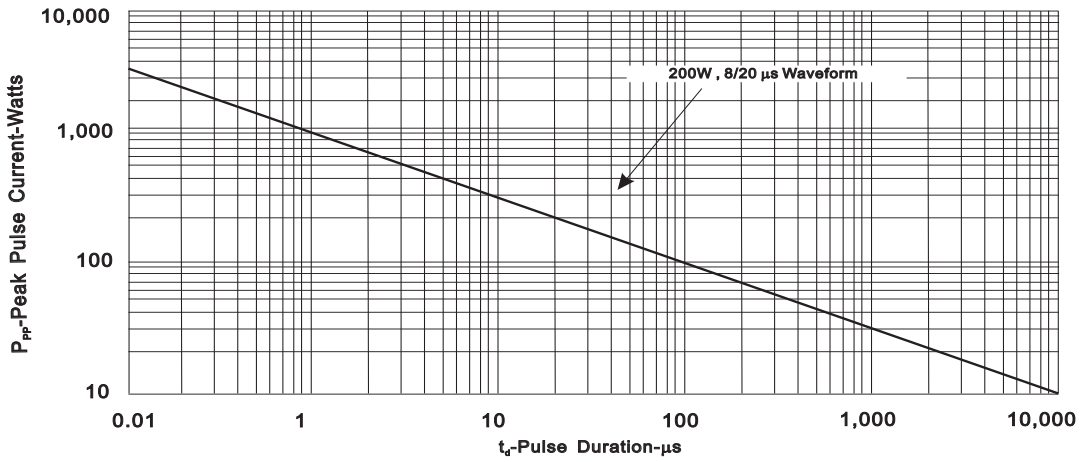


FIG.1- PEAK PULSE POWER VS PULSE TIME

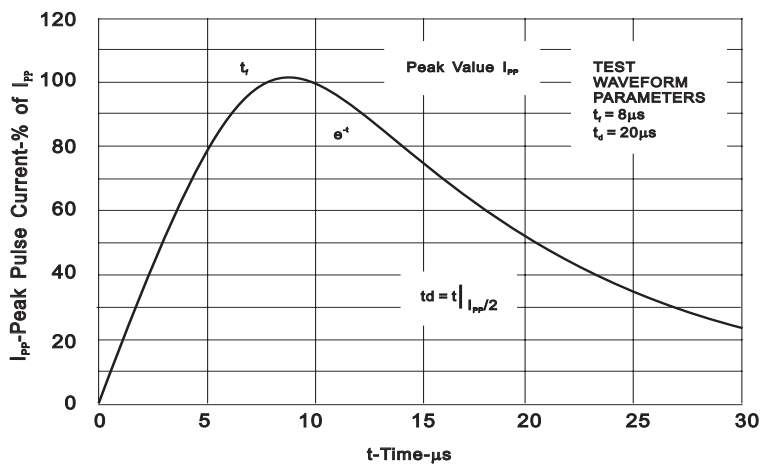


FIG.2- PULSE WAVE FORM

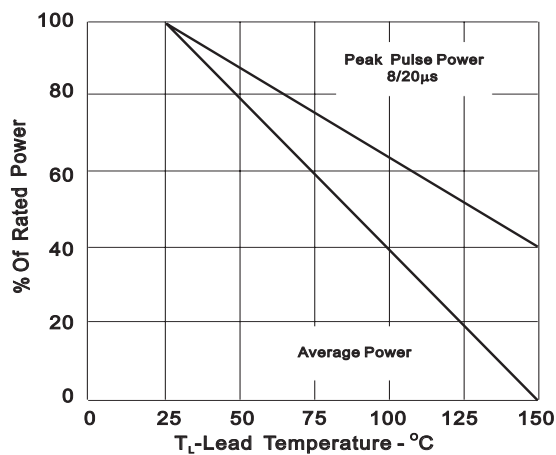
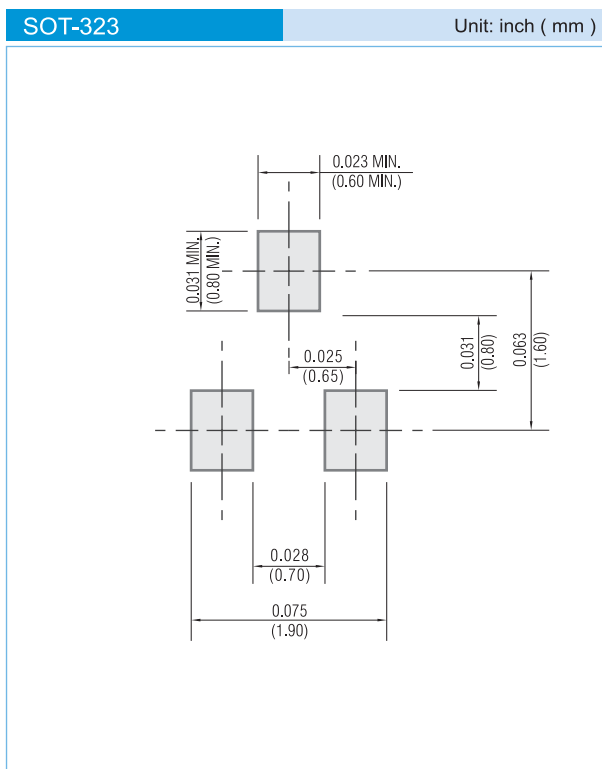


FIG.3- POWER DERATING CURVE



PJSOT05CW SERIES

MOUNTING PAD LAYOUT



ORDER INFORMATION

- Packing information
 - T/R - 12K per 13" plastic Reel
 - T/R - 3K per 7" plastic Reel

LEGAL STATEMENT

Copyright PanJit International, Inc 2009

The information presented in this document is believed to be accurate and reliable. The specifications and information herein are subject to change without notice. Pan Jit makes no warranty, representation or guarantee regarding the suitability of its products for any particular purpose. Pan Jit products are not authorized for use in life support devices or systems. Pan Jit does not convey any license under its patent rights or rights of others.