

4.9-5.8 GHz High-Linearity Power Amplifier

SST11LP12



Data Sheet

FEATURES:

- **High gain**
- **High linear output power:**
 - Meets 802.11a OFDM Spectrum Mask requirement up to 24 dBm over the entire band
 - Added EVM <4% up to 21 dBm for 54 Mbps 802.11a signal
- **High power-added efficiency/Low operating current for 6 Mbps 802.11a applications**
 - ~17% @ $P_{OUT} = 23$ dBm for 6 Mbps
- **Built-in Ultra-low I_{REF} power-up/down control**
 - $I_{REF} < 3$ mA
- **Low idle current**
 - ~150 mA I_{CQ}
- **High speed power up/down**
 - Turn on/off time (10%~90%) <100 ns
 - Typical power-up/down delay with driver delay included <200 ns
- **High temperature stability**
- **Low shut-down current (~2 μ A)**
- **On-chip power detection**
- **20 dB dynamic range on-chip power detection**
- **Simple input/output matching**
- **Packages available**
 - 16-contact WQFN (3mm x 3mm)
 - Non-Pb (lead-free) packages available

APPLICATIONS:

- **WLAN (IEEE 802.11a)**
- **Japan WLAN**
- **HyperLAN2**
- **Multimedia**

PRODUCT DESCRIPTION

The SST11LP12 is a high-power, high-gain power amplifier based on the highly-reliable InGaP/GaAs HBT technology.

The SST11LP12 can be easily configured for high-power, high-efficiency applications with superb power-added efficiency while operating over the entire 802.11a frequency band for U.S., European, and Japanese markets (4.9-5.8 GHz).

The SST11LP12 has excellent linearity, typically <4% added EVM at 21 dBm output power which is essential for 54 Mbps 802.11a operation while meeting 802.11a spectrum mask at 24 dBm. SST11LP12 also has wide-range (>20 dB), temperature-stable (~1 dB over 85°C), single-ended/differential power detectors which lower users' cost on power control.

The power amplifier IC also features easy board-level usage along with high-speed power-up/down control. Ultra-low reference current (total $I_{REF} < 3$ mA) makes the SST11LP12 controllable by an on/off switching signal directly from the baseband chip. These features coupled with low operating current make the SST11LP12 ideal for the final stage power amplification in battery-powered 802.11a WLAN transmitter and access point applications.

The SST11LP12 is offered in 16-contact WQFN package. See Figure 2 for pin assignments and Table 1 for pin descriptions.



4.9-5.8 GHz High-Linearity Power Amplifier SST11LP12

Data Sheet

FUNCTIONAL BLOCKS

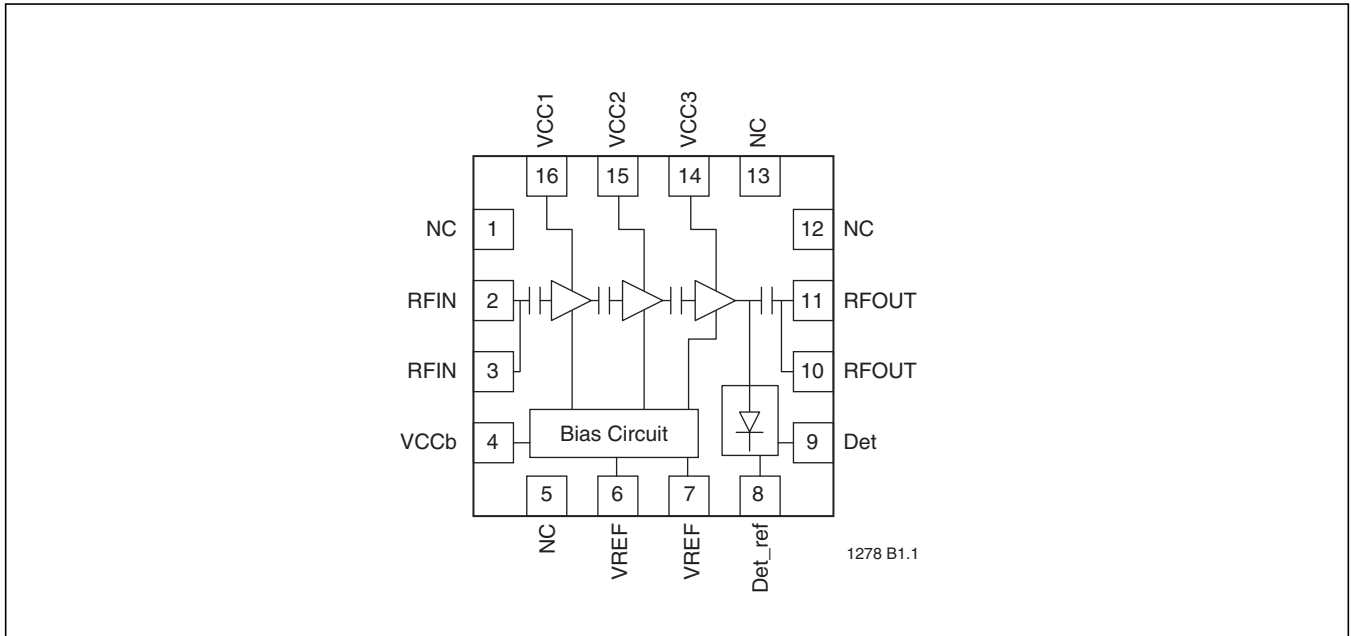


FIGURE 1: Functional Block Diagram

PIN ASSIGNMENTS

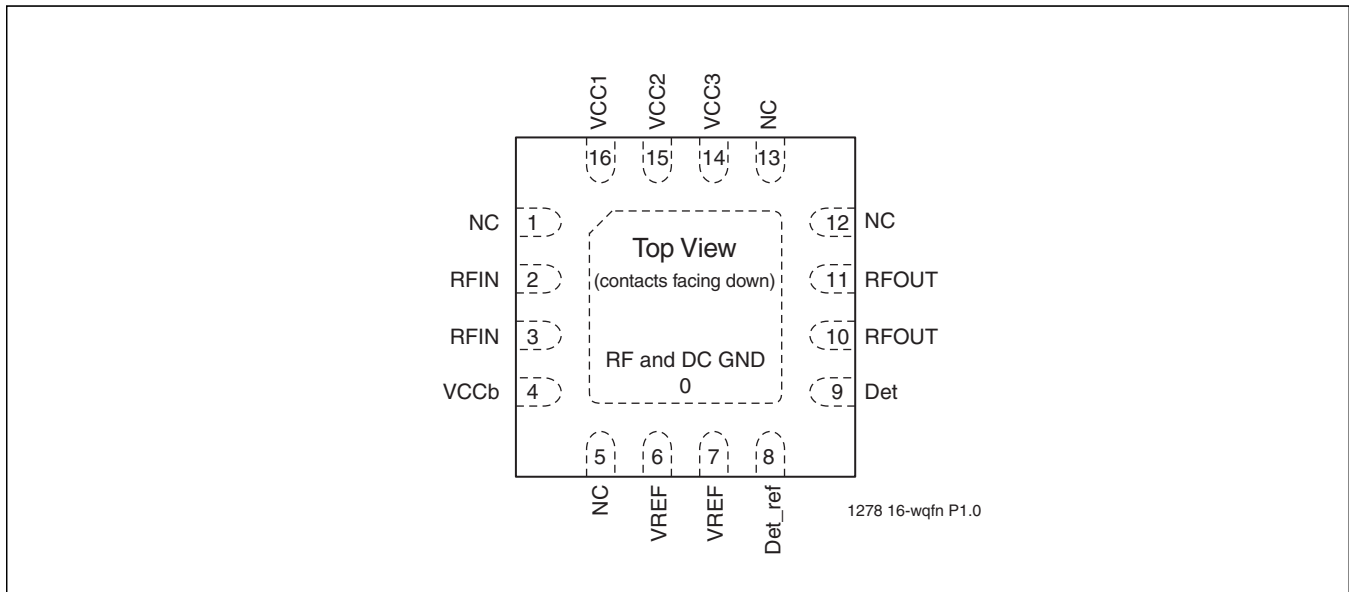


FIGURE 2: Pin Assignments for 16-contact WQFN

PIN DESCRIPTIONS

TABLE 1: Pin Description

| Symbol | Pin No. | Pin Name | Type ¹ | Function |
|---------|---------|---------------|-------------------|---|
| GND | 0 | Ground | | The center pad should be connected to RF ground with several low inductance, low resistance vias. |
| NC | 1 | No Connection | | Unconnected pin |
| RFIN | 2 | | I | RF input, DC decoupled |
| RFIN | 3 | | I | RF input, DC decoupled |
| VCCb | 4 | Power Supply | PWR | Supply voltage for bias circuit |
| NC | 5 | No Connection | | Unconnected pin |
| VREF | 6 | | PWR | Current Control |
| VREF | 7 | | PWR | Current Control |
| Det_ref | 8 | | O | On-chip power detector reference |
| Det | 9 | | O | On-chip power detector |
| RFOUT | 10 | | O | RF output |
| RFOUT | 11 | | O | RF output |
| NC | 12 | No Connection | | Unconnected pin |
| NC | 13 | No Connection | | Unconnected pin |
| VCC3 | 14 | Power Supply | PWR | Power supply, 3rd stage |
| VCC2 | 15 | Power Supply | PWR | Power supply, 2nd stage |
| VCC1 | 16 | Power Supply | PWR | Power supply, 1st stage |

1. I=Input, O=Output



4.9-5.8 GHz High-Linearity Power Amplifier SST11LP12

Data Sheet

ELECTRICAL SPECIFICATIONS

The AC and DC specifications for the power amplifier interface signals. Refer to Table 2 for the DC voltage and current specifications. Refer to Figures 3 through 8 for the RF performance.

Absolute Maximum Stress Ratings (Applied conditions greater than those listed under “Absolute Maximum Stress Ratings” may cause permanent damage to the device. This is a stress rating only and functional operation of the device at these conditions or conditions greater than those defined in the operational sections of this data sheet is not implied. Exposure to absolute maximum stress rating conditions may affect device reliability.)

Supply Voltage at pins 4, 14, 15, 16 (V_{CC}) -0.3V to +4.8V
 DC supply current (I_{CC}) 500 mA
 Operating Temperature (T_A) -40°C to +85°C
 Storage Temperature (T_{STG}) -40°C to +120°C
 Maximum Junction Temperature (T_J) +150°C
 Surface Mount Solder Reflow Temperature 260°C for 10 seconds

OPERATING RANGE

| Range | Ambient Temp | V_{CC} |
|------------|----------------|----------|
| Industrial | -40°C to +85°C | 3.3V |

TABLE 2: DC Electrical Characteristics

| Symbol | Parameter | Min. | Typ | Max. | Unit | Test Conditions |
|-----------|--|------|------|------|---------|-----------------|
| V_{CC} | Supply Voltage at pins 4, 14, 15, 16 | 2.7 | 3.3 | 3.6 | V | |
| I_{CC} | Supply Current @ $P_{OUT} = 23$ dBm at $V_{CC} = 3.3V$ | | | 400 | mA | |
| I_{CQ} | V_{CC} quiescent current | | 150 | | mA | |
| I_{OFF} | Shut down current | | <1.0 | | μA | |
| V_{REG} | Reference Voltage for recommended application | | 2.85 | 3.0 | V | |

T2.0 1278



4.9-5.8 GHz High-Linearity Power Amplifier SST11LP12

Data Sheet

TABLE 3: AC Electrical Characteristics for Configuration¹

| Symbol | Parameter | Min | Typ | Max | Unit |
|------------------|---|-----|-----|-----|------|
| F _{L-U} | Frequency range | 4.9 | | 5.8 | GHz |
| Linearity | Output power with <4% EVM at 54 Mbps OFDM signal when operating at 3.3V V _{CC} | | 21 | | dBm |
| | Output power level with 802.11a mask compliance across 4.9-5.8 GHz | | 23 | | dBm |
| G | Gain over band (4.9-5.1 MHz) | | 33 | | dB |
| | Gain over band (5.3-5.5 MHz) | | 31 | | dB |
| | Gain over band (5.7-5.8 MHz) | | 27 | | dB |
| Det | Power detector output voltage range | 0.5 | | 2.0 | V |
| Det_ref | Power detector output reference | 0.5 | 0.6 | | V |
| 2f, 3f, 4f, 5f | Harmonics at 22 dBm, without trapping capacitors | | -50 | | dBc |

T3.1 1278

1. Performance is only valid using the recommended schematic. V_{CC} = 3.3V, V_{REG} = 2.85, Temperature = 25°C



4.9-5.8 GHz High-Linearity Power Amplifier SST11LP12

Data Sheet

TYPICAL PERFORMANCE CHARACTERISTICS

Test Conditions: $V_{CC} = 3.3V$, $T_A = 25^\circ C$, $V_{REG1,2} = 2.85V$ unless otherwise noted

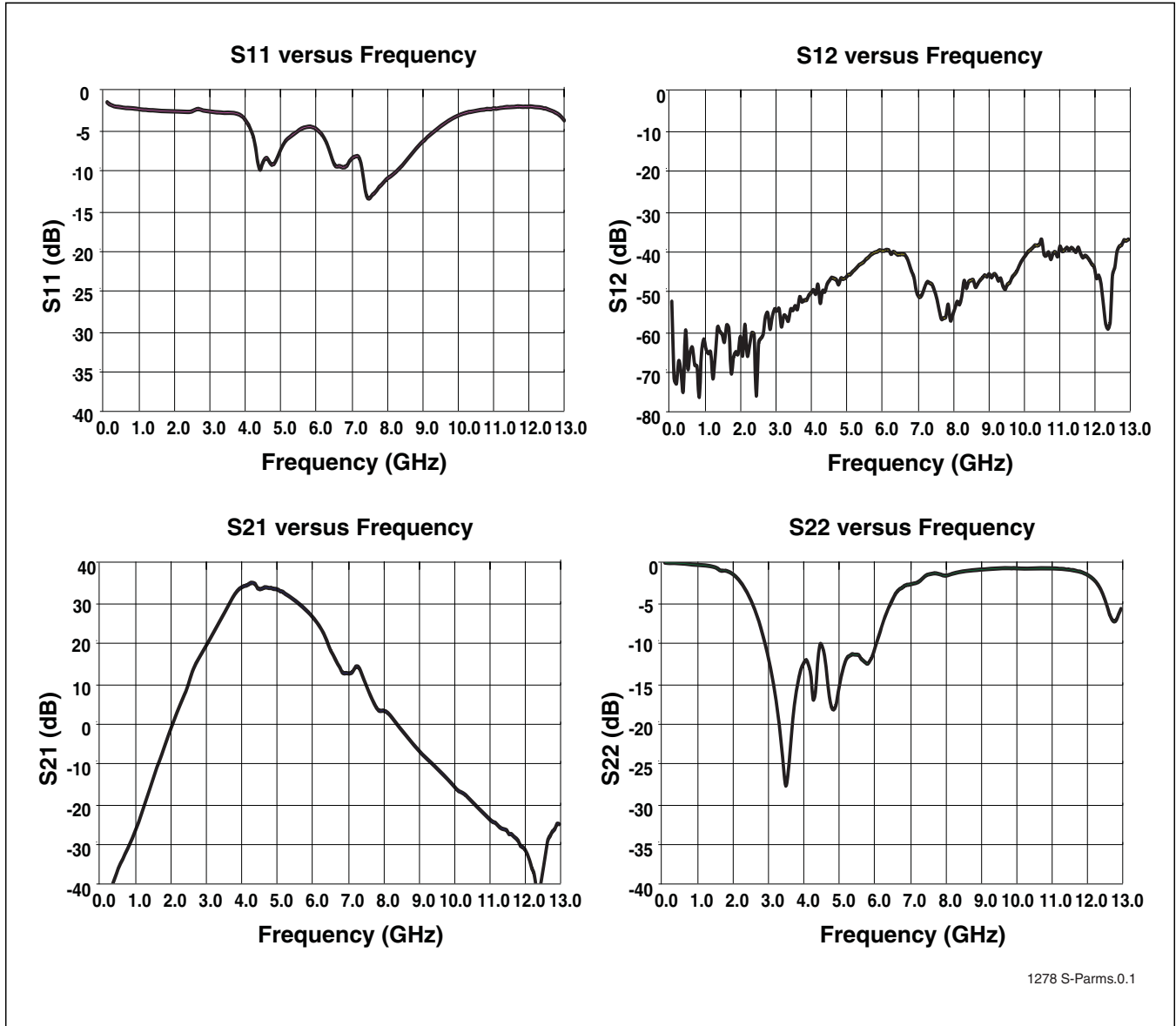


FIGURE 3: S-Parameters

4.9-5.8 GHz High-Linearity Power Amplifier SST11LP12



Data Sheet

TYPICAL PERFORMANCE CHARACTERISTICS

Test Conditions: $V_{CC} = 3.3V$, $T_A = 25^\circ C$, $V_{REG} = 2.85V$ unless otherwise specified
EVM for 54 Mbps operation

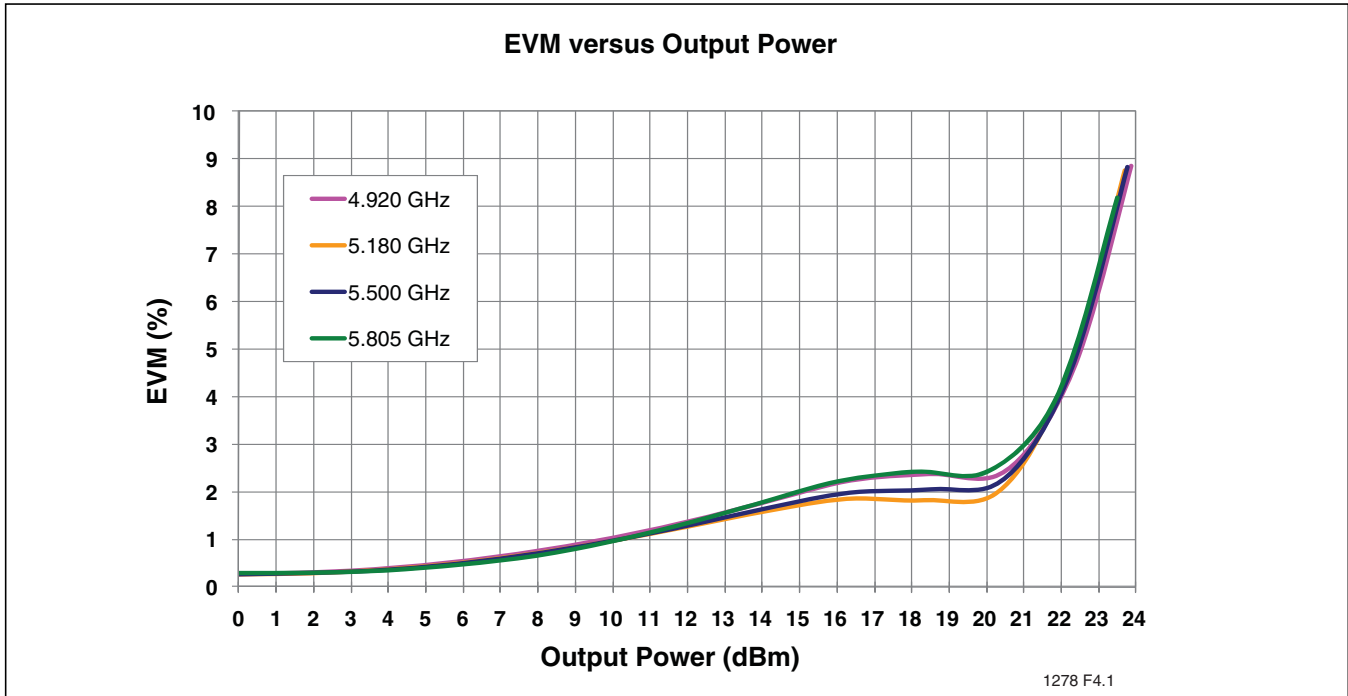


FIGURE 4: EVM versus Output Power

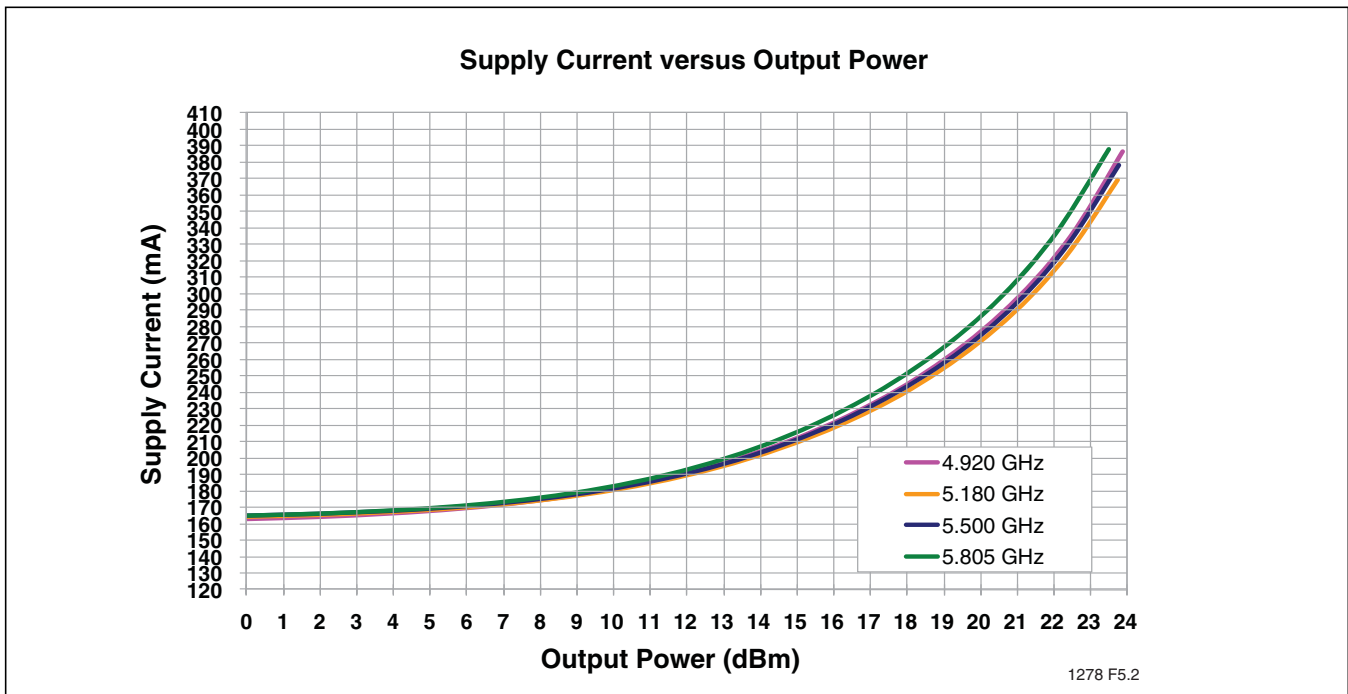


FIGURE 5: Power Supply Current versus Output Power

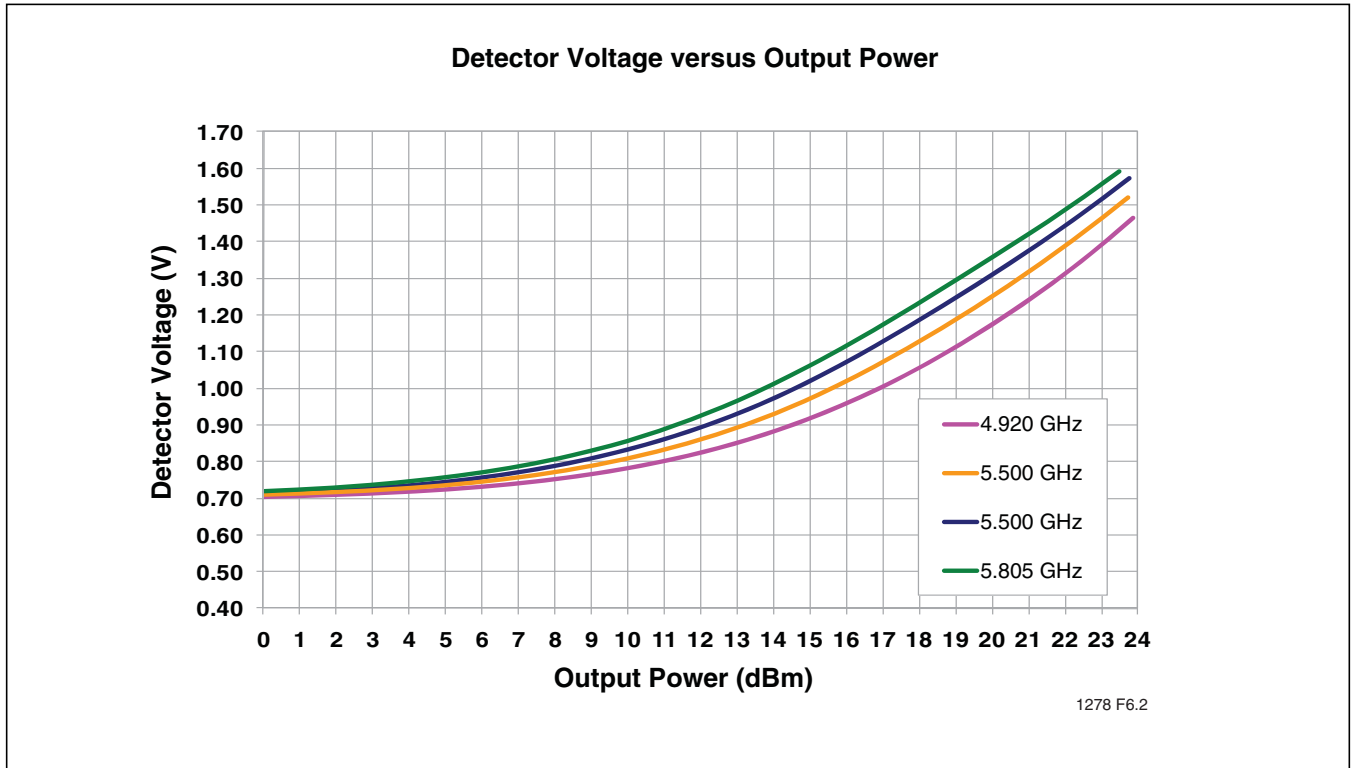


FIGURE 6: Detector Voltage versus Output Power

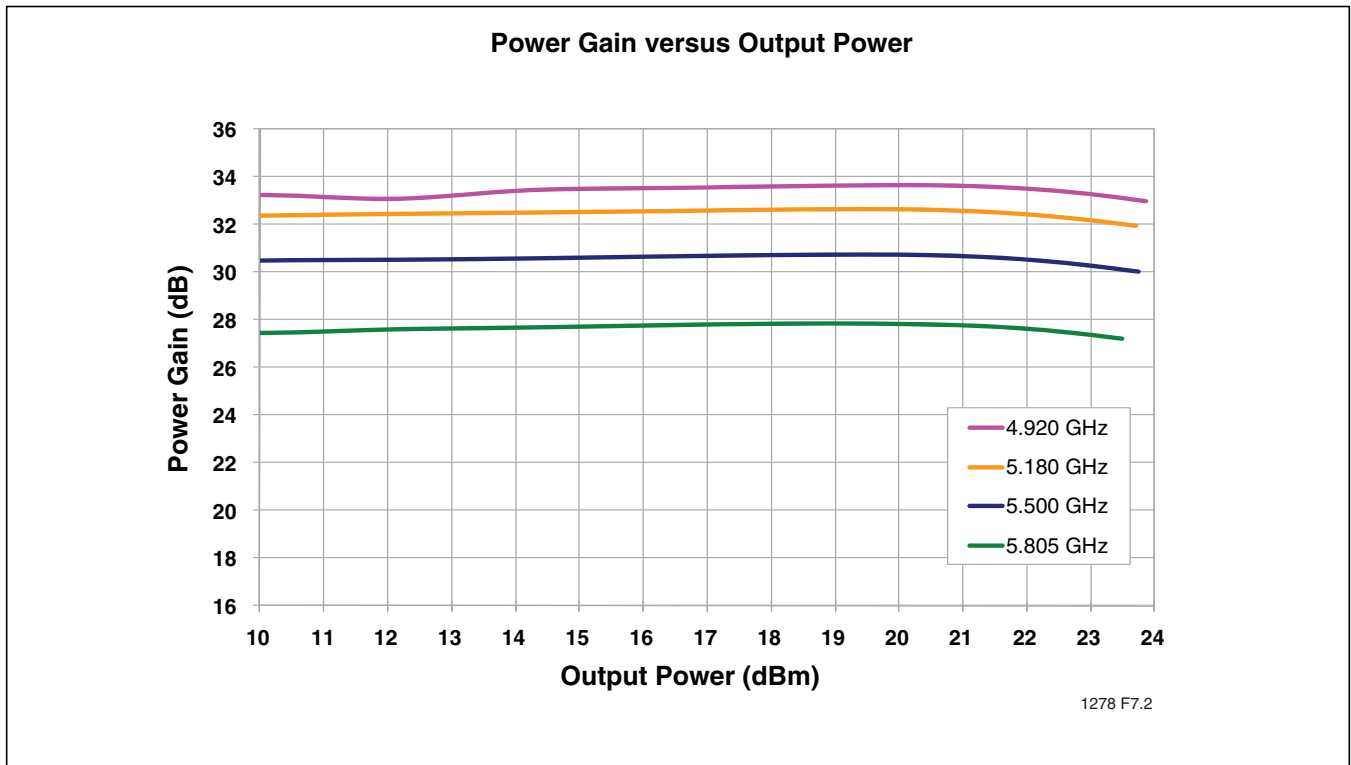


FIGURE 7: Power Gain versus Output Power

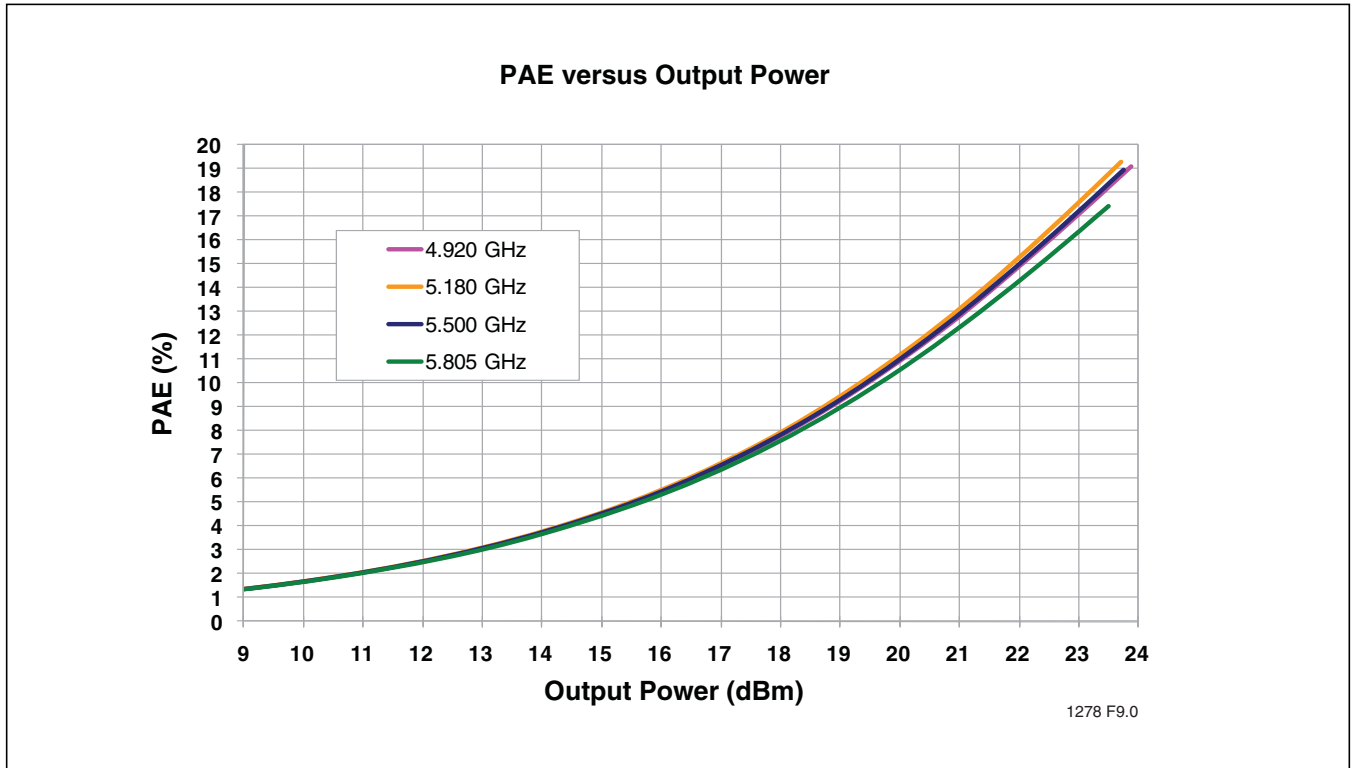


FIGURE 8: PAE versus Output Power

TABLE 4: 802.11a 6Mbps OFDM Mask Compliance Power

| Frequency (GHz) | 802.11a 6Mbps OFDM Mask Compliance Power (dBm) |
|-----------------|--|
| 4.920 | 24 |
| 5.180 | 23.8 |
| 5.500 | 23.5 |
| 5.805 | 23 |

T4.0 1278



4.9-5.8 GHz High-Linearity Power Amplifier SST11LP12

Data Sheet

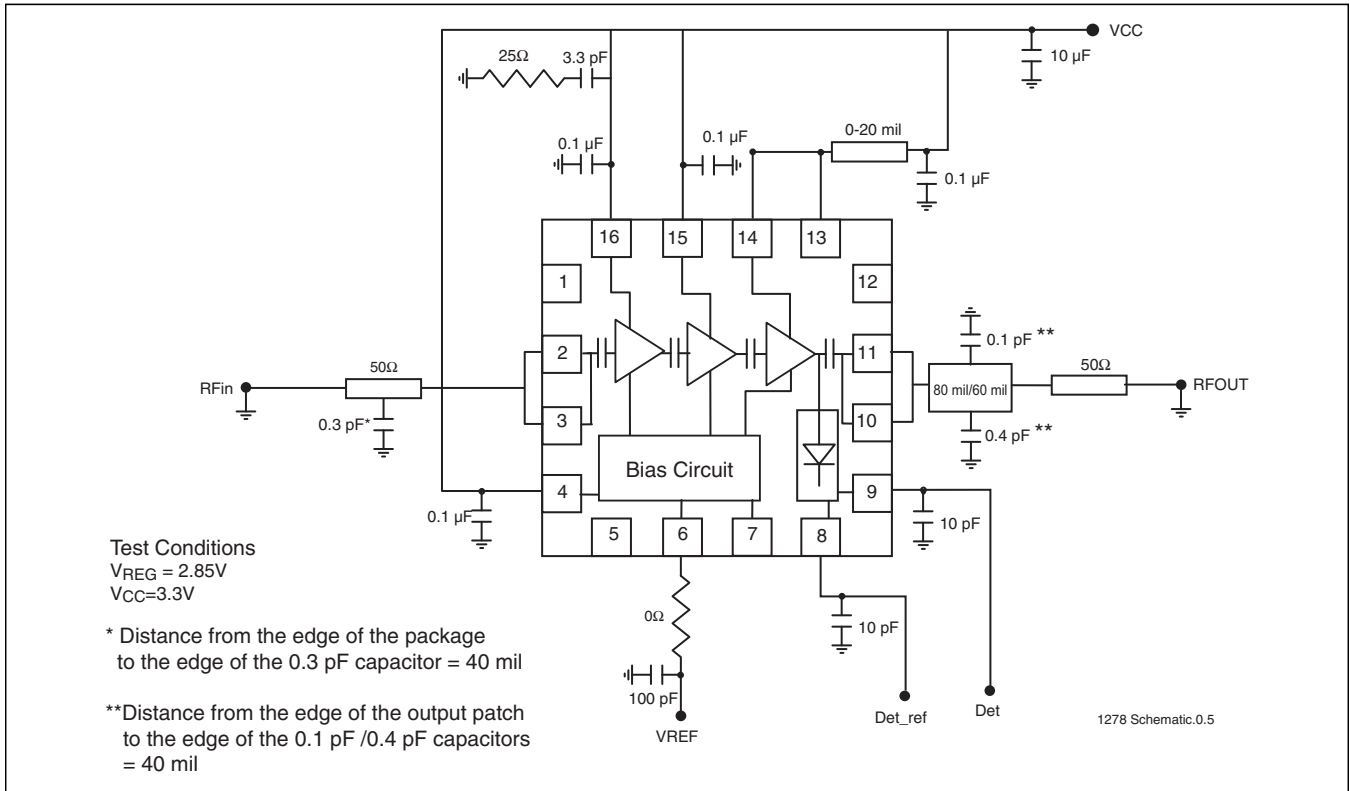


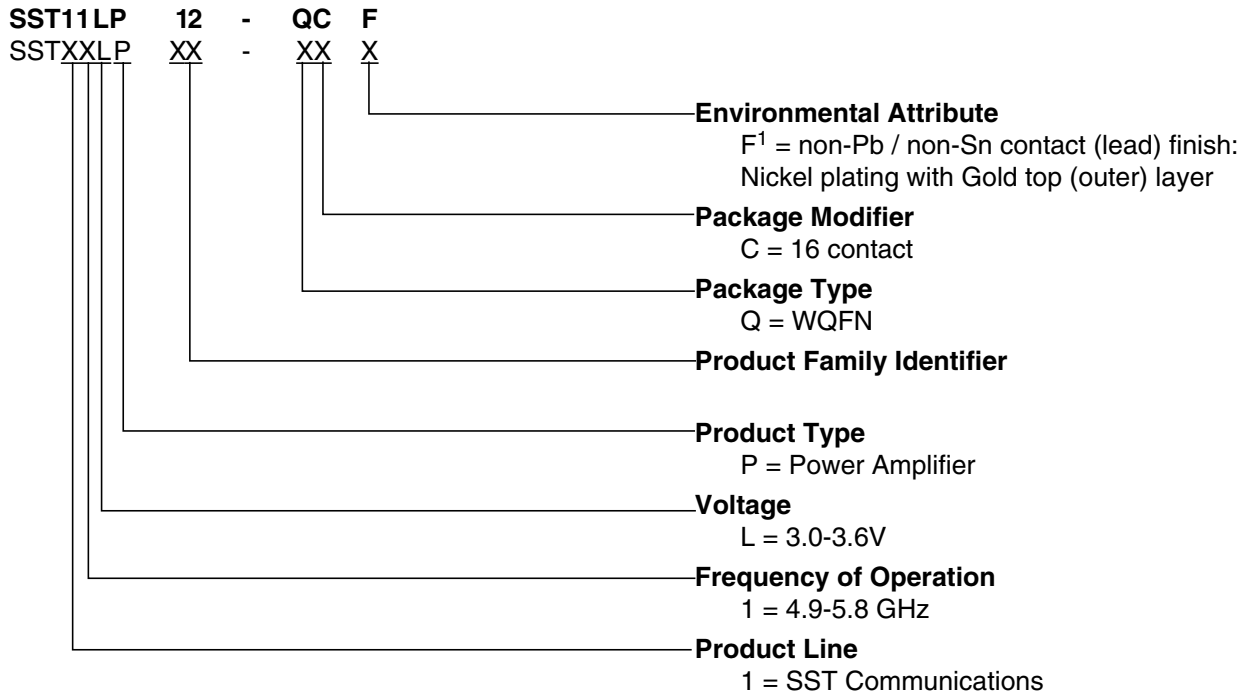
FIGURE 9: Recommended Schematic for High-Power 802.11a Application



4.9-5.8 GHz High-Linearity Power Amplifier SST11LP12

Data Sheet

PRODUCT ORDERING INFORMATION



1. Environmental suffix "F" denotes non-Pb/non-Sn solder. SST non-Pb/non-Sn solder devices are "RoHS Compliant".

Valid combinations for SST11LP12

SST11LP12-QCF

SST11LP12 Evaluation Kits

SST11LP12-QCF-K

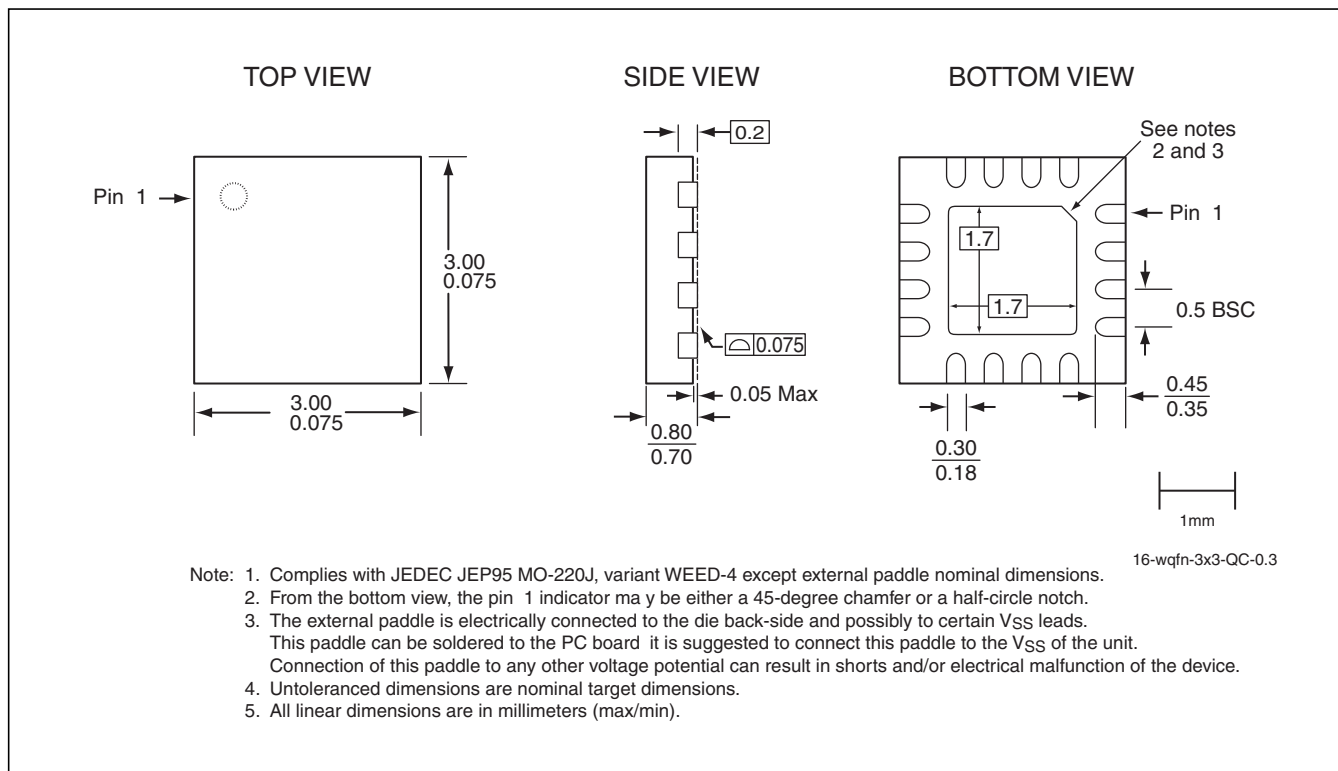
Note: Valid combinations are those products in mass production or will be in mass production. Consult your SST sales representative to confirm availability of valid combinations and to determine availability of new combinations.



4.9-5.8 GHz High-Linearity Power Amplifier SST11LP12

Data Sheet

PACKAGING DIAGRAMS



**FIGURE 10: 16-contact Very-thin Quad Flat No-lead (WQFN)
SST Package Code: QC**

TABLE 5: Revision History

| Revision | Description | Date |
|----------|--|----------|
| 00 | <ul style="list-style-type: none"> S71278: SST conversion of data sheet GP1112 | Jan 2005 |
| 01 | <ul style="list-style-type: none"> Corrected the spectrum mask value in "Product Description" on page 1 to read 802.11a Corrected the solder reflow temperature under "Absolute Maximum Stress Ratings" on page 4 Updated sales and marketing contact information Changed VQFN to WQFN Updated Product Ordering information Updated Table 3 on page 5. | Jan 2006 |
| 02 | <ul style="list-style-type: none"> Updated document status from Preliminary Specifications to Data Sheet | Mar 2008 |
| 03 | <ul style="list-style-type: none"> Revised gain values in "Features:" and "Product Description" on page 1 and in Table 3 on page 5 Updated "" on page 12 | Feb 2009 |
| 04 | <ul style="list-style-type: none"> Updated Features, Table 2, Table 3, Table 4, and Figures 4-9 to indicate improved RF performance. | Dec 2010 |

Silicon Storage Technology, Inc.
www.SuperFlash.com or www.sst.com