

PLEASE CHECK WWW.MOLEX.COM FOR LATEST PART INFORMATION

Part Number: [0190410016](#)
Status: **Active**
Description: Krimptite™ Ring Tongue Terminal Flag for 10-12 AWG Wire, Stud Size 1/4"

Documents:

[Drawing \(PDF\)](#) [RoHS Certificate of Compliance \(PDF\)](#)

General

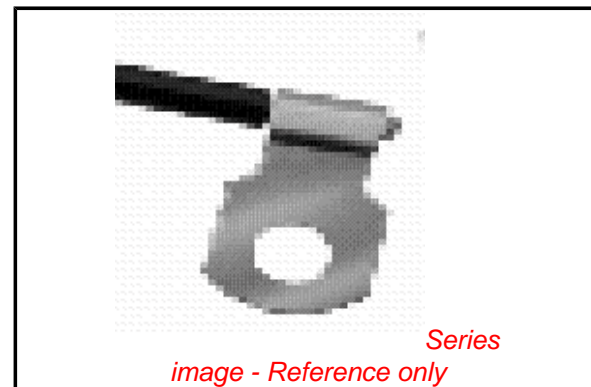
Product Family	Ring and Spade Terminals
Series	19041
Crimp Quality Equipment	Yes
Mil-Spec	N/A
Product Name	Krimptite™
Type	Ring

Physical

Barrel Type	Closed
Insulation	None
Material - Plating Mating	Tin
Packaging Type	Bag
Plating min: Mating (µin)	160
Plating min: Mating (µm)	4
Plating min: Termination (µin)	160
Plating min: Termination (µm)	4
Stud Size	1/4" (M6)
Termination Interface: Style	Crimp or Compression
Wire Size AWG	10, 12
Wire Size mm²	4.00 - 6.00

Material Info

Old Part Number	C-144-14
-----------------	----------



EU RoHS

**ELV and RoHS
Compliant**
**REACH SVHC
Contains SVHC: No**
**Halogen-Free
Status**

China RoHS



**Need more information on product
environmental compliance?**

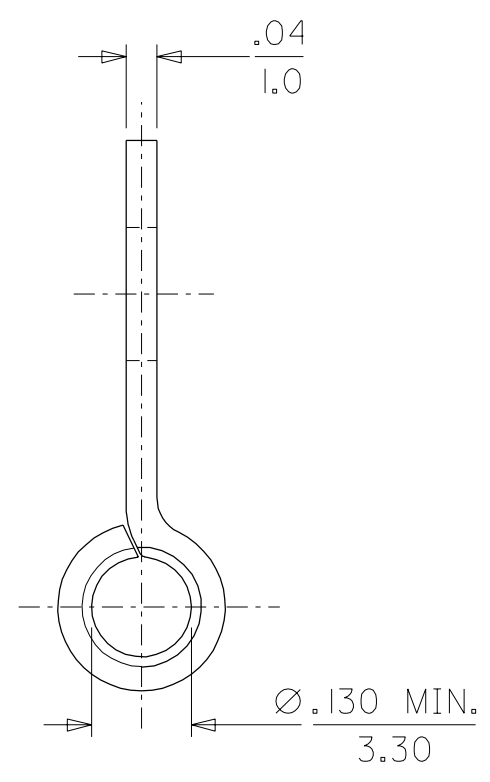
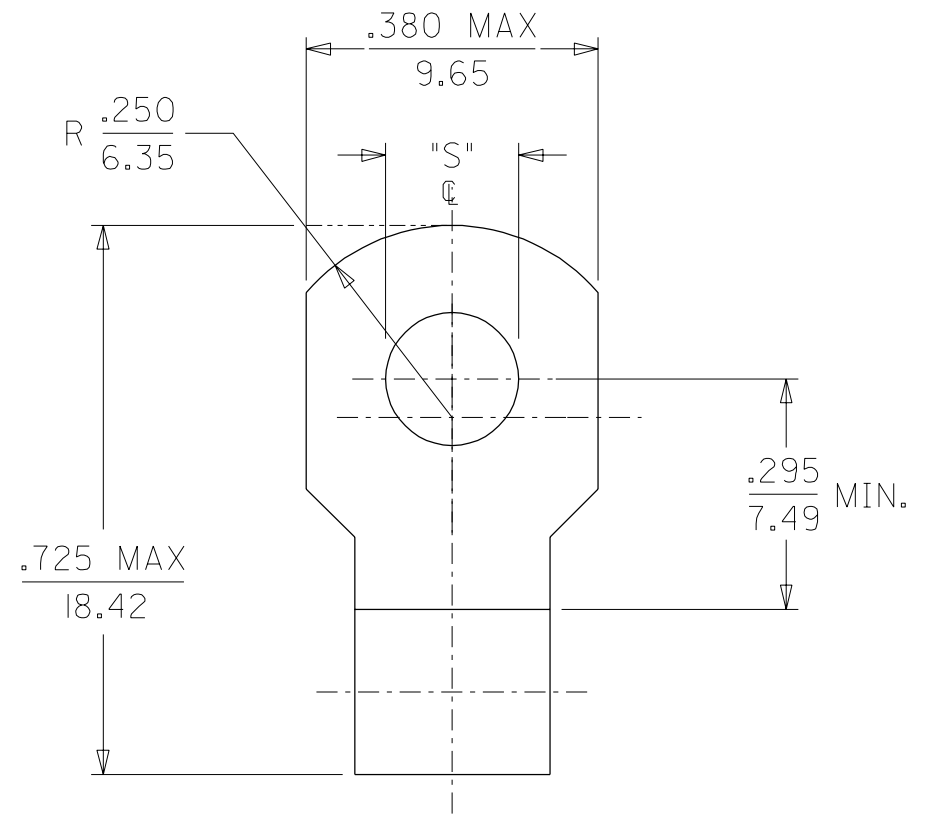
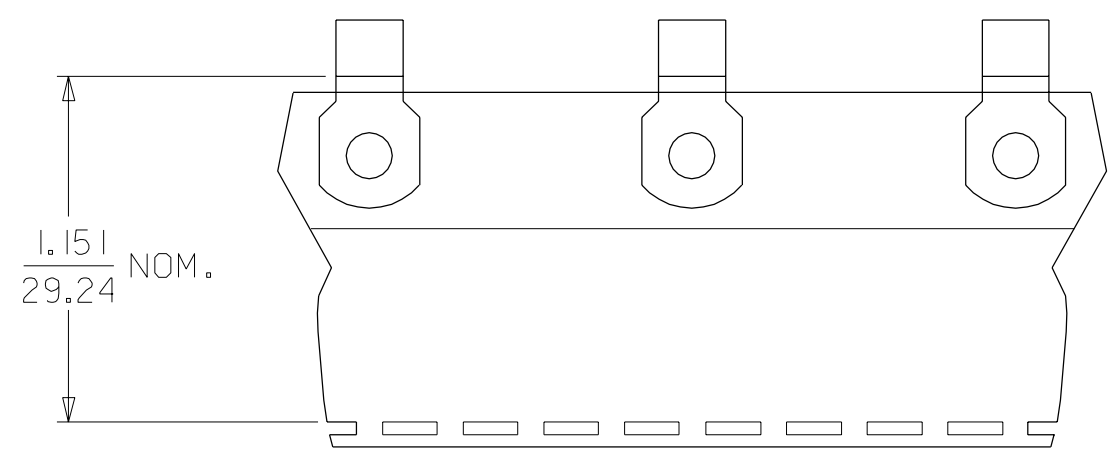
Email productcompliance@molex.com
 For a multiple part number RoHS Certificate of Compliance, [click here](#)

Please visit the [Contact Us](#) section for any non-product compliance questions.

Search Parts in this Series
[19041Series](#)

MATERIAL NUMBER	ENGINEERING NUMBER	STUD SIZE	"S" ±.002	DESCRIPTION
190410013	C-144-06	6	.146 (3.70)	LOOSE PIECE
190410014	C-144-08	8	.173 (4.39)	
190410015	C-144-10	10	.198 (5.03)	
190410016	C-144-14	14	.265 (6.73)	BRAZED SEAM (LOOSE PIECE)
190410033	C-344-06	6	.146 (3.70)	
190410034	C-344-08	8	.173 (4.39)	
190410035	C-344-10	10	.198 (5.03)	BRAZED SEAM (TAPE MOUNTED)
190410036	C-344-14	14	.265 (6.73)	
190410037	C-344-06T	6	.146 (3.70)	
190410038	C-344-08T	8	.173 (4.39)	
190410039	C-344-10T	10	.198 (5.03)	
190410040	C-344-14T	14	.265 (6.73)	

NOTE(S):
 1. MATERIAL: COPPER.
 PLATING: ELECTROPLATE TIN.
 2. ALL DIMENSIONS IN INCHES/(M/M).



SALES DRAWING

RELEASE TO BUILD EC NO. ETC2001-0405 DRWN: DLM 01/07/12 CHK: SB 01/07/12 APPR: RWD 01/07/12	QUALITY SYMBOLS MAJOR = ∇ CRITICAL = ▽	GENERAL TOLERANCES: (UNLESS SPECIFIED)		SCALE: NTS	DESIGN UNITS: <input type="checkbox"/> mm <input checked="" type="checkbox"/> INCH	DIMENSIONS: <input type="checkbox"/> mm <input checked="" type="checkbox"/> INCH <input type="checkbox"/> mm ONLY	SHT: REV:	
		4 PLACES ±0.----- ±.-----	3 PLACES ±0. --- ±.005	2 PLACES ±0.13 ±.01	1 PLACE ±0.25 ±.-----	DRAWN BY & DATE: DLM 01/07/12	TITLE: FLAG RING TERMINAL KRIMPTITE & VERSAKRIMP 12-10 AWG	
		ANGULAR: ±1/2°				CHECKED BY & DATE: SB 01/07/12	MOLEX INCORPORATED	
		DRAFT WHERE APPLICABLE MUST REMAIN WITHIN DIMENSIONS				APPROVED BY & DATE: RWD 01/07/12	CAD FILENAME: SD19041001.DGN	MATERIAL NO. (SEE CHART)

THIS DRAWING CONTAINS INFORMATION THAT IS PROPRIETARY TO MOLEX INCORPORATED AND SHOULD NOT BE USED WITHOUT WRITTEN PERMISSION.