

**PLEASE CHECK WWW.MOLEX.COM FOR LATEST PART INFORMATION**

**Part Number:** [0719790312](#)  
**Status:** **Active**  
**Overview:** [cgrid\\_sl\\_products](#)  
**Description:** 2.54mm (.100") Pitch C-Grid® Receptacle, Surface Mount, Dual Row, Right Angle, 24 Circuits

**Documents:**

[3D Model](#) [Product Specification PS-71973-9999 \(PDF\)](#)  
[Drawing \(PDF\)](#) [RoHS Certificate of Compliance \(PDF\)](#)

**General**

Product Family PCB Receptacles  
 Series [71979](#)  
 Application Board-to-Board  
 Overview [cgrid\\_sl\\_products](#)  
 Product Name C-Grid®

**Physical**

Circuits (Loaded) 24  
 Glow-Wire Compliant No  
 Material - Metal Phosphor Bronze  
 Material - Plating Mating Gold  
 Material - Plating Termination Tin  
 Material - Resin High Temperature Thermoplastic  
 Number of Rows 2  
 Orientation Right Angle  
 PC Tail Length (in) 0.044 In  
 PC Tail Length (mm) 1.12 mm  
 PCB Locator Yes  
 PCB Retention Yes  
 Packaging Type Tube  
 Pitch - Mating Interface (in) 0.100 In  
 Pitch - Mating Interface (mm) 2.54 mm  
 Pitch - Term. Interface (in) 0.100 In  
 Pitch - Term. Interface (mm) 2.54 mm  
 Plating min: Mating (µin) 30  
 Plating min: Mating (µm) 0.76  
 Plating min: Termination (µin) 75  
 Plating min: Termination (µm) 1.90  
 Polarized to PCB No  
 Stackable Yes  
 Surface Mount Compatible (SMC) N/A  
 Temperature Range - Operating -40°C to +105°C  
 Termination Interface: Style Surface Mount

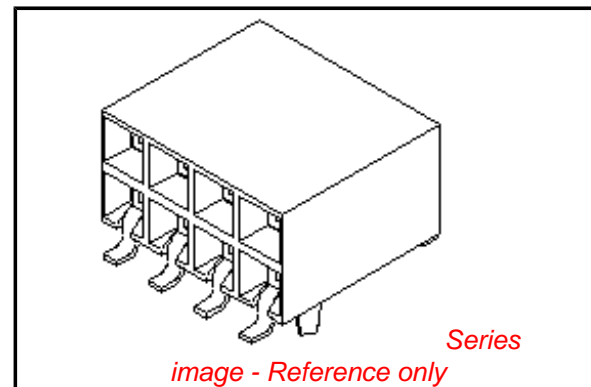
**Electrical**

Current - Maximum per Contact 1A, 2A, 3A  
 Voltage - Maximum 500V AC

**Solder Process Data**

Duration at Max. Process Temperature (seconds) 10  
 Lead-free Process Capability Reflow Capable (SMT only)  
 Max. Cycles at Max. Process Temperature 3  
 Process Temperature max. C 260

**Material Info**



**EU RoHS**

**ELV and RoHS  
Compliant**  
**REACH SVHC  
Contains SVHC: No**  
**Halogen-Free  
Status  
Not Reviewed**

**China RoHS**



**Need more information on product  
environmental compliance?**

Email [productcompliance@molex.com](mailto:productcompliance@molex.com)  
 For a multiple part number RoHS Certificate of Compliance, [click here](#)

Please visit the [Contact Us](#) section for any non-product compliance questions.

**Search Parts in this Series**

[71979Series](#)

**Mates With**

[87911 Header](#)

**Reference - Drawing Numbers**

Product Specification  
Sales Drawing

PS-71973-9999  
SDA-71979-\*\*\*\*

This document was generated on 05/31/2010

**PLEASE CHECK [WWW.MOLEX.COM](http://WWW.MOLEX.COM) FOR LATEST PART INFORMATION**

4 DIGIT DATE CODE ON THIS SURFACE. MUST BE SOLVENT RESISTANT



SECTION Z-Z



OPTION A ASSEMBLY

(ASSEMBLY WITH PEG AND WITHOUT LOWER ROW PINSTOP)

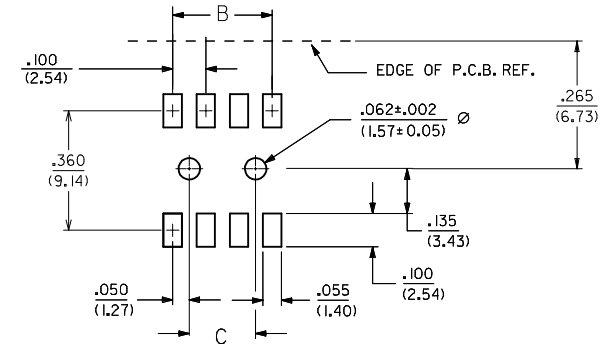
NOTES:

- 1.) MATERIALS:  
HOUSING - LCP, 94V-0, BLACK  
TERMINAL - PHOS. BRONZE ALLOY
- 2.) 8 CKT SHOWN FOR ILLUSTRATION PURPOSES. SEE CHART ON SHEET 7 FOR OTHER SIZES.
- 3.) SCRATCHES AND BURNISHING ALLOWED ON TERMINAL TAILS PROVIDING BASE METAL IS NOT EXPOSED, EXCEPT AT TRIMMED END.
- 4.) RECOMMENDED MATING PIN LENGTHS:  
LOWER ROW - .200" MIN./ .285" MAX.  
UPPER ROW - .200" MIN.
- 5.) REFER TO PS-71973-9999 FOR PERFORMANCE DATA.

PLATING:

- 15 GOLD 15 MICROINCH MINIMUM SELECTIVE GOLD IN THE CONTACT AREA; 75 MICROINCH MINIMUM SELECTIVE TIN IN THE PC TAIL AREA OVER 50 MICROINCH MINIMUM NICKEL OVERALL.
- 30 GOLD 30 MICROINCH MINIMUM SELECTIVE GOLD IN THE CONTACT AREA; 75 MICROINCH MINIMUM SELECTIVE TIN IN THE PC TAIL AREA OVER 50 MICROINCH MINIMUM NICKEL OVERALL.
- 50 GOLD 50 MICROINCH MINIMUM SELECTIVE GOLD IN THE CONTACT AREA; 75 MICROINCH MINIMUM SELECTIVE TIN IN THE PC TAIL AREA OVER 50 MICROINCH MINIMUM NICKEL OVERALL.

\*THE PRIMARY SHIPPING CARTON WILL BE LABELED "COMPLIANT TO RoHS DIRECTIVE 2002/95/EC AND ELV ANNEX II OF DIRECTIVE 2000/53/EC". CARTONS WITHOUT THIS LABEL MAY CONTAIN PRODUCT WITH LEAD.



RECOMMENDED P.C.B. LAYOUT

|   |   |                   |  |   |   |       |              |                        |
|---|---|-------------------|--|---|---|-------|--------------|------------------------|
| REVISED<br>EC NO: S2009-0814<br>DRWN:SKANG<br>CHYKD:ATSEE<br>APPR:MLONG | 2009/09/01<br>2009/09/04<br>2009/09/05  | DESCRIPTION<br>H2 | QUALITY SYMBOLS  | GENERAL TOLERANCES (UNLESS SPECIFIED)   | DIMENSION STYLE   | SCALE | DESIGN UNITS | THIRD ANGLE PROJECTION |
|   | ▽=0<br>Ⓢ=0  |                   | mm      INCH<br>4 PLACES ± --- ± ---<br>3 PLACES ± --- ± ---<br>2 PLACES ± --- ± .01<br>1 PLACE ± 0.25 ± ---<br>ANGULAR ± 1/2° | IN/MM<br>DRAWN BY: DJB      DATE: 1995/03/15<br>CHECKED BY:      DATE: 1995/03/15<br>APPROVED BY:      DATE: 1995/03/15 | NTS<br>TITLE: SMT RECEPTACLE<br>RIGHT ANGLE, DUAL ROW<br>WITH AND WITHOUT PEG |       |              |                        |
|   | DRAFT WHERE APPLICABLE<br>MUST REMAIN<br>WITHIN DIMENSIONS  |                   | SEE TABLE  | MATERIAL NO.      DOCUMENT NO.      SHEET NO.<br>SDA-71979-****      1 OF 12  | MOLEX INCORPORATED  |       |              |                        |
|   | THIS DRAWING CONTAINS INFORMATION THAT IS PROPRIETARY TO MOLEX INCORPORATED AND SHOULD NOT BE USED WITHOUT WRITTEN PERMISSION |                   |  |   |   |       |              |                        |

4 DIGIT DATE CODE ON THIS SURFACE. MUST BE SOLVENT RESISTANT



SECTION Y-Y



OPTION B ASSEMBLY

(ASSEMBLY WITH PEG AND LOWER ROW PINSTOP)



RECOMMENDED P.C.B. LAYOUT

**NOTES:**

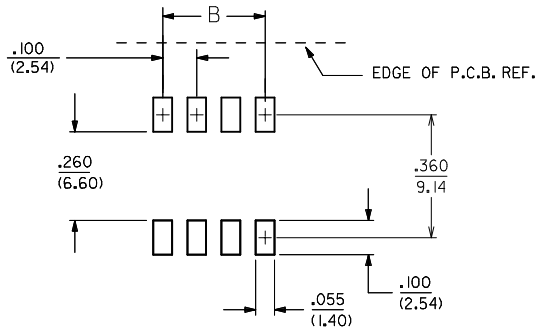
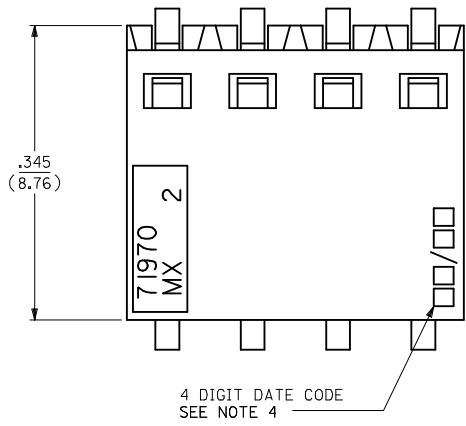
- 1.) MATERIALS:  
HOUSING - LCP, 94V-0, BLACK  
TERMINAL - PHOS. BRONZE ALLOY
- 2.) 8 CKT SHOWN FOR ILLUSTRATION PURPOSES. SEE CHART ON SHEET 8 FOR OTHER SIZES.
- 3.) SCRATCHES AND BURNISHING ALLOWED ON TERMINAL TAILS PROVIDING BASE METAL IS NOT EXPOSED.
- 4.) RECOMMENDED MATING PIN LENGTHS:  
LOWER ROW - .200\* MIN./ .250\* MAX.  
UPPER ROW - .200\* MIN.
- 5.) REFER TO PS-71973-9999 FOR PERFORMANCE DATA.

**PLATING:**

- 15 GOLD 15 MICROINCH MINIMUM SELECTIVE GOLD IN THE CONTACT AREA; 75 MICROINCH MINIMUM SELECTIVE TIN IN THE PC TAIL AREA OVER 50 MICROINCH MINIMUM NICKEL OVERALL.
  - 30 GOLD 30 MICROINCH MINIMUM SELECTIVE GOLD IN THE CONTACT AREA; 75 MICROINCH MINIMUM SELECTIVE TIN IN THE PC TAIL AREA OVER 50 MICROINCH MINIMUM NICKEL OVERALL.
  - 50 GOLD 50 MICROINCH MINIMUM SELECTIVE GOLD IN THE CONTACT AREA; 75 MICROINCH MINIMUM SELECTIVE TIN IN THE PC TAIL AREA OVER 50 MICROINCH MINIMUM NICKEL OVERALL.
- \*THE PRIMARY SHIPPING CARTON WILL BE LABELED 'COMPLIANT TO RoHS DIRECTIVE 2002/95/EC AND ELY ANNEX II OF DIRECTIVE 2000/53/EC'. CARTONS WITHOUT THIS LABEL MAY CONTAIN PRODUCT WITH LEAD.

|  |  |                               |                                       |                    |  |                                |                      |                      |                        |  |  |
|--|--|-------------------------------|---------------------------------------|--------------------|--|--------------------------------|----------------------|----------------------|------------------------|--|--|
| REVISED<br>EC NO: S2009-0814<br>DRWN:SKANG<br>CHKD:ATSEE<br>APPR:MLONG | 2009/09/01<br>2009/09/04<br>2009/09/05   | QUALITY SYMBOLS<br>▽=0<br>C=0 | GENERAL TOLERANCES (UNLESS SPECIFIED) |                    | DIMENSION STYLE<br>IN/MM   |                                | SCALE<br>NTS         | DESIGN UNITS<br>INCH | THIRD ANGLE PROJECTION |  |  |
|  | 4 PLACES ± --- ± ---<br>3 PLACES ± --- ± ---<br>2 PLACES ± --- ± .01<br>1 PLACE ± 0.25 ± --- |                               | DRAWN BY<br>DJB                       | DATE<br>1995/03/15 | TITLE<br>SMT RECEPTACLE<br>RIGHT ANGLE, DUAL ROW<br>WITH AND WITHOUT PEG |                                |                      |                      |                        |  |  |
|  | ANGULAR ± 1/2°   |                               | CHECKED BY<br>DJB                     | DATE<br>1995/03/15 | MOLEX INCORPORATED   |                                |                      |                      |                        |  |  |
|  | DRAFT WHERE APPLICABLE<br>MUST REMAIN<br>WITHIN DIMENSIONS                                   |                               | APPROVED BY<br>DJB                    | DATE<br>1995/03/15 | MATERIAL NO.<br>SEE TABLE  | DOCUMENT NO.<br>SDA-71979-**** | SHEET NO.<br>2 OF 12 |                      |                        |  |  |

10 9 8 7 6 5 4 3 2 1

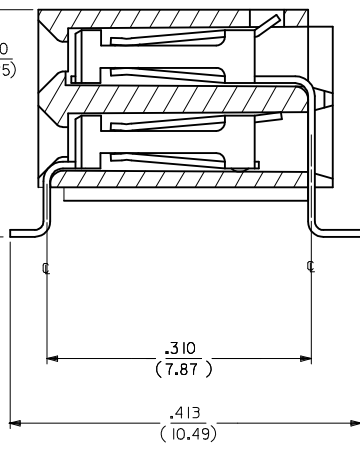
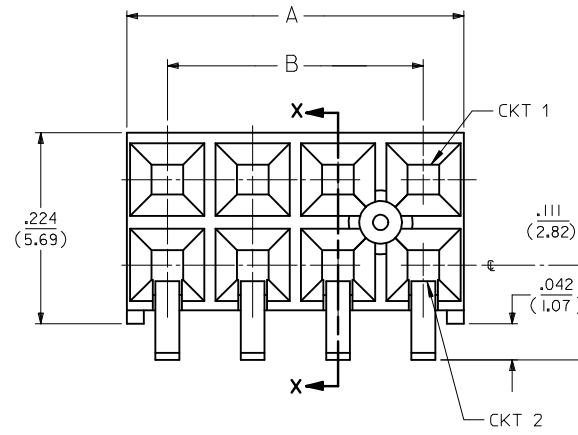


NOTES:

- 1.) MATERIALS:  
HOUSING - LCP, 94V-0, BLACK.  
TERMINAL - PHOS. BRONZE ALLOY
- 2.) 8 CKT SHOWN FOR ILLUSTRATION PURPOSES. SEE CHART ON SHEET 9 FOR OTHER SIZES.
- 3.) SCRATCHES AND BURNISHING ALLOWED ON TERMINAL TAILS PROVIDING BASE METAL IS NOT EXPOSED.
- 4.) MANUFACTURED DATE CODE WEEK/YEAR.
- 5.) RECOMMENDED MATING PIN LENGTHS:  
LOWER ROW - .200" MIN./ .285" MAX.  
UPPER ROW - .200" MIN.
- 6.) REFER TO PS-71973-9999 FOR PERFORMANCE DATA.

PLATING:

- 15 GOLD 15 MICROINCH MINIMUM SELECTIVE GOLD IN THE CONTACT AREA; 75 MICROINCH MINIMUM SELECTIVE TIN IN THE PC TAIL AREA OVER 50 MICROINCH MINIMUM NICKEL OVERALL.
  - 30 GOLD 30 MICROINCH MINIMUM SELECTIVE GOLD IN THE CONTACT AREA; 75 MICROINCH MINIMUM SELECTIVE TIN IN THE PC TAIL AREA OVER 50 MICROINCH MINIMUM NICKEL OVERALL.
  - 50 GOLD 50 MICROINCH MINIMUM SELECTIVE GOLD IN THE CONTACT AREA; 75 MICROINCH MINIMUM SELECTIVE TIN IN THE PC TAIL AREA OVER 50 MICROINCH MINIMUM NICKEL OVERALL.
- \*THE PRIMARY SHIPPING CARTON WILL BE LABELED "COMPLIANT TO RoHS DIRECTIVE 2002/95/EC AND ELV ANNEX II OF DIRECTIVE 2000/53/EC". CARTONS WITHOUT THIS LABEL MAY CONTAIN PRODUCT WITH LEAD.



OPTION C ASSEMBLY  
(ASSEMBLY WITHOUT PEG AND LOWER ROW PINSTOP)

SECTION X-X

|  |           |             |                           |  |   |  |   |                        |
|--|-----------|-------------|---------------------------|--|---|--|---|------------------------|
| REVISED<br>EC NO: S2009-0814<br>DRWN:SKANG<br>CHKD:ATSEE<br>APPR:MLONG<br>2009/09/01<br>2009/09/04<br>2009/09/05 | H2<br>REV | DESCRIPTION | QUALITY SYMBOLS           | GENERAL TOLERANCES (UNLESS SPECIFIED)  | DIMENSION STYLE   | SCALE  | DESIGN UNITS  | THIRD ANGLE PROJECTION |
|  |           |             | $\nabla=0$<br>$\square=0$ | mm      INCH<br>4 PLACES ± --- ± ---<br>3 PLACES ± --- ± ---<br>2 PLACES ± --- ± .01<br>1 PLACE ± 0.25 ± ---<br>ANGULAR ± 1/2° | IN/MM<br>DRAWN BY: DJB      DATE: 1995/03/15<br>CHECKED BY:      DATE:<br>APPROVED BY:      DATE: 1995/03/15<br>DJB           | NTS<br>TITLE:  | INCH<br>SMT RECEPTACLE<br>RIGHT ANGLE, DUAL ROW<br>WITH AND WITHOUT PEG |                        |
|  |           |             |                           | DRAFT WHERE APPLICABLE<br>MUST REMAIN<br>WITHIN DIMENSIONS   | MATERIAL NO.<br>SEE TABLE   | DOCUMENT NO.<br>MOLEX INCORPORATED<br>SDA-71979-**** | SHEET NO.<br>3 OF 12  |                        |
|  |           |             |                           | SIZE<br>A3   | THIS DRAWING CONTAINS INFORMATION THAT IS PROPRIETARY TO MOLEX INCORPORATED AND SHOULD NOT BE USED WITHOUT WRITTEN PERMISSION |  |   |                        |

9 8 7 6 5 4 3 2 1



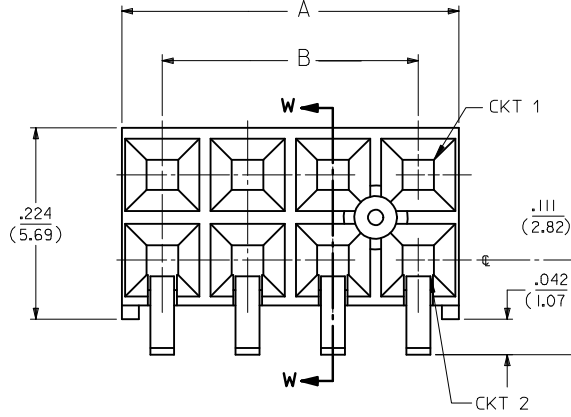
RECOMMENDED P.C.B. LAYOUT

NOTES:

- 1.) MATERIALS:  
HOUSING - LCP, 94V-0, BLACK  
TERMINAL - PHOS. BRONZE ALLOY
- 2.) 8 CKT FOR ILLUSTRATION PURPOSES.  
SEE CHART ON SHEET 10 FOR OTHER SIZES.
- 3.) SCRATCHES AND BURNISHING ALLOWED ON  
TERMINAL TAILS PROVIDING BASE METAL  
IS NOT EXPOSED.
- 4.) MANUFACTURED DATE CODE WEEK/YEAR.
- 5.) RECOMMENDED MATING PIN LENGTHS:  
LOWER ROW - .200" MIN./ .250" MAX.  
UPPER ROW - .200" MIN.
- 6.) REFER TO PS-71973-9999 FOR PERFORMANCE DATA.

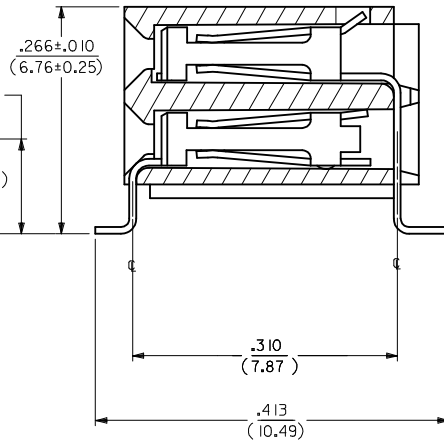
PLATING:

- 15 GOLD 15 MICROINCH MINIMUM SELECTIVE GOLD IN THE CONTACT AREA; 75 MICROINCH MINIMUM SELECTIVE TIN IN THE PC TAIL AREA OVER 50 MICROINCH MINIMUM NICKEL OVERALL.
  - 30 GOLD 30 MICROINCH MINIMUM SELECTIVE GOLD IN THE CONTACT AREA; 75 MICROINCH MINIMUM SELECTIVE TIN IN THE PC TAIL AREA OVER 50 MICROINCH MINIMUM NICKEL OVERALL.
  - 50 GOLD 50 MICROINCH MINIMUM SELECTIVE GOLD IN THE CONTACT AREA; 75 MICROINCH MINIMUM SELECTIVE TIN IN THE PC TAIL AREA OVER 50 MICROINCH MINIMUM NICKEL OVERALL.
- \*THE PRIMARY SHIPPING CARTON WILL BE LABELED "COMPLIANT TO ROHS DIRECTIVE 2002/95/EC AND ELV ANNEX II OF DIRECTIVE 2000/53/EC". CARTONS WITHOUT THIS LABEL MAY CONTAIN PRODUCT WITH LEAD.



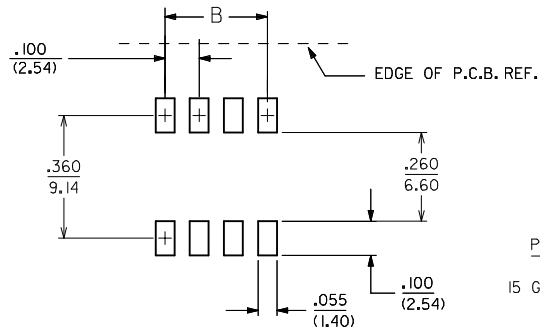
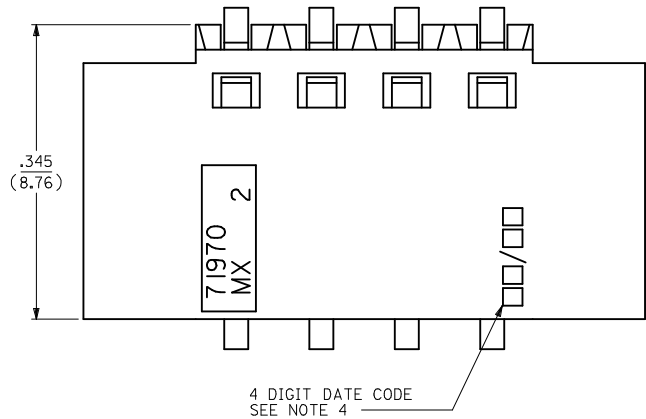
OPTION D ASSEMBLY

(ASSEMBLY WITHOUT PEG AND WITH LOWER ROW PINSTOP)



SECTION W-W

|  |                 |   |   |   |              |                        |
|--|-----------------|---|---|---|--------------|------------------------|
| REVISED<br>EC NO: S2009-0814<br>DRWN:SKANG<br>CHKD:ATSEE<br>APPR:MLONG<br>2009/09/01<br>2009/09/04<br>2009/09/05 | QUALITY SYMBOLS | GENERAL TOLERANCES (UNLESS SPECIFIED)   | DIMENSION STYLE   | SCALE   | DESIGN UNITS | THIRD ANGLE PROJECTION |
|  | ▼=0<br>Ⓢ=0      | mm INCH<br>4 PLACES ± --- ± ---<br>3 PLACES ± --- ± ---<br>2 PLACES ± --- ± .01<br>1 PLACE ± 0.25 ± ---<br>ANGULAR ± 1/2° | IN/MM   | NTS   | INCH         |                        |
|  | DESCRIPTION     | DRAWN BY DATE   | TITLE   | SMT RECEPTACLE<br>RIGHT ANGLE, DUAL ROW<br>WITH AND WITHOUT PEG |              |                        |
|  | REV             | CHECKED BY DATE   | APPROVED BY DATE  | MOLEX INCORPORATED  |              |                        |
|  |                 | DRAFT WHERE APPLICABLE MUST REMAIN WITHIN DIMENSIONS  | MATERIAL NO.  | DOCUMENT NO.  | SHEET NO.    |                        |
|  |                 |   | SEE TABLE   | SDA-71979-****  | 4 OF 12      |                        |
|  |                 |   | THIS DRAWING CONTAINS INFORMATION THAT IS PROPRIETARY TO MOLEX INCORPORATED AND SHOULD NOT BE USED WITHOUT WRITTEN PERMISSION |   |              |                        |



RECOMMENDED P.C.B. LAYOUT

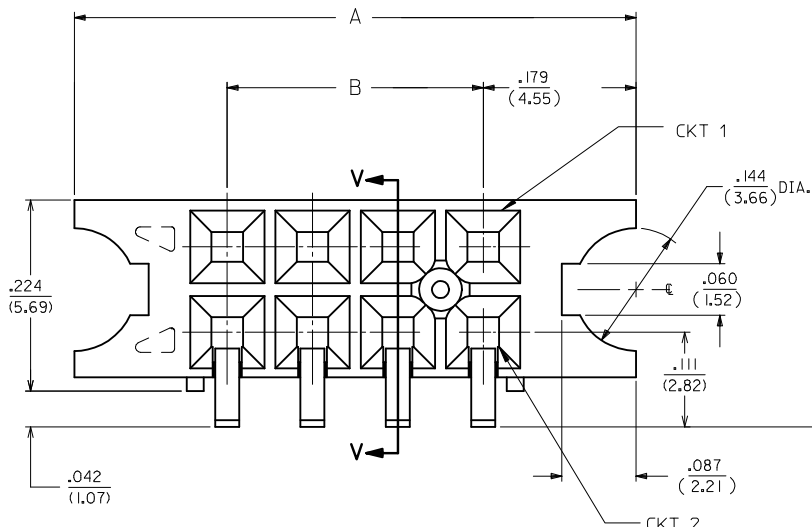
NOTES:

- 1.) MATERIALS:  
HOUSING - VECTRA A-130, 94V-0, BLACK  
TERMINAL - PHOS. BRONZE ALLOY 521.
- 2.) 8 CKT SHOWN FOR ILLUSTRATION PURPOSES.  
SEE CHART ON SHEET 11 FOR OTHER SIZES.
- 3.) SCRATCHES AND BURNISHING ALLOWED ON  
TERMINAL TAILS PROVIDING BASE METAL  
IS NOT EXPOSED.
- 4.) MANUFACTURED DATE CODE WEEK/YEAR.
- 5.) RECOMMENDED MATING PIN LENGTHS:  
LOWER ROW - .200" MIN./ .285" MAX.  
UPPER ROW - .200" MIN.
- 6.) REFER TO PS-71973-9999 FOR PERFORMANCE DATA.

PLATING:

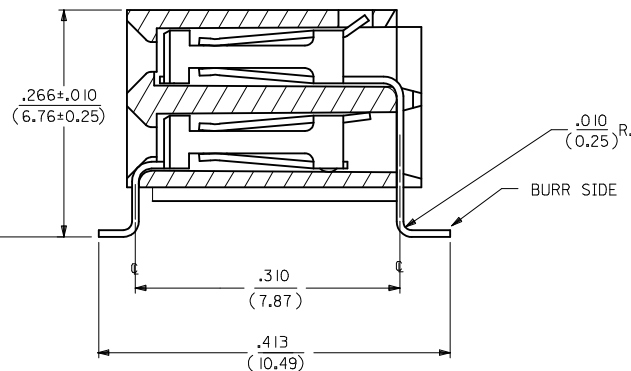
- 15 GOLD 15 MICROINCH MINIMUM SELECTIVE GOLD IN THE CONTACT AREA; 75 MICROINCH MINIMUM SELECTIVE TIN IN THE PC TAIL AREA OVER 50 MICROINCH MINIMUM NICKEL OVERALL.
- 30 GOLD 30 MICROINCH MINIMUM SELECTIVE GOLD IN THE CONTACT AREA; 75 MICROINCH MINIMUM SELECTIVE TIN IN THE PC TAIL AREA OVER 50 MICROINCH MINIMUM NICKEL OVERALL.
- 50 GOLD 50 MICROINCH MINIMUM SELECTIVE GOLD IN THE CONTACT AREA; 75 MICROINCH MINIMUM SELECTIVE TIN IN THE PC TAIL AREA OVER 50 MICROINCH MINIMUM NICKEL OVERALL.

\*THE PRIMARY SHIPPING CARTON WILL BE LABELED 'COMPLIANT TO RoHS DIRECTIVE 2002/95/EC AND ELV ANNEX II OF DIRECTIVE 2000/53/EC'. CARTONS WITHOUT THIS LABEL MAY CONTAIN PRODUCT WITH LEAD.



OPTION E ASSEMBLY

(ASSEMBLY WITHOUT PEG OR LOWER ROW PINSTOP, WITH FLANGE)



SECTION V - V

|  |  |  |  |  |  |
|--|--|--|--|--|--|
| REVISED<br>EC NO: S2009-0814<br>DRWN:SKANG<br>CHKD:ATSEE<br>APPR:MLONG<br>2009/09/01<br>2009/09/04<br>2009/09/05 | QUALITY SYMBOLS<br>▽=0<br>◻=0                              | GENERAL TOLERANCES (UNLESS SPECIFIED)<br>mm INCH<br>4 PLACES ± --- ± ---<br>3 PLACES ± --- ± ---<br>2 PLACES ± --- ± .01<br>1 PLACE ± 0.25 ± ---<br>ANGULAR ± 1/2° | DIMENSION STYLE<br>IN/MM<br>DRAWN BY DATE<br>DJB 1995/03/15<br>CHECKED BY DATE<br>DJB 1995/03/15<br>APPROVED BY DATE<br>DJB 1995/03/15 | SCALE<br>NTS<br>DESIGN UNITS<br>INCH<br>THIRD ANGLE PROJECTION | TITLE<br>SMT RECEPTACLE<br>RIGHT ANGLE, DUAL ROW<br>WITH AND WITHOUT PEG<br>MOLEX INCORPORATED |
|  | DRAFT WHERE APPLICABLE<br>MUST REMAIN<br>WITHIN DIMENSIONS | MATERIAL NO.<br>SEE TABLE  | DOCUMENT NO.<br>SDA-71979-****   | SHEET NO.<br>5 OF 12   |  |
|  | SIZE<br>A3   | THIS DRAWING CONTAINS INFORMATION THAT IS PROPRIETARY TO MOLEX INCORPORATED AND SHOULD NOT BE USED WITHOUT WRITTEN PERMISSION                                      |  |  |  |
|  | H2   |  |  |  |  |

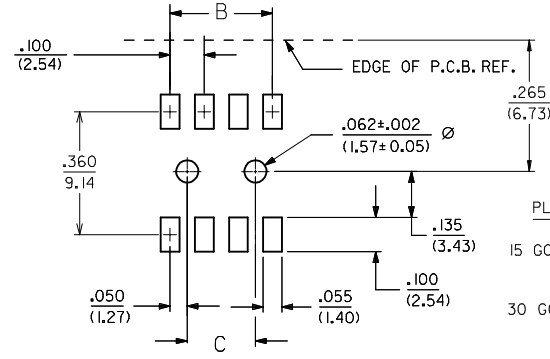
NOTES:

- 1.) MATERIALS:  
HOUSING - VECTRA A-130, 94V-0, BLACK  
TERMINAL - PHOS. BRONZE ALLOY 521.
- 2.) 8 CKT SHOWN FOR ILLUSTRATION PURPOSES.  
SEE CHART ON SHEET 12.
- 3.) SCRATCHES AND BURNISHING ALLOWED ON  
TERMINAL TAILS PROVIDING BASE METAL  
IS NOT EXPOSED.
- 4.) MANUFACTURED DATE CODE WEEK/YEAR.
- 5.) RECOMMENDED MATING PIN LENGTHS:  
LOWER ROW - .200" MIN./ .285" MAX.  
UPPER ROW - .200" MIN.
- 6.) REFER TO PS-71973-9999 FOR PERFORMANCE DATA.

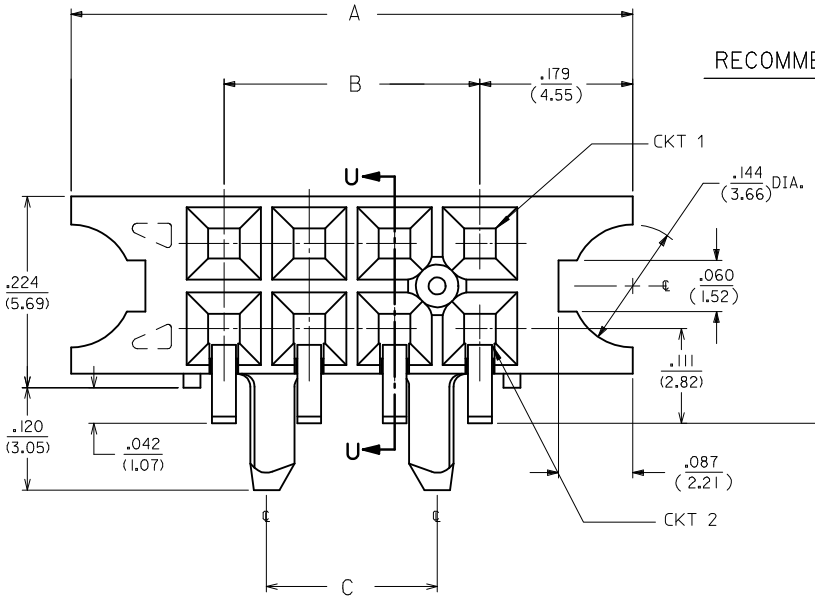
PLATING:

- 15 GOLD 15 MICROINCH MINIMUM SELECTIVE GOLD IN THE CONTACT AREA; 75 MICROINCH MINIMUM SELECTIVE TIN IN THE PC TAIL AREA OVER 50 MICROINCH MINIMUM NICKEL OVERALL.
- 30 GOLD 30 MICROINCH MINIMUM SELECTIVE GOLD IN THE CONTACT AREA; 75 MICROINCH MINIMUM SELECTIVE TIN IN THE PC TAIL AREA OVER 50 MICROINCH MINIMUM NICKEL OVERALL.
- 50 GOLD 50 MICROINCH MINIMUM SELECTIVE GOLD IN THE CONTACT AREA; 75 MICROINCH MINIMUM SELECTIVE TIN IN THE PC TAIL AREA OVER 50 MICROINCH MINIMUM NICKEL OVERALL.

\*THE PRIMARY SHIPPING CARTON WILL BE LABELED "COMPLIANT TO ROHS DIRECTIVE 2002/95/EC AND ELV ANNEX II OF DIRECTIVE 2000/53/EC". CARTONS WITHOUT THIS LABEL MAY CONTAIN PRODUCT WITH LEAD.



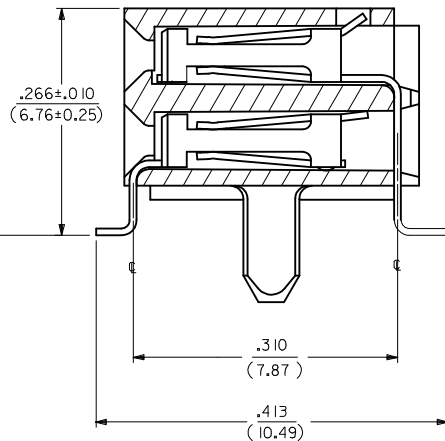
RECOMMENDED P.C.B. LAYOUT



OPTION F ASSEMBLY

( ASSEMBLY WITHOUT LOWER ROW PINSTOP, WITH FLANGE AND PEG )

SECTION U-U



|  |  |  |  |                                      |                        |
|--|--|--|--|--------------------------------------|------------------------|
| REVISED<br>EC NO: S2009-0814<br>DRWN:SKANG<br>CHKD:ATSEE<br>APPR:MLONG<br>2009/09/01<br>2009/09/04<br>2009/09/05 | QUALITY SYMBOLS<br>▽=0<br>◻=0                              | GENERAL TOLERANCES (UNLESS SPECIFIED)<br>mm INCH<br>4 PLACES ± --- ± ---<br>3 PLACES ± --- ± ---<br>2 PLACES ± --- ± .01<br>1 PLACE ± 0.25 ± ---<br>ANGULAR ± 1/2° | DIMENSION STYLE<br>IN/MM<br>DRAWN BY DATE<br>DJB 1995/03/15<br>CHECKED BY DATE<br>DJB 1995/03/15<br>APPROVED BY DATE<br>DJB 1995/03/15 | SCALE<br>NTS<br>DESIGN UNITS<br>INCH | THIRD ANGLE PROJECTION |
|  | DRAFT WHERE APPLICABLE<br>MUST REMAIN<br>WITHIN DIMENSIONS | MATERIAL NO.<br>SEE TABLE  | DOCUMENT NO.<br>SDA-71979-****   | SHEET NO.<br>6 OF 12                 |                        |
|  | SIZE<br>A3   | THIS DRAWING CONTAINS INFORMATION THAT IS PROPRIETARY TO MOLEX INCORPORATED AND SHOULD NOT BE USED WITHOUT WRITTEN PERMISSION                                      |  |                                      |                        |
|  | H2   | MOLEX INCORPORATED<br>SMT RECEPTACLE<br>RIGHT ANGLE, DUAL ROW<br>WITH AND WITHOUT PEG  |  |                                      |                        |



| NO. OF CKTS |       | OPTION A ASSEMBLY<br>PLATINGS PER ES-88-(***)<br>(SEE SHEET I FOR PLATING SPECIFICATIONS) |  |  |            |            | DIMENSION  |                  |                  |                  | NO. OF CKTS |         | OPTION A ASSEMBLY<br>PLATINGS PER ES-88-(***)<br>(SEE SHEET I FOR PLATING SPECIFICATIONS) |  |  |  |         | DIMENSION |                  |                  |                  |   |  |
|-------------|-------|---|--|--|------------|------------|------------|------------------|------------------|------------------|-------------|---------|---|--|--|--|---------|-----------|------------------|------------------|------------------|---|--|
| PER ROW     | TOTAL |   |  |  | 15 GOLD    | 30 GOLD    | 50 GOLD    | A                | B                | C                |             | PER ROW | TOTAL   |  |  |  | 15 GOLD | 30 GOLD   | 50 GOLD          | A                | B                | C |  |
| 4           | 8     |   |  |  | 71979-0204 | 71979-0304 | 71979-0404 | .395<br>(10.03)  | .300<br>(7.62)   | .200<br>(5.08)   |             | 34      | 68  |  |  |  |         |           | 3.395<br>(86.23) | 3.300<br>(83.82) | 3.200<br>(81.28) |   |  |
| 5           | 10    |   |  |  | 71979-0205 | 71979-0305 | 71979-0405 | .495<br>(12.57)  | .400<br>(10.16)  | .300<br>(7.62)   |             | 35      | 70  |  |  |  |         |           | 3.495<br>(88.77) | 3.400<br>(86.36) | 3.300<br>(83.82) |   |  |
| 6           | 12    |   |  |  | 71979-0206 | 71979-0306 | 71979-0406 | .595<br>(15.11)  | .500<br>(12.70)  | .400<br>(10.16)  |             | 36      | 72  |  |  |  |         |           | 3.595<br>(91.31) | 3.500<br>(88.90) | 3.400<br>(86.36) |   |  |
| 7           | 14    |   |  |  | 71979-0207 | 71979-0307 | 71979-0407 | .695<br>(17.65)  | .600<br>(15.24)  | .500<br>(12.70)  |             |         |   |  |  |  |         |           |                  |                  |                  |   |  |
| 8           | 16    |   |  |  | 71979-0208 | 71979-0308 | 71979-0408 | .795<br>(20.19)  | .700<br>(17.78)  | .600<br>(15.24)  |             |         |   |  |  |  |         |           |                  |                  |                  |   |  |
| 9           | 18    |   |  |  | 71979-0209 | 71979-0309 | 71979-0409 | .895<br>(22.73)  | .800<br>(20.32)  | .700<br>(17.78)  |             |         |   |  |  |  |         |           |                  |                  |                  |   |  |
| 10          | 20    |   |  |  | 71979-0210 | 71979-0310 | 71979-0410 | .995<br>(25.27)  | .900<br>(22.86)  | .800<br>(20.32)  |             |         |   |  |  |  |         |           |                  |                  |                  |   |  |
| 11          | 22    |   |  |  | 71979-0211 | 71979-0311 | 71979-0411 | 1.095<br>(27.81) | 1.000<br>(25.40) | .900<br>(22.86)  |             |         |   |  |  |  |         |           |                  |                  |                  |   |  |
| 12          | 24    |   |  |  | 71979-0212 | 71979-0312 | 71979-0412 | 1.195<br>(30.35) | 1.100<br>(27.94) | 1.000<br>(25.40) |             |         |   |  |  |  |         |           |                  |                  |                  |   |  |
| 13          | 26    |   |  |  | 71979-0213 | 71979-0313 | 71979-0413 | 1.295<br>(32.89) | 1.200<br>(30.48) | 1.100<br>(27.94) |             |         |   |  |  |  |         |           |                  |                  |                  |   |  |
| 14          | 28    |   |  |  | 71979-0214 | 71979-0314 | 71979-0414 | 1.395<br>(35.43) | 1.300<br>(33.02) | 1.200<br>(30.48) |             |         |   |  |  |  |         |           |                  |                  |                  |   |  |
| 15          | 30    |   |  |  | 71979-0215 | 71979-0315 | 71979-0415 | 1.495<br>(37.97) | 1.400<br>(35.56) | 1.300<br>(33.02) |             |         |   |  |  |  |         |           |                  |                  |                  |   |  |
| 16          | 32    |   |  |  | 71979-0216 | 71979-0316 | 71979-0416 | 1.595<br>(40.51) | 1.500<br>(38.10) | 1.400<br>(35.56) |             |         |   |  |  |  |         |           |                  |                  |                  |   |  |
| 17          | 34    |   |  |  | 71979-0217 | 71979-0317 | 71979-0417 | 1.695<br>(43.05) | 1.600<br>(40.64) | 1.500<br>(38.10) |             |         |   |  |  |  |         |           |                  |                  |                  |   |  |
| 18          | 36    |   |  |  | 71979-0218 | 71979-0318 | 71979-0418 | 1.795<br>(45.59) | 1.700<br>(43.18) | 1.600<br>(40.64) |             |         |   |  |  |  |         |           |                  |                  |                  |   |  |
| 19          | 38    |   |  |  | 71979-0219 | 71979-0319 | 71979-0419 | 1.895<br>(48.13) | 1.800<br>(45.72) | 1.700<br>(43.18) |             |         |   |  |  |  |         |           |                  |                  |                  |   |  |
| 20          | 40    |   |  |  | 71979-0220 | 71979-0320 | 71979-0420 | 1.995<br>(50.67) | 1.900<br>(48.26) | 1.800<br>(45.72) |             |         |   |  |  |  |         |           |                  |                  |                  |   |  |
| 21          | 42    |   |  |  | 71979-0221 | 71979-0321 | 71979-0421 | 2.095<br>(53.21) | 2.000<br>(50.80) | 1.900<br>(48.26) |             |         |   |  |  |  |         |           |                  |                  |                  |   |  |
| 22          | 44    |   |  |  | 71979-0222 | 71979-0322 | 71979-0422 | 2.195<br>(55.75) | 2.100<br>(53.34) | 2.000<br>(50.80) |             |         |   |  |  |  |         |           |                  |                  |                  |   |  |
| 23          | 46    |   |  |  | 71979-0223 | 71979-0323 | 71979-0423 | 2.295<br>(58.29) | 2.200<br>(55.88) | 2.100<br>(53.34) |             |         |   |  |  |  |         |           |                  |                  |                  |   |  |
| 24          | 48    |   |  |  | 71979-0224 | 71979-0324 | 71979-0424 | 2.395<br>(60.83) | 2.300<br>(58.42) | 2.200<br>(55.88) |             |         |   |  |  |  |         |           |                  |                  |                  |   |  |
| 25          | 50    |   |  |  | 71979-0225 | 71979-0325 | 71979-0425 | 2.495<br>(63.37) | 2.400<br>(60.96) | 2.300<br>(58.42) |             |         |   |  |  |  |         |           |                  |                  |                  |   |  |
| 26          | 52    |   |  |  | 71979-0226 | 71979-0326 | 71979-0426 | 2.595<br>(65.91) | 2.500<br>(63.50) | 2.400<br>(60.96) |             |         |   |  |  |  |         |           |                  |                  |                  |   |  |
| 27          | 54    |   |  |  | 71979-0227 | 71979-0327 | 71979-0427 | 2.695<br>(68.45) | 2.600<br>(66.04) | 2.500<br>(63.50) |             |         |   |  |  |  |         |           |                  |                  |                  |   |  |
| 28          | 56    |   |  |  | 71979-0228 | 71979-0328 | 71979-0428 | 2.795<br>(70.99) | 2.700<br>(68.58) | 2.600<br>(66.04) |             |         |   |  |  |  |         |           |                  |                  |                  |   |  |
| 29          | 58    |   |  |  | 71979-0229 | 71979-0329 | 71979-0429 | 2.895<br>(73.53) | 2.800<br>(71.12) | 2.700<br>(68.58) |             |         |   |  |  |  |         |           |                  |                  |                  |   |  |
| 30          | 60    |   |  |  | 71979-0230 | 71979-0330 | 71979-0430 | 2.995<br>(76.07) | 2.900<br>(73.66) | 2.800<br>(71.12) |             |         |   |  |  |  |         |           |                  |                  |                  |   |  |
| 31          | 62    |   |  |  | 71979-0231 | 71979-0331 | 71979-0431 | 3.095<br>(78.61) | 3.000<br>(76.20) | 2.900<br>(73.66) |             |         |   |  |  |  |         |           |                  |                  |                  |   |  |
| 32          | 64    |   |  |  | 71979-0232 | 71979-0332 | 71979-0432 | 3.195<br>(81.15) | 3.100<br>(78.74) | 3.000<br>(76.20) |             |         |   |  |  |  |         |           |                  |                  |                  |   |  |
| 33          | 66    |   |  |  | 71979-0233 | 71979-0333 | 71979-0433 | 3.295<br>(83.69) | 3.200<br>(81.28) | 3.100<br>(78.74) |             |         |   |  |  |  |         |           |                  |                  |                  |   |  |

NOTE: ALL CONNECTORS ARE PACKAGED IN TUBES PER PK-70873-0138

"X" INDICATES TOOLING IS NOT AVAILABLE.

REVISED  
EC NO: S2009-0814  
DRWN:SKANG  
CHKD:ATSEE  
APPR:MLONG  
2009/09/01  
2009/09/04  
2009/09/05

QUALITY SYMBOLS  
▽=0  
◁=0  
DESCRIPTION  
REV

GENERAL TOLERANCES (UNLESS SPECIFIED)

|                | mm     | INCH    |
|----------------|--------|---------|
| 4 PLACES       | ± .005 | ± .0004 |
| 3 PLACES       | ± .005 | ± .0004 |
| 2 PLACES       | ± .005 | ± .0004 |
| 1 PLACE        | ± 0.25 | ± .010  |
| ANGULAR ± 1/2° |        |         |

DRAFT WHERE APPLICABLE  
MUST REMAIN WITHIN DIMENSIONS

DIMENSION STYLE  
IN/MM

DRAWN BY: DJB  
DATE: 1995/03/15

CHECKED BY: DJB  
DATE: 1995/03/15

APPROVED BY: DJB  
DATE: 1995/03/15

MATERIAL NO. SEE TABLE

SCALE NTS

DESIGN UNITS INCH

THIRD ANGLE PROJECTION

TITLE  
SMT RECEPTACLE  
RIGHT ANGLE, DUAL ROW  
WITH AND WITHOUT PEG

MOLEX INCORPORATED

DOCUMENT NO. SDA-71979-\*\*\*\*

SHEET NO. 7 OF 12

THIS DRAWING CONTAINS INFORMATION THAT IS PROPRIETARY TO MOLEX INCORPORATED AND SHOULD NOT BE USED WITHOUT WRITTEN PERMISSION

| 10          |       | 9  |  | 8          |            | 7          |                  | 6                |                  | 5       |       | 4           |            | 3  |            | 2                |                  | 1                |   |           |  |  |  |
|-------------|-------|--|--|------------|------------|------------|------------------|------------------|------------------|---------|-------|-------------|------------|--|------------|------------------|------------------|------------------|---|-----------|--|--|--|
| NO. OF CKTS |       | OPTION B ASSEMBLY<br>PLATINGS PER ES-88-(****)<br>(SEE SHEET I FOR PLATING SPECIFICATIONS) |  |            |            |            |                  | DIMENSION        |                  |         |       | NO. OF CKTS |            | OPTION B ASSEMBLY<br>PLATINGS PER ES-88-(****)<br>(SEE SHEET I FOR PLATING SPECIFICATIONS) |            |                  |                  |                  |   | DIMENSION |  |  |  |
| PER ROW     | TOTAL |  |  | 15 GOLD    | 30 GOLD    | 50 GOLD    | A                | B                | C                | PER ROW | TOTAL |             |            | 15 GOLD  | 30 GOLD    | 50 GOLD          | A                | B                | C |           |  |  |  |
| F           | 4     | 8  |  | 71979-1004 | 71979-1104 | 71979-1204 | .395<br>(10.03)  | .300<br>(7.62)   | .200<br>(5.08)   | 34      | 68    |             | 71979-1034 | 71979-1134   | 71878-1234 | 3.395<br>(86.23) | 3.300<br>(83.82) | 3.200<br>(81.28) |   |           |  |  |  |
|             | 5     | 10   |  | 71979-1005 | 71979-1105 | 71979-1205 | .495<br>(12.57)  | .400<br>(10.16)  | .300<br>(7.62)   | 35      | 70    |             | 71979-1035 | 71979-1135   | 71878-1235 | 3.495<br>(88.77) | 3.400<br>(86.36) | 3.300<br>(83.82) |   |           |  |  |  |
|             | 6     | 12   |  | 71979-1006 | 71979-1106 | 71979-1206 | .595<br>(15.11)  | .500<br>(12.70)  | .400<br>(10.16)  | 36      | 72    |             | 71979-1036 | 71979-1136   | 71878-1236 | 3.595<br>(91.31) | 3.500<br>(88.90) | 3.400<br>(86.36) |   |           |  |  |  |
|             | 7     | 14   |  | 71979-1007 | 71979-1107 | 71979-1207 | .695<br>(17.65)  | .600<br>(15.24)  | .500<br>(12.70)  |         |       |             |            |  |            |                  |                  |                  |   |           |  |  |  |
|             | 8     | 16   |  | 71979-1008 | 71979-1108 | 71979-1208 | .795<br>(20.19)  | .700<br>(17.78)  | .600<br>(15.24)  |         |       |             |            |  |            |                  |                  |                  |   |           |  |  |  |
|             | 9     | 18   |  | 71979-1009 | 71979-1109 | 71979-1209 | .895<br>(22.73)  | .800<br>(20.32)  | .700<br>(17.78)  |         |       |             |            |  |            |                  |                  |                  |   |           |  |  |  |
|             | 10    | 20   |  | 71979-1010 | 71979-1110 | 71979-1210 | .995<br>(25.27)  | .900<br>(22.86)  | .800<br>(20.32)  |         |       |             |            |  |            |                  |                  |                  |   |           |  |  |  |
| E           | 11    | 22   |  | 71979-1011 | 71979-1111 | 71979-1211 | 1.095<br>(27.81) | 1.000<br>(25.40) | .900<br>(22.86)  |         |       |             |            |  |            |                  |                  |                  |   |           |  |  |  |
|             | 12    | 24   |  | 71979-1012 | 71979-1112 | 71979-1212 | 1.195<br>(30.35) | 1.100<br>(27.94) | 1.000<br>(25.40) |         |       |             |            |  |            |                  |                  |                  |   |           |  |  |  |
|             | 13    | 26   |  | 71979-1013 | 71979-1113 | 71979-1213 | 1.295<br>(32.89) | 1.200<br>(30.48) | 1.100<br>(27.94) |         |       |             |            |  |            |                  |                  |                  |   |           |  |  |  |
|             | 14    | 28   |  | 71979-1014 | 71979-1114 | 71979-1214 | 1.395<br>(35.43) | 1.300<br>(33.02) | 1.200<br>(30.48) |         |       |             |            |  |            |                  |                  |                  |   |           |  |  |  |
|             | 15    | 30   |  | 71979-1015 | 71979-1115 | 71979-1215 | 1.495<br>(37.97) | 1.400<br>(35.56) | 1.300<br>(33.02) |         |       |             |            |  |            |                  |                  |                  |   |           |  |  |  |
|             | 16    | 32   |  | 71979-1016 | 71979-1116 | 71979-1216 | 1.595<br>(40.51) | 1.500<br>(38.10) | 1.400<br>(35.56) |         |       |             |            |  |            |                  |                  |                  |   |           |  |  |  |
|             | 17    | 34   |  | 71979-1017 | 71979-1117 | 71979-1217 | 1.695<br>(43.05) | 1.600<br>(40.64) | 1.500<br>(38.10) |         |       |             |            |  |            |                  |                  |                  |   |           |  |  |  |
| D           | 18    | 36   |  | 71979-1018 | 71979-1118 | 71979-1218 | 1.795<br>(45.59) | 1.700<br>(43.18) | 1.600<br>(40.64) |         |       |             |            |  |            |                  |                  |                  |   |           |  |  |  |
|             | 19    | 38   |  | 71979-1019 | 71979-1119 | 71979-1219 | 1.895<br>(48.13) | 1.800<br>(45.72) | 1.700<br>(43.18) |         |       |             |            |  |            |                  |                  |                  |   |           |  |  |  |
|             | 20    | 40   |  | 71979-1020 | 71979-1120 | 71979-1220 | 1.995<br>(50.67) | 1.900<br>(48.26) | 1.800<br>(45.72) |         |       |             |            |  |            |                  |                  |                  |   |           |  |  |  |
|             | 21    | 42   |  | 71979-1021 | 71979-1121 | 71979-1221 | 2.095<br>(53.21) | 2.000<br>(50.80) | 1.900<br>(48.26) |         |       |             |            |  |            |                  |                  |                  |   |           |  |  |  |
|             | 22    | 44   |  | 71979-1022 | 71979-1122 | 71979-1222 | 2.195<br>(55.75) | 2.100<br>(53.34) | 2.000<br>(50.80) |         |       |             |            |  |            |                  |                  |                  |   |           |  |  |  |
|             | 23    | 46   |  | 71979-1023 | 71979-1123 | 71979-1223 | 2.295<br>(58.29) | 2.200<br>(55.88) | 2.100<br>(53.34) |         |       |             |            |  |            |                  |                  |                  |   |           |  |  |  |
|             | 24    | 48   |  | 71979-1024 | 71979-1124 | 71979-1224 | 2.395<br>(60.83) | 2.300<br>(58.42) | 2.200<br>(55.88) |         |       |             |            |  |            |                  |                  |                  |   |           |  |  |  |
|             | 25    | 50   |  | 71979-1025 | 71979-1125 | 71979-1225 | 2.495<br>(63.37) | 2.400<br>(60.96) | 2.300<br>(58.42) |         |       |             |            |  |            |                  |                  |                  |   |           |  |  |  |
| C           | 26    | 52   |  | 71979-1026 | 71979-1126 | 71979-1226 | 2.595<br>(65.91) | 2.500<br>(63.50) | 2.400<br>(60.96) |         |       |             |            |  |            |                  |                  |                  |   |           |  |  |  |
|             | 27    | 54   |  | 71979-1027 | 71979-1127 | 71979-1227 | 2.695<br>(68.45) | 2.600<br>(66.04) | 2.500<br>(63.50) |         |       |             |            |  |            |                  |                  |                  |   |           |  |  |  |
|             | 28    | 56   |  | 71979-1028 | 71979-1128 | 71979-1228 | 2.795<br>(70.99) | 2.700<br>(68.58) | 2.600<br>(66.04) |         |       |             |            |  |            |                  |                  |                  |   |           |  |  |  |
|             | 29    | 58   |  | 71979-1029 | 71979-1129 | 71979-1229 | 2.895<br>(73.53) | 2.800<br>(71.12) | 2.700<br>(68.58) |         |       |             |            |  |            |                  |                  |                  |   |           |  |  |  |
|             | 30    | 60   |  | 71979-1030 | 71979-1130 | 71979-1230 | 2.995<br>(76.07) | 2.900<br>(73.66) | 2.800<br>(71.12) |         |       |             |            |  |            |                  |                  |                  |   |           |  |  |  |
|             | 31    | 62   |  | 71979-1031 | 71979-1131 | 71979-1231 | 3.095<br>(78.61) | 3.000<br>(76.20) | 2.900<br>(73.66) |         |       |             |            |  |            |                  |                  |                  |   |           |  |  |  |
|             | 32    | 64   |  | 71979-1032 | 71979-1132 | 71979-1232 | 3.195<br>(81.15) | 3.100<br>(78.74) | 3.000<br>(76.20) |         |       |             |            |  |            |                  |                  |                  |   |           |  |  |  |
| B           | 33    | 66   |  | 71979-1033 | 71979-1133 | 71979-1233 | 3.295<br>(83.69) | 3.200<br>(81.28) | 3.100<br>(78.74) |         |       |             |            |  |            |                  |                  |                  |   |           |  |  |  |

NOTE: ALL CONNECTORS ARE PACKAGED IN TUBES PER PK-70873-0138

"X" INDICATES TOOLING IS NOT AVAILABLE.

| <b>REVISED</b><br>EC NO: S2009-0814<br>DRWN:SKANG<br>CHKD:ATSEE<br>APPR:MLONG<br>2009/09/01<br>2009/09/04<br>2009/09/05 | QUALITY SYMBOLS<br>= 0<br>= 0 | GENERAL TOLERANCES (UNLESS SPECIFIED)<br><table border="1"> <tr> <th></th> <th>mm</th> <th>INCH</th> </tr> <tr> <td>4 PLACES</td> <td>± ---</td> <td>± ---</td> </tr> <tr> <td>3 PLACES</td> <td>± ---</td> <td>± ---</td> </tr> <tr> <td>2 PLACES</td> <td>± ---</td> <td>± .01</td> </tr> <tr> <td>1 PLACE</td> <td>± 0.25</td> <td>± ---</td> </tr> </table> |       | mm | INCH | 4 PLACES | ± --- | ± --- | 3 PLACES | ± --- | ± --- | 2 PLACES | ± --- | ± .01 | 1 PLACE | ± 0.25 | ± --- | DIMENSION STYLE<br><b>IN/MM</b> | SCALE<br><b>NTS</b> | DESIGN UNITS<br><b>INCH</b> | THIRD ANGLE PROJECTION<br> |
|---|-------------------------------|---|-------|----|------|----------|-------|-------|----------|-------|-------|----------|-------|-------|---------|--------|-------|---------------------------------|---------------------|-----------------------------|----------------------------|
|   |                               | mm  | INCH  |    |      |          |       |       |          |       |       |          |       |       |         |        |       |                                 |                     |                             |                            |
|   | 4 PLACES                      | ± ---   | ± --- |    |      |          |       |       |          |       |       |          |       |       |         |        |       |                                 |                     |                             |                            |
|   | 3 PLACES                      | ± ---   | ± --- |    |      |          |       |       |          |       |       |          |       |       |         |        |       |                                 |                     |                             |                            |
| 2 PLACES  | ± ---                         | ± .01   |       |    |      |          |       |       |          |       |       |          |       |       |         |        |       |                                 |                     |                             |                            |
| 1 PLACE   | ± 0.25                        | ± ---   |       |    |      |          |       |       |          |       |       |          |       |       |         |        |       |                                 |                     |                             |                            |
| DRAWN BY<br>DJB   | DATE<br>1995/03/15            | TITLE<br><b>SMT RECEPTACLE<br/>         RIGHT ANGLE, DUAL ROW<br/>         WITH AND WITHOUT PEG</b>   |       |    |      |          |       |       |          |       |       |          |       |       |         |        |       |                                 |                     |                             |                            |
| CHECKED BY<br>DJB   | DATE<br>1995/03/15            | APPROVED BY<br>DJB  |       |    |      |          |       |       |          |       |       |          |       |       |         |        |       |                                 |                     |                             |                            |
| MATERIAL NO.<br><b>SEE TABLE</b>  | DATE<br>1995/03/15            | DOCUMENT NO.<br><b>SDA-71979-****</b>   |       |    |      |          |       |       |          |       |       |          |       |       |         |        |       |                                 |                     |                             |                            |
| DRAFT WHERE APPLICABLE<br>MUST REMAIN<br>WITHIN DIMENSIONS  | SIZE<br><b>A3</b>             | THIS DRAWING CONTAINS INFORMATION THAT IS PROPRIETARY TO MOLEX<br>INCORPORATED AND SHOULD NOT BE USED WITHOUT WRITTEN PERMISSION  |       |    |      |          |       |       |          |       |       |          |       |       |         |        |       |                                 |                     |                             |                            |

| 10          |       | 9  |               | 8  |            | 7       |            | 6       |            | 5         |         | 4           |       | 3  |               | 2  |            | 1       |            |         |            |                  |                  |
|-------------|-------|--|---------------|--|------------|---------|------------|---------|------------|-----------|---------|-------------|-------|--|---------------|--|------------|---------|------------|---------|------------|------------------|------------------|
| NO. OF CKTS |       | PACKAGING:<br>TUBES PER<br>PK-70873-0138 |               | OPTION C ASSEMBLY<br>PLATINGS PER ES-88-(****)<br>(SEE SHEET 1 FOR PLATING SPECIFICATIONS) |            |         |            |         |            | DIMENSION |         | NO. OF CKTS |       | PACKAGING:<br>TUBES PER<br>PK-70873-0138 |               | OPTION C ASSEMBLY<br>PLATINGS PER ES-88-(****)<br>(SEE SHEET 1 FOR PLATING SPECIFICATIONS) |            |         |            |         |            | DIMENSION        |                  |
| PER ROW     | TOTAL | TAPE AND REEL PER<br>PK-70873-0918       |               | 15 GOLD  |            | 30 GOLD |            | 50 GOLD |            | A         | B       | PER ROW     | TOTAL |  |               | 15 GOLD  |            | 30 GOLD |            | 50 GOLD |            | A                | B                |
|             |       |  |               |  |            |         |            |         |            |           |         |             |       |  |               |  |            |         |            |         |            |                  |                  |
| 4           | 8     |  | PK-70873-0138 |  | 71979-1804 |         | 71979-1904 |         | 71979-2004 | .395      | .300    |             | 40    |  | PK-70873-0138 |  | 71979-1820 |         | 71979-1920 |         | 71979-2020 | 1.995<br>(50.67) | 1.900<br>(48.26) |
|             |       |  | PK-70873-0918 | X  | 71979-3804 | X       | 71979-3904 | X       | 71979-4004 | (10.03)   | (7.62)  |             |       |  | PK-70873-0138 |  | 71979-1821 |         | 71979-1921 |         | 71979-2021 | 2.095<br>(53.21) | 2.000<br>(50.80) |
| 5           | 10    |  | PK-70873-0138 |  | 71979-1805 |         | 71979-1905 |         | 71979-2005 | .495      | .400    |             | 21    |  | PK-70873-0138 |  | 71979-1822 |         | 71979-1922 |         | 71979-2022 | 2.195<br>(55.75) | 2.100<br>(53.34) |
|             |       |  | PK-70873-0918 | X  | 71979-3805 | X       | 71979-3905 | X       | 71979-4005 | (12.57)   | (10.16) |             |       |  | PK-70873-0138 |  | 71979-1823 |         | 71979-1923 |         | 71979-2023 | 2.295<br>(58.29) | 2.200<br>(55.88) |
| 6           | 12    |  | PK-70873-0138 |  | 71979-1806 |         | 71979-1906 |         | 71979-2006 | .595      | .500    |             | 22    |  | PK-70873-0138 |  | 71979-1824 |         | 71979-1924 |         | 71979-2024 | 2.395<br>(60.83) | 2.300<br>(58.42) |
|             |       |  | PK-70873-0918 | X  | 71979-3806 | X       | 71979-3906 | X       | 71979-4006 | (15.11)   | (12.70) |             |       |  | PK-70873-0138 |  | 71979-1825 |         | 71979-1925 |         | 71979-2025 | 2.495<br>(63.37) | 2.400<br>(60.96) |
| 7           | 14    |  | PK-70873-0138 |  | 71979-1807 |         | 71979-1907 |         | 71979-2007 | .695      | .600    |             | 23    |  | PK-70873-0138 |  | 71979-1826 |         | 71979-1926 |         | 71979-2026 | 2.595<br>(65.91) | 2.500<br>(63.50) |
|             |       |  | PK-70873-0918 | X  | 71979-3807 | X       | 71979-3907 | X       | 71979-4007 | (17.65)   | (15.24) |             |       |  | PK-70873-0138 |  | 71979-1827 |         | 71979-1927 |         | 71979-2027 | 2.695<br>(68.45) | 2.600<br>(66.04) |
| 8           | 16    |  | PK-70873-0138 |  | 71979-1808 |         | 71979-1908 |         | 71979-2008 | .795      | .700    |             | 24    |  | PK-70873-0138 |  | 71979-1828 |         | 71979-1928 |         | 71979-2028 | 2.795<br>(70.99) | 2.700<br>(68.58) |
|             |       |  | PK-70873-0918 | X  | 71979-3808 | X       | 71979-3908 | X       | 71979-4008 | (20.19)   | (17.78) |             |       |  | PK-70873-0138 |  | 71979-1829 |         | 71979-1929 |         | 71979-2029 | 2.895<br>(73.53) | 2.800<br>(71.12) |
| 9           | 18    |  | PK-70873-0138 |  | 71979-1809 |         | 71979-1909 |         | 71979-2009 | .895      | .800    |             | 25    |  | PK-70873-0138 |  | 71979-1830 |         | 71979-1930 |         | 71979-2030 | 2.995<br>(76.07) | 2.900<br>(73.66) |
|             |       |  | PK-70873-0918 | X  | 71979-3809 | X       | 71979-3909 | X       | 71979-4009 | (22.73)   | (20.32) |             |       |  | PK-70873-0138 |  | 71979-1831 |         | 71979-1931 |         | 71979-2031 | 3.095<br>(78.61) | 3.000<br>(76.20) |
| 10          | 20    |  | PK-70873-0138 |  | 71979-1810 |         | 71979-1910 |         | 71979-2010 | .995      | .900    |             | 26    |  | PK-70873-0138 |  | 71979-1832 |         | 71979-1932 |         | 71979-2032 | 3.195<br>(81.15) | 3.100<br>(78.74) |
|             |       |  | PK-70873-0918 | X  | 71979-3810 | X       | 71979-3910 | X       | 71979-4010 | (25.27)   | (22.86) |             |       |  | PK-70873-0138 |  | 71979-1833 |         | 71979-1933 |         | 71979-2033 | 3.295<br>(83.69) | 3.200<br>(81.28) |
| 11          | 22    |  | PK-70873-0138 |  | 71979-1811 |         | 71979-1911 |         | 71979-2011 | 1.095     | 1.000   |             | 27    |  | PK-70873-0138 |  | 71979-1834 |         | 71979-1934 |         | 71979-2034 | 3.395<br>(86.23) | 3.300<br>(83.82) |
|             |       |  | PK-70873-0918 | X  | 71979-3811 | X       | 71979-3911 | X       | 71979-4011 | (27.81)   | (25.40) |             |       |  | PK-70873-0138 |  | 71979-1835 |         | 71979-1935 |         | 71979-2035 | 3.495<br>(88.77) | 3.400<br>(86.36) |
| 12          | 24    |  | PK-70873-0138 |  | 71979-1812 |         | 71979-1912 |         | 71979-2012 | 1.195     | 1.100   |             | 28    |  | PK-70873-0138 |  | 71979-1836 |         | 71979-1936 |         | 71979-2036 | 3.595<br>(91.31) | 3.500<br>(88.90) |
|             |       |  | PK-70873-0918 | X  | 71979-3812 | X       | 71979-3912 | X       | 71979-4012 | (30.35)   | (27.94) |             |       |  | PK-70873-0138 |  |            |         |            |         |            |                  |                  |
| 13          | 26    |  | PK-70873-0138 |  | 71979-1813 |         | 71979-1913 |         | 71979-2013 | 1.295     | 1.200   |             | 29    |  | PK-70873-0138 |  |            |         |            |         |            |                  |                  |
|             |       |  | PK-70873-0918 | X  | 71979-3813 | X       | 71979-3913 | X       | 71979-4013 | (32.89)   | (30.48) |             |       |  | PK-70873-0138 |  |            |         |            |         |            |                  |                  |
| 14          | 28    |  | PK-70873-0138 |  | 71979-1814 |         | 71979-1914 |         | 71979-2014 | 1.395     | 1.300   |             | 30    |  | PK-70873-0138 |  |            |         |            |         |            |                  |                  |
|             |       |  | PK-70873-0918 | X  | 71979-3814 | X       | 71979-3914 | X       | 71979-4014 | (35.43)   | (33.02) |             |       |  | PK-70873-0138 |  |            |         |            |         |            |                  |                  |
| 15          | 30    |  | PK-70873-0138 |  | 71979-1815 |         | 71979-1915 |         | 71979-2015 | 1.495     | 1.400   |             | 31    |  | PK-70873-0138 |  |            |         |            |         |            |                  |                  |
|             |       |  | PK-70873-0918 | X  | 71979-3815 | X       | 71979-3915 | X       | 71979-4015 | (37.97)   | (35.56) |             |       |  | PK-70873-0138 |  |            |         |            |         |            |                  |                  |
| 16          | 32    |  | PK-70873-0138 |  | 71979-1816 |         | 71979-1916 |         | 71979-2016 | 1.595     | 1.500   |             | 32    |  | PK-70873-0138 |  |            |         |            |         |            |                  |                  |
|             |       |  | PK-70873-0918 | X  | 71979-3816 | X       | 71979-3916 | X       | 71979-4016 | (40.51)   | (38.10) |             |       |  | PK-70873-0138 |  |            |         |            |         |            |                  |                  |
| 17          | 34    |  | PK-70873-0138 |  | 71979-1817 |         | 71979-1917 |         | 71979-2017 | 1.695     | 1.600   |             | 33    |  | PK-70873-0138 |  |            |         |            |         |            |                  |                  |
|             |       |  | PK-70873-0918 | X  | 71979-3817 | X       | 71979-3917 | X       | 71979-4017 | (43.05)   | (40.64) |             |       |  | PK-70873-0138 |  |            |         |            |         |            |                  |                  |
| 18          | 36    |  | PK-70873-0138 |  | 71979-1818 |         | 71979-1918 |         | 71979-2018 | 1.795     | 1.700   |             | 34    |  | PK-70873-0138 |  |            |         |            |         |            |                  |                  |
|             |       |  | PK-70873-0918 | X  | 71979-3818 | X       | 71979-3918 | X       | 71979-4018 | (45.59)   | (43.18) |             |       |  | PK-70873-0138 |  |            |         |            |         |            |                  |                  |
| 19          | 38    |  | PK-70873-0138 |  | 71979-1819 |         | 71979-1919 |         | 71979-2019 | 1.895     | 1.800   |             | 35    |  | PK-70873-0138 |  |            |         |            |         |            |                  |                  |
|             |       |  | PK-70873-0918 | X  | 71979-3819 | X       | 71979-3919 | X       | 71979-4019 | (48.13)   | (45.72) |             |       |  | PK-70873-0138 |  |            |         |            |         |            |                  |                  |

"X" INDICATES TOOLING IS NOT AVAILABLE.

REVISED  
EC NO: S2009-0814  
2009/09/01  
DRWN:SKANG  
2009/09/04  
CHKD:ATSEE  
2009/09/05  
APPR:MLONG

QUALITY SYMBOLS  
▽=0  
◻=0

GENERAL TOLERANCES (UNLESS SPECIFIED)

|                | mm     | INCH  |
|----------------|--------|-------|
| 4 PLACES       | ± ---  | ± --- |
| 3 PLACES       | ± ---  | ± --- |
| 2 PLACES       | ± ---  | ± .01 |
| 1 PLACE        | ± 0.25 | ± --- |
| ANGULAR ± 1/2° |        |       |

DRAFT WHERE APPLICABLE  
MUST REMAIN  
WITHIN DIMENSIONS

DIMENSION STYLE  
IN/MM

SCALE  
NTS

DESIGN UNITS  
INCH

THIRD ANGLE PROJECTION

DRAWN BY: DJB DATE: 1995/03/15  
CHECKED BY: DJB DATE: 1995/03/15  
APPROVED BY: DJB DATE: 1995/03/15

MATERIAL NO. SEE TABLE  
DOCUMENT NO. SDA-71979-\*\*\*\*  
SHEET NO. 9 OF 12

THIS DRAWING CONTAINS INFORMATION THAT IS PROPRIETARY TO MOLEX INCORPORATED AND SHOULD NOT BE USED WITHOUT WRITTEN PERMISSION

| NO. OF CKTS |       | OPTION D ASSEMBLY<br>PLATINGS PER ES-88-****<br>(SEE SHEET 1 FOR PLATING SPECIFICATIONS) |  |  |             |             | DIMENSION   |                  |                  | NO. OF CKTS |         | OPTION D ASSEMBLY<br>PLATINGS PER ES-88-****<br>(SEE SHEET 1 FOR PLATING SPECIFICATIONS) |  |  |  |             | DIMENSION   |             |                  |                  |  |
|-------------|-------|--|--|--|-------------|-------------|-------------|------------------|------------------|-------------|---------|--|--|--|--|-------------|-------------|-------------|------------------|------------------|--|
| PER ROW     | TOTAL |  |  |  | 15 GOLD     | 30 GOLD     | 50 GOLD     | A                | B                |             | PER ROW | TOTAL  |  |  |  | 15 GOLD     | 30 GOLD     | 50 GOLD     | A                | B                |  |
| 4           | 8     |  |  |  | 7 1979-2604 | 7 1979-2704 | 7 1979-2804 | .395<br>(10.03)  | .300<br>(7.62)   |             | 34      | 68   |  |  |  | 7 1979-2634 | 7 1979-2734 | 7 1979-2834 | 3.395<br>(86.23) | 3.300<br>(83.82) |  |
| 5           | 10    |  |  |  | 7 1979-2605 | 7 1979-2705 | 7 1979-2805 | .495<br>(12.57)  | .400<br>(10.16)  |             | 35      | 70   |  |  |  | 7 1979-2635 | 7 1979-2735 | 7 1979-2835 | 3.495<br>(88.77) | 3.400<br>(86.36) |  |
| 6           | 12    |  |  |  | 7 1979-2606 | 7 1979-2706 | 7 1979-2806 | .595<br>(15.1)   | .500<br>(12.70)  |             | 36      | 72   |  |  |  | 7 1979-2636 | 7 1979-2736 | 7 1979-2836 | 3.595<br>(91.31) | 3.500<br>(88.90) |  |
| 7           | 14    |  |  |  | 7 1979-2607 | 7 1979-2707 | 7 1979-2807 | .695<br>(17.65)  | .600<br>(15.24)  |             |         |  |  |  |  |             |             |             |                  |                  |  |
| 8           | 16    |  |  |  | 7 1979-2608 | 7 1979-2708 | 7 1979-2808 | .795<br>(20.19)  | .700<br>(17.78)  |             |         |  |  |  |  |             |             |             |                  |                  |  |
| 9           | 18    |  |  |  | 7 1979-2609 | 7 1979-2709 | 7 1979-2809 | .895<br>(22.73)  | .800<br>(20.32)  |             |         |  |  |  |  |             |             |             |                  |                  |  |
| 10          | 20    |  |  |  | 7 1979-2610 | 7 1979-2710 | 7 1979-2810 | .995<br>(25.27)  | .900<br>(22.86)  |             |         |  |  |  |  |             |             |             |                  |                  |  |
| 11          | 22    |  |  |  | 7 1979-2611 | 7 1979-2711 | 7 1979-2811 | 1.095<br>(27.81) | 1.000<br>(25.40) |             |         |  |  |  |  |             |             |             |                  |                  |  |
| 12          | 24    |  |  |  | 7 1979-2612 | 7 1979-2712 | 7 1979-2812 | 1.195<br>(30.35) | 1.100<br>(27.94) |             |         |  |  |  |  |             |             |             |                  |                  |  |
| 13          | 26    |  |  |  | 7 1979-2613 | 7 1979-2713 | 7 1979-2813 | 1.295<br>(32.89) | 1.200<br>(30.48) |             |         |  |  |  |  |             |             |             |                  |                  |  |
| 14          | 28    |  |  |  | 7 1979-2614 | 7 1979-2714 | 7 1979-2814 | 1.395<br>(35.43) | 1.300<br>(33.02) |             |         |  |  |  |  |             |             |             |                  |                  |  |
| 15          | 30    |  |  |  | 7 1979-2615 | 7 1979-2715 | 7 1979-2815 | 1.495<br>(37.97) | 1.400<br>(35.56) |             |         |  |  |  |  |             |             |             |                  |                  |  |
| 16          | 32    |  |  |  | 7 1979-2616 | 7 1979-2716 | 7 1979-2816 | 1.595<br>(40.51) | 1.500<br>(38.10) |             |         |  |  |  |  |             |             |             |                  |                  |  |
| 17          | 34    |  |  |  | 7 1979-2617 | 7 1979-2717 | 7 1979-2817 | 1.695<br>(43.05) | 1.600<br>(40.64) |             |         |  |  |  |  |             |             |             |                  |                  |  |
| 18          | 36    |  |  |  | 7 1979-2618 | 7 1979-2718 | 7 1979-2818 | 1.795<br>(45.59) | 1.700<br>(43.18) |             |         |  |  |  |  |             |             |             |                  |                  |  |
| 19          | 38    |  |  |  | 7 1979-2619 | 7 1979-2719 | 7 1979-2819 | 1.895<br>(48.13) | 1.800<br>(45.72) |             |         |  |  |  |  |             |             |             |                  |                  |  |
| 20          | 40    |  |  |  | 7 1979-2620 | 7 1979-2720 | 7 1979-2820 | 1.995<br>(50.67) | 1.900<br>(48.26) |             |         |  |  |  |  |             |             |             |                  |                  |  |
| 21          | 42    |  |  |  | 7 1979-2621 | 7 1979-2721 | 7 1979-2821 | 2.095<br>(53.21) | 2.000<br>(50.80) |             |         |  |  |  |  |             |             |             |                  |                  |  |
| 22          | 44    |  |  |  | 7 1979-2622 | 7 1979-2722 | 7 1979-2822 | 2.195<br>(55.75) | 2.100<br>(53.34) |             |         |  |  |  |  |             |             |             |                  |                  |  |
| 23          | 46    |  |  |  | 7 1979-2623 | 7 1979-2723 | 7 1979-2823 | 2.295<br>(58.29) | 2.200<br>(55.88) |             |         |  |  |  |  |             |             |             |                  |                  |  |
| 24          | 48    |  |  |  | 7 1979-2624 | 7 1979-2724 | 7 1979-2824 | 2.395<br>(60.83) | 2.300<br>(58.42) |             |         |  |  |  |  |             |             |             |                  |                  |  |
| 25          | 50    |  |  |  | 7 1979-2625 | 7 1979-2725 | 7 1979-2825 | 2.495<br>(63.37) | 2.400<br>(60.96) |             |         |  |  |  |  |             |             |             |                  |                  |  |
| 26          | 52    |  |  |  | 7 1979-2626 | 7 1979-2726 | 7 1979-2826 | 2.595<br>(65.91) | 2.500<br>(63.50) |             |         |  |  |  |  |             |             |             |                  |                  |  |
| 27          | 54    |  |  |  | 7 1979-2627 | 7 1979-2727 | 7 1979-2827 | 2.695<br>(68.45) | 2.600<br>(66.04) |             |         |  |  |  |  |             |             |             |                  |                  |  |
| 28          | 56    |  |  |  | 7 1979-2628 | 7 1979-2728 | 7 1979-2828 | 2.795<br>(70.99) | 2.700<br>(68.58) |             |         |  |  |  |  |             |             |             |                  |                  |  |
| 29          | 58    |  |  |  | 7 1979-2629 | 7 1979-2729 | 7 1979-2829 | 2.895<br>(73.53) | 2.800<br>(71.12) |             |         |  |  |  |  |             |             |             |                  |                  |  |
| 30          | 60    |  |  |  | 7 1979-2630 | 7 1979-2730 | 7 1979-2830 | 2.995<br>(76.07) | 2.900<br>(73.66) |             |         |  |  |  |  |             |             |             |                  |                  |  |
| 31          | 62    |  |  |  | 7 1979-2631 | 7 1979-2731 | 7 1979-2831 | 3.095<br>(78.61) | 3.000<br>(76.20) |             |         |  |  |  |  |             |             |             |                  |                  |  |
| 32          | 64    |  |  |  | 7 1979-2632 | 7 1979-2732 | 7 1979-2832 | 3.195<br>(81.15) | 3.100<br>(78.74) |             |         |  |  |  |  |             |             |             |                  |                  |  |
| 33          | 66    |  |  |  | 7 1979-2633 | 7 1979-2733 | 7 1979-2833 | 3.295<br>(83.69) | 3.200<br>(81.28) |             |         |  |  |  |  |             |             |             |                  |                  |  |

NOTE: ALL CONNECTORS ARE PACKAGED IN TUBES PER PK-70873-0138

\*X\* INDICATES TOOLING IS NOT AVAILABLE.

REVISED  
EC NO: S2009-0814  
DRWN:SKANG  
CHKD:ATSEE  
APPR:MLONG  
2009/09/01  
2009/09/04  
2009/09/05

QUALITY SYMBOLS  
▽=0  
◻=0  
DESCRIPTION  
REV

GENERAL TOLERANCES (UNLESS SPECIFIED)

|                | mm     | INCH  |
|----------------|--------|-------|
| 4 PLACES       | ± ---  | ± --- |
| 3 PLACES       | ± ---  | ± --- |
| 2 PLACES       | ± ---  | ± .01 |
| 1 PLACE        | ± 0.25 | ± --- |
| ANGULAR ± 1/2° |        |       |

DRAFT WHERE APPLICABLE  
MUST REMAIN  
WITHIN DIMENSIONS

DIMENSION STYLE  
IN/MM

DRAWN BY: DJB  
DATE: 1995/03/15

CHECKED BY: DJB  
DATE: 1995/03/15

APPROVED BY: DJB  
DATE: 1995/03/15

MATERIAL NO. SEE TABLE

SIZE: A3

SCALE: NTS  
DESIGN UNITS: INCH  
THIRD ANGLE PROJECTION

TITLE: SMT RECEPTACLE  
RIGHT ANGLE, DUAL ROW  
WITH AND WITHOUT PEG

MOLEX MOLEX INCORPORATED

DOCUMENT NO. SDA-71979-\*\*\*\*  
SHEET NO. 10 OF 12

THIS DRAWING CONTAINS INFORMATION THAT IS PROPRIETARY TO MOLEX INCORPORATED AND SHOULD NOT BE USED WITHOUT WRITTEN PERMISSION

| NO. OF CKTS |       | OPTION E ASSEMBLY<br>PLATING PER ES-88-(****)<br>(SEE SHEET 1 FOR PLATING SPECIFICATIONS) |            |            |                  |                  | DIMENSION |  |  |
|-------------|-------|---|------------|------------|------------------|------------------|-----------|--|--|
| PER ROW     | TOTAL | 15 GOLD   | 30 GOLD    | 50 GOLD    | A                | B                |           |  |  |
| 4           | 8     | 71979-3004  | 71979-3104 | 71979-3204 | .658<br>(16.71)  | .300<br>(7.62)   |           |  |  |
| 5           | 10    | 71979-3005  | 71979-3105 | 71979-3205 | .758<br>(19.25)  | .400<br>(10.16)  |           |  |  |
| 6           | 12    | 71979-3006  | 71979-3106 | 71979-3206 | .858<br>(21.79)  | .500<br>(12.70)  |           |  |  |
| 7           | 14    | 71979-3007  | 71979-3107 | 71979-3207 | .958<br>(24.33)  | .600<br>(15.24)  |           |  |  |
| 8           | 16    | 71979-3008  | 71979-3108 | 71979-3208 | 1.058<br>(26.87) | .700<br>(17.78)  |           |  |  |
| 9           | 18    | 71979-3009  | 71979-3109 | 71979-3209 | 1.158<br>(29.41) | .800<br>(20.32)  |           |  |  |
| 10          | 20    | 71979-3010  | 71979-3110 | 71979-3210 | 1.258<br>(31.95) | .900<br>(22.86)  |           |  |  |
| 11          | 22    | 71979-3011  | 71979-3111 | 71979-3211 | 1.358<br>(34.49) | 1.000<br>(25.40) |           |  |  |
| 12          | 24    | 71979-3012  | 71979-3112 | 71979-3212 | 1.458<br>(37.03) | 1.100<br>(27.94) |           |  |  |
| 13          | 26    | 71979-3013  | 71979-3113 | 71979-3213 | 1.558<br>(39.57) | 1.200<br>(30.48) |           |  |  |
| 14          | 28    | 71979-3014  | 71979-3114 | 71979-3214 | 1.658<br>(42.11) | 1.300<br>(33.02) |           |  |  |
| 15          | 30    | 71979-3015  | 71979-3115 | 71979-3215 | 1.758<br>(44.65) | 1.400<br>(35.56) |           |  |  |
| 16          | 32    | 71979-3016  | 71979-3116 | 71979-3216 | 1.858<br>(47.19) | 1.500<br>(38.10) |           |  |  |
| 17          | 34    | 71979-3017  | 71979-3117 | 71979-3217 | 1.958<br>(49.73) | 1.600<br>(40.64) |           |  |  |
| 18          | 36    | 71979-3018  | 71979-3118 | 71979-3218 | 2.058<br>(52.27) | 1.700<br>(43.18) |           |  |  |
| 19          | 38    | 71979-3019  | 71979-3119 | 71979-3219 | 2.158<br>(54.81) | 1.800<br>(45.72) |           |  |  |
| 20          | 40    | 71979-3020  | 71979-3120 | 71979-3220 | 2.258<br>(57.35) | 1.900<br>(48.26) |           |  |  |
| 21          | 42    | 71979-3021  | 71979-3121 | 71979-3221 | 2.358<br>(59.89) | 2.000<br>(50.80) |           |  |  |
| 22          | 44    | 71979-3022  | 71979-3122 | 71979-3222 | 2.458<br>(62.43) | 2.100<br>(53.34) |           |  |  |
| 23          | 46    | 71979-3023  | 71979-3123 | 71979-3223 | 2.558<br>(64.97) | 2.200<br>(55.88) |           |  |  |
| 24          | 48    | 71979-3024  | 71979-3124 | 71979-3224 | 2.658<br>(67.51) | 2.300<br>(58.42) |           |  |  |
| 25          | 50    | 71979-3025  | 71979-3125 | 71979-3225 | 2.758<br>(70.05) | 2.400<br>(60.96) |           |  |  |
| 26          | 52    | 71979-3026  | 71979-3126 | 71979-3226 | 2.858<br>(72.59) | 2.500<br>(63.50) |           |  |  |
| 27          | 54    | 71979-3027  | 71979-3127 | 71979-3227 | 2.958<br>(75.13) | 2.600<br>(66.04) |           |  |  |
| 28          | 56    | 71979-3028  | 71979-3128 | 71979-3228 | 3.058<br>(77.67) | 2.700<br>(68.58) |           |  |  |
| 29          | 58    | 71979-3029  | 71979-3129 | 71979-3229 | 3.158<br>(80.21) | 2.800<br>(71.12) |           |  |  |
| 30          | 60    | 71979-3030  | 71979-3130 | 71979-3230 | 3.258<br>(82.75) | 2.900<br>(73.66) |           |  |  |
| 31          | 62    | 71979-3031  | 71979-3131 | 71979-3231 | 3.358<br>(85.29) | 3.000<br>(76.20) |           |  |  |
| 32          | 64    | 71979-3032  | 71979-3132 | 71979-3232 | 3.458<br>(87.83) | 3.100<br>(78.74) |           |  |  |
| 33          | 66    | 71979-3033  | 71979-3133 | 71979-3233 | 3.558<br>(90.37) | 3.200<br>(81.28) |           |  |  |

| NO. OF CKTS |       | OPTION E ASSEMBLY<br>PLATING PER ES-88-(****)<br>(SEE SHEET 1 FOR PLATING SPECIFICATIONS) |            |            |                  |                  | DIMENSION |  |  |
|-------------|-------|---|------------|------------|------------------|------------------|-----------|--|--|
| PER ROW     | TOTAL | 15 GOLD   | 30 GOLD    | 50 GOLD    | A                | B                |           |  |  |
| 34          | 68    | 71979-3034  | 71979-3134 | 71979-3234 | 3.658<br>(92.91) | 3.300<br>(83.82) |           |  |  |
| 35          | 70    | 71979-3035  | 71979-3135 | 71979-3235 | 3.758<br>(95.45) | 3.400<br>(86.36) |           |  |  |
| 36          | 72    | 71979-3036  | 71979-3136 | 71979-3236 | 3.858<br>(97.99) | 3.500<br>(88.90) |           |  |  |

NOTE: ALL CONNECTORS ARE PACKAGED IN TUBES PER PK-70873-0139

"X" INDICATES TOOLING IS NOT AVAILABLE.

REVISED  
EC NO: S2009-0814  
2009/09/01  
DRWN:SKANG  
CHKD:ATSEE  
2009/09/04  
APPR:MLONG  
2009/09/05

QUALITY SYMBOLS  
▽=0  
◁=0

GENERAL TOLERANCES (UNLESS SPECIFIED)

|                | mm     | INCH  |
|----------------|--------|-------|
| 4 PLACES       | ± ---  | ± --- |
| 3 PLACES       | ± ---  | ± --- |
| 2 PLACES       | ± ---  | ± .01 |
| 1 PLACE        | ± 0.25 | ± --- |
| ANGULAR ± 1/2° |        |       |

DRAFT WHERE APPLICABLE  
MUST REMAIN  
WITHIN DIMENSIONS

DIMENSION STYLE  
IN/MM

DRAWN BY: DJB  
DATE: 1995/03/15

CHECKED BY: DJB  
DATE: 1995/03/15

APPROVED BY: DJB  
DATE: 1995/03/15

MATERIAL NO. SEE TABLE

SCALE: NTS  
DESIGN UNITS: INCH  
THIRD ANGLE PROJECTION

TITLE: SMT RECEPTACLE  
RIGHT ANGLE, DUAL ROW  
WITH AND WITHOUT PEG

MOLEX INCORPORATED

DOCUMENT NO. SDA-71979-\*\*\*\*  
SHEET NO. 11 OF 12

THIS DRAWING CONTAINS INFORMATION THAT IS PROPRIETARY TO MOLEX INCORPORATED AND SHOULD NOT BE USED WITHOUT WRITTEN PERMISSION

| 10          |       | 9  |  | 8          |            | 7          |                  | 6                |                  | 5 |         | 4           |         | 3  |            | 2          |            | 1                |                  |                  |   |  |  |
|-------------|-------|--|--|------------|------------|------------|------------------|------------------|------------------|---|---------|-------------|---------|--|------------|------------|------------|------------------|------------------|------------------|---|--|--|
| NO. OF CKTS |       | OPTION F ASSEMBLY<br>PLATING PER ES-88-(***)<br>(SEE SHEET 1 FOR PLATING SPECIFICATIONS) |  |            |            |            |                  | DIMENSION        |                  |   |         | NO. OF CKTS |         | OPTION F ASSEMBLY<br>PLATING PER ES-88-(***)<br>(SEE SHEET 1 FOR PLATING SPECIFICATIONS) |            |            |            |                  |                  | DIMENSION        |   |  |  |
| PER ROW     | TOTAL | 15 GOLD  |  | 30 GOLD    |            | 50 GOLD    |                  | A                | B                | C | PER ROW | TOTAL       | 15 GOLD |  | 30 GOLD    |            | 50 GOLD    |                  | A                | B                | C |  |  |
| 4           | 8     |  |  | 71979-3404 | 71979-3504 | 71979-3604 | .658<br>(16.71)  | .300<br>(7.62)   | .200<br>(5.08)   |   | 34      | 68          |         |  | 71979-3434 | 71979-3534 | 71979-3634 | 3.658<br>(92.91) | 3.300<br>(83.82) | 3.200<br>(81.28) |   |  |  |
| 5           | 10    |  |  | 71979-3405 | 71979-3505 | 71979-3605 | .758<br>(19.25)  | .400<br>(10.16)  | .300<br>(7.62)   |   | 35      | 70          |         |  | 71979-3435 | 71979-3535 | 71979-3635 | 3.758<br>(95.45) | 3.400<br>(86.36) | 3.300<br>(83.82) |   |  |  |
| 6           | 12    |  |  | 71979-3406 | 71979-3506 | 71979-3606 | .858<br>(21.79)  | .500<br>(12.70)  | .400<br>(10.16)  |   | 36      | 72          |         |  | 71979-3436 | 71979-3536 | 71979-3636 | 3.858<br>(97.99) | 3.500<br>(88.90) | 3.400<br>(86.36) |   |  |  |
| 7           | 14    |  |  | 71979-3407 | 71979-3507 | 71979-3607 | .958<br>(24.33)  | .600<br>(15.24)  | .500<br>(12.70)  |   |         |             |         |  |            |            |            |                  |                  |                  |   |  |  |
| 8           | 16    |  |  | 71979-3408 | 71979-3508 | 71979-3608 | 1.058<br>(26.87) | .700<br>(17.78)  | .600<br>(15.24)  |   |         |             |         |  |            |            |            |                  |                  |                  |   |  |  |
| 9           | 18    |  |  | 71979-3409 | 71979-3509 | 71979-3609 | 1.158<br>(29.41) | .800<br>(20.32)  | .700<br>(17.78)  |   |         |             |         |  |            |            |            |                  |                  |                  |   |  |  |
| 10          | 20    |  |  | 71979-3410 | 71979-3510 | 71979-3610 | 1.258<br>(31.95) | .900<br>(22.86)  | .800<br>(20.32)  |   |         |             |         |  |            |            |            |                  |                  |                  |   |  |  |
| 11          | 22    |  |  | 71979-3411 | 71979-3511 | 71979-3611 | 1.358<br>(34.49) | 1.000<br>(25.40) | .900<br>(22.86)  |   |         |             |         |  |            |            |            |                  |                  |                  |   |  |  |
| 12          | 24    |  |  | 71979-3412 | 71979-3512 | 71979-3612 | 1.458<br>(37.03) | 1.100<br>(27.94) | 1.000<br>(25.40) |   |         |             |         |  |            |            |            |                  |                  |                  |   |  |  |
| 13          | 26    |  |  | 71979-3413 | 71979-3513 | 71979-3613 | 1.558<br>(39.57) | 1.200<br>(30.48) | 1.100<br>(27.94) |   |         |             |         |  |            |            |            |                  |                  |                  |   |  |  |
| 14          | 28    |  |  | 71979-3414 | 71979-3514 | 71979-3614 | 1.658<br>(42.11) | 1.300<br>(33.02) | 1.200<br>(30.48) |   |         |             |         |  |            |            |            |                  |                  |                  |   |  |  |
| 15          | 30    |  |  | 71979-3415 | 71979-3515 | 71979-3615 | 1.758<br>(44.65) | 1.400<br>(35.56) | 1.300<br>(33.02) |   |         |             |         |  |            |            |            |                  |                  |                  |   |  |  |
| 16          | 32    |  |  | 71979-3416 | 71979-3516 | 71979-3616 | 1.858<br>(47.19) | 1.500<br>(38.10) | 1.400<br>(35.56) |   |         |             |         |  |            |            |            |                  |                  |                  |   |  |  |
| 17          | 34    |  |  | 71979-3417 | 71979-3517 | 71979-3617 | 1.958<br>(49.73) | 1.600<br>(40.64) | 1.500<br>(38.10) |   |         |             |         |  |            |            |            |                  |                  |                  |   |  |  |
| 18          | 36    |  |  | 71979-3418 | 71979-3518 | 71979-3618 | 2.058<br>(52.27) | 1.700<br>(43.18) | 1.600<br>(40.64) |   |         |             |         |  |            |            |            |                  |                  |                  |   |  |  |
| 19          | 38    |  |  | 71979-3419 | 71979-3519 | 71979-3619 | 2.158<br>(54.81) | 1.800<br>(45.72) | 1.700<br>(43.18) |   |         |             |         |  |            |            |            |                  |                  |                  |   |  |  |
| 20          | 40    |  |  | 71979-3420 | 71979-3520 | 71979-3620 | 2.258<br>(57.35) | 1.900<br>(48.26) | 1.800<br>(45.72) |   |         |             |         |  |            |            |            |                  |                  |                  |   |  |  |
| 21          | 42    |  |  | 71979-3421 | 71979-3521 | 71979-3621 | 2.358<br>(59.89) | 2.000<br>(50.80) | 1.900<br>(48.26) |   |         |             |         |  |            |            |            |                  |                  |                  |   |  |  |
| 22          | 44    |  |  | 71979-3422 | 71979-3522 | 71979-3622 | 2.458<br>(62.43) | 2.100<br>(53.34) | 2.000<br>(50.80) |   |         |             |         |  |            |            |            |                  |                  |                  |   |  |  |
| 23          | 46    |  |  | 71979-3423 | 71979-3523 | 71979-3623 | 2.558<br>(64.97) | 2.200<br>(55.88) | 2.100<br>(53.34) |   |         |             |         |  |            |            |            |                  |                  |                  |   |  |  |
| 24          | 48    |  |  | 71979-3424 | 71979-3524 | 71979-3624 | 2.658<br>(67.51) | 2.300<br>(58.42) | 2.200<br>(55.88) |   |         |             |         |  |            |            |            |                  |                  |                  |   |  |  |
| 25          | 50    |  |  | 71979-3425 | 71979-3525 | 71979-3625 | 2.758<br>(70.05) | 2.400<br>(60.96) | 2.300<br>(58.42) |   |         |             |         |  |            |            |            |                  |                  |                  |   |  |  |
| 26          | 52    |  |  | 71979-3426 | 71979-3526 | 71979-3626 | 2.858<br>(72.59) | 2.500<br>(63.50) | 2.400<br>(60.96) |   |         |             |         |  |            |            |            |                  |                  |                  |   |  |  |
| 27          | 54    |  |  | 71979-3427 | 71979-3527 | 71979-3627 | 2.958<br>(75.13) | 2.600<br>(66.04) | 2.500<br>(63.50) |   |         |             |         |  |            |            |            |                  |                  |                  |   |  |  |
| 28          | 56    |  |  | 71979-3428 | 71979-3528 | 71979-3628 | 3.058<br>(77.67) | 2.700<br>(68.58) | 2.600<br>(66.04) |   |         |             |         |  |            |            |            |                  |                  |                  |   |  |  |
| 29          | 58    |  |  | 71979-3429 | 71979-3529 | 71979-3629 | 3.158<br>(80.21) | 2.800<br>(71.12) | 2.700<br>(68.58) |   |         |             |         |  |            |            |            |                  |                  |                  |   |  |  |
| 30          | 60    |  |  | 71979-3430 | 71979-3530 | 71979-3630 | 3.258<br>(82.75) | 2.900<br>(73.66) | 2.800<br>(71.12) |   |         |             |         |  |            |            |            |                  |                  |                  |   |  |  |
| 31          | 62    |  |  | 71979-3431 | 71979-3531 | 71979-3631 | 3.358<br>(85.29) | 3.000<br>(76.20) | 2.900<br>(73.66) |   |         |             |         |  |            |            |            |                  |                  |                  |   |  |  |
| 32          | 64    |  |  | 71979-3432 | 71979-3532 | 71979-3632 | 3.458<br>(87.83) | 3.100<br>(78.74) | 3.000<br>(76.20) |   |         |             |         |  |            |            |            |                  |                  |                  |   |  |  |
| 33          | 66    |  |  | 71979-3433 | 71979-3533 | 71979-3633 | 3.558<br>(90.37) | 3.200<br>(81.28) | 3.100<br>(78.74) |   |         |             |         |  |            |            |            |                  |                  |                  |   |  |  |

NOTE: ALL CONNECTORS ARE PACKAGED IN TUBES PER PK-70873-0139  
"X" INDICATES TOOLING IS NOT AVAILABLE.

REVISED  
EC NO: S2009-0814  
DRWN:SKANG  
CHKD:ATSEE  
APPR:MLONG  
2009/09/01  
2009/09/04  
2009/09/05

QUALITY SYMBOLS  
▽=0  
◻=0  
DESCRIPTION  
REV

GENERAL TOLERANCES (UNLESS SPECIFIED)  
mm INCH  
4 PLACES ± --- ± ---  
3 PLACES ± --- ± ---  
2 PLACES ± --- ± .01  
1 PLACE ± 0.25 ± ---  
ANGULAR ± 1/2°  
DRAFT WHERE APPLICABLE  
MUST REMAIN WITHIN DIMENSIONS

DIMENSION STYLE  
IN/MM  
DRAWN BY DATE  
DJB 1995/03/15  
CHECKED BY DATE  
DJB 1995/03/15  
APPROVED BY DATE  
DJB 1995/03/15  
MATERIAL NO.  
SEE TABLE  
SIZE  
A3

SCALE  
NTS  
DESIGN UNITS  
INCH  
THIRD ANGLE PROJECTION  
TITLE  
SMT RECEPTACLE  
RIGHT ANGLE, DUAL ROW  
WITH AND WITHOUT PEG  
MOLEX INCORPORATED  
DOCUMENT NO.  
SDA-71979-\*\*\*  
SHEET NO.  
12 OF 12  
THIS DRAWING CONTAINS INFORMATION THAT IS PROPRIETARY TO MOLEX  
INCORPORATED AND SHOULD NOT BE USED WITHOUT WRITTEN PERMISSION