

PLEASE CHECK WWW.MOLEX.COM FOR LATEST PART INFORMATION

Part Number: [0945294112](#)
Status: **Active**
Description: 5.00mm (.197") Pitch RAST, Receptacle, Natural Color, PA Polyamide (Nylon) 6/6, 12 Circuits, Glow Wire Compatible

Documents:

[Drawing \(PDF\)](#) [Product Specification PS-94529-002 \(PDF\)](#)
[Product Specification PS-94529-001 \(PDF\)](#) [RoHS Certificate of Compliance \(PDF\)](#)

Agency Certification

CSA LR19980
 UL E29179

General

Product Family Crimp Housings
 Series [94529](#)
 Product Name Pitch 5 Edge Card

Physical

Breakaway No
 Circuits (maximum) 12
 Color - Resin Natural
 Flammability 94V-0
 Gender Female
 Glow-Wire Compliant Yes
 Lock to Mating Part Yes
 Material - Resin Nylon
 Number of Rows 1
 Packaging Type Bag
 Panel Mount No
 Pitch - Mating Interface (in) 0.197 In
 Pitch - Mating Interface (mm) 5.00 mm
 Pitch - Term. Interface (in) 0.197 In
 Pitch - Term. Interface (mm) 5.00 mm
 Polarized to Mating Part Yes
 Ports 1
 Stackable No
 Temperature Range - Operating -40°C to +105°C, -40°C to +85°C

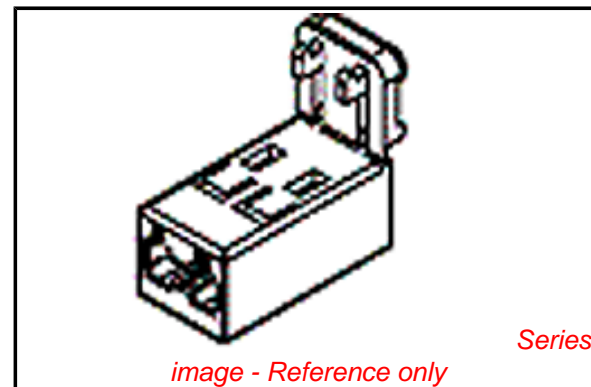
Electrical

Current - Maximum per Contact 6A

Material Info

Reference - Drawing Numbers

Product Specification PS-94529-001, PS-94529-002
 Sales Drawing SD-94529-012



EU RoHS

**ELV and RoHS
 Compliant
 REACH SVHC
 Not Reviewed
 Halogen-Free
 Status
 Not Reviewed**

China RoHS



**Need more information on product
 environmental compliance?**

Email productcompliance@molex.com
 For a multiple part number RoHS Certificate of Compliance, [click here](#)

Please visit the [Contact Us](#) section for any non-product compliance questions.

Search Parts in this Series

[94529Series](#)

Mates With

PCB thickness 1.50mm (.059")

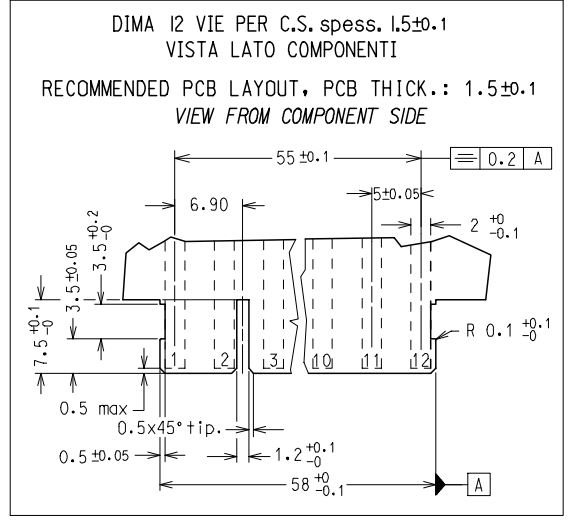
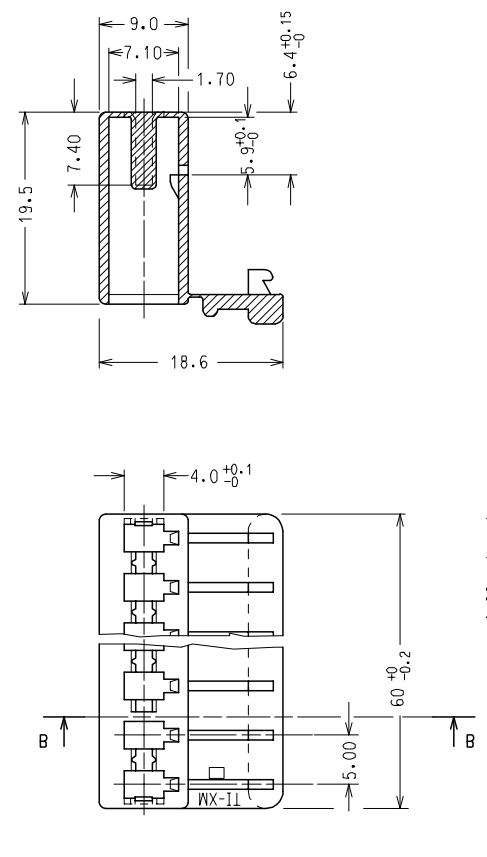
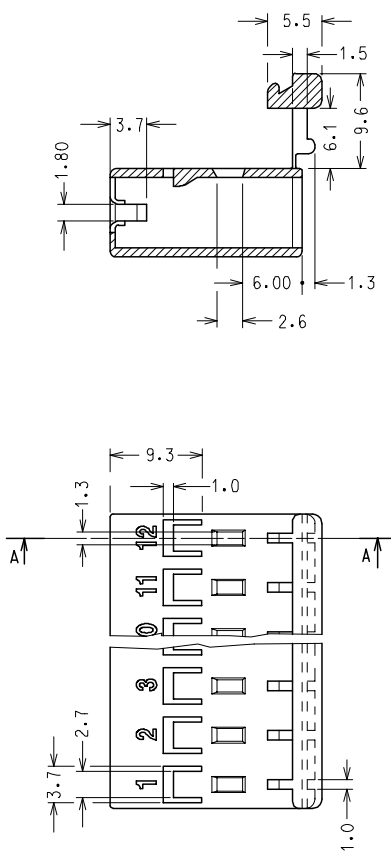
Use With

[94529-1203 Terminal](#)

10 9 8 7 6 5 4 3 2 1

SECTION A-A

SECTION B-B



CODICE	P/N	COLORE	MATERIALE
94529-9112		NATURALE (NATURAL)	PA 66 UL94 V2 GWT 850°C
94529-9212		NERO (BLACK)	
94529-7112		NATURALE (NATURAL)	PA 66 UL94 V0
94529-4112		NATURALE (NATURAL)	NYLON 6.6 GWT 750 °C sec. IEC 60335-1
94529-4212		NERO (BLACK)	TEST METHOD IEC 60695-2-11

NOTA: LE DIMENSIONI VANNO MISURATE CON CORPI STABILIZZATI SECONDO NG 2301. (AUMENTO IN PESO DEL 2.7 %)

NOTE: PARTS SHALL BE DIMENSIONALLY CHECKED AFTER ATTAINING EQUILIBRIUM CONDITIONS E.G. 2% INCREASE IN WEIGHT FOR HUMIDITY ABSORPTION FROM DRY STATUS.

CARATTERISTICHE PRODOTTO SECONDO PS-94529
PRODUCT CHARACTERISTICS ACCORDING TO PS-94529 E

CONFEZIONE: 1800 pz. IN SCATOLA
PACKAGING: 1800 pcs IN CARTON BOX

SFQ: 1800 pz.

Descr. Std: HSG FOR FORK TERMINAL 12 CKT

EC NO: Z2006-0107 DRWN: FGOTTARDI 005/12/20 CHKD: RSANDANI 005/12/20 APPR: GZUINI 2006/01/09 B4	QUALITY SYMBOLS ▴ -0 ▽ -0	GENERAL TOLERANCES (UNLESS SPECIFIED) <table border="1"> <thead> <tr> <th></th> <th>mm</th> <th>INCH</th> </tr> </thead> <tbody> <tr> <td>4 PLACES</td> <td>± ---</td> <td>± ---</td> </tr> <tr> <td>3 PLACES</td> <td>± ---</td> <td>± ---</td> </tr> <tr> <td>2 PLACES</td> <td>± 0.10</td> <td>± ---</td> </tr> <tr> <td>1 PLACE</td> <td>± 0.2</td> <td>± ---</td> </tr> <tr> <td colspan="3">ANGULAR ± 2 °</td> </tr> </tbody> </table>		mm	INCH	4 PLACES	± ---	± ---	3 PLACES	± ---	± ---	2 PLACES	± 0.10	± ---	1 PLACE	± 0.2	± ---	ANGULAR ± 2 °			SCALE 2:1 DESIGN UNITS METRIC DIMENSION STYLE MM ONLY DRAWN BY FGOTTARDI DATE 2000/01/25 CHECKED BY MTESTAGU DATE 2000/01/25 APPROVED BY RMARTUCC DATE 2000/01/25	FIRST ANGLE PROJECTION REVISE ON CAD ONLY TITLE 12 CKT HOUSING FOR STRAIGHT FORK TERMINAL MOLEX MOLEX INCORPORATED MATERIAL NO. SEE TABLE DOCUMENT NO. SD-94529-012 SHEET NO. 1 OF 1
		mm	INCH																			
	4 PLACES	± ---	± ---																			
	3 PLACES	± ---	± ---																			
2 PLACES	± 0.10	± ---																				
1 PLACE	± 0.2	± ---																				
ANGULAR ± 2 °																						
DRAFT WHERE APPLICABLE MUST REMAIN WITHIN DIMENSIONS		THIS DRAWING CONTAINS INFORMATION THAT IS PROPRIETARY TO MOLEX INCORPORATED AND SHOULD NOT BE USED WITHOUT WRITTEN PERMISSION																				
B4		A3																				
REV		A3																				

9 8 7 6 5 4 3 2 1