

PLEASE CHECK WWW.MOLEX.COM FOR LATEST PART INFORMATION

Part Number: [0504527025](#)
Status: **Active**
Description: Circuit Breaker Terminal for 3/0 AWG, Closed Uninsulated Brazed Barrel, Stud Size 5/16" (M8), Oxygen-Free Copper, Length 50.00mm (1.969")

Documents:

[Drawing \(PDF\)](#) [RoHS Certificate of Compliance \(PDF\)](#)
[Product Specification PS-50449-002 \(PDF\)](#)

Agency Certification

UL E134962

General

Product Family Ring and Spade Terminals
 Series [50452](#)
 Crimp Quality Equipment Yes
 Mil-Spec N/A
 Product Name CB (Circuit Breaker)
 Type Rectangular

Physical

Barrel Type Closed - Brazed
 Insulation None
 Material - Plating Mating Tin
 Packaging Type Bag
 Plating min: Mating (µin) 40
 Plating min: Mating (µm) 1
 Plating min: Termination (µin) 40
 Plating min: Termination (µm) 1
 Stud Size 5/16" (M8)
 Termination Interface: Style Crimp or Compression
 Wire Size AWG 3/0
 Wire Size mm² 76.28 - 96.3

Material Info

Reference - Drawing Numbers

Product Specification PS-50449-002
 Sales Drawing SD-50452-7*25



Series

image - Reference only

EU RoHS

ELV and RoHS Compliant
REACH SVHC
 Not Reviewed
Halogen-Free Status
Not Reviewed

China RoHS



Need more information on product environmental compliance?

Email productcompliance@molex.com
 For a multiple part number RoHS Certificate of Compliance, [click here](#)

Please visit the [Contact Us](#) section for any non-product compliance questions.

Search Parts in this Series

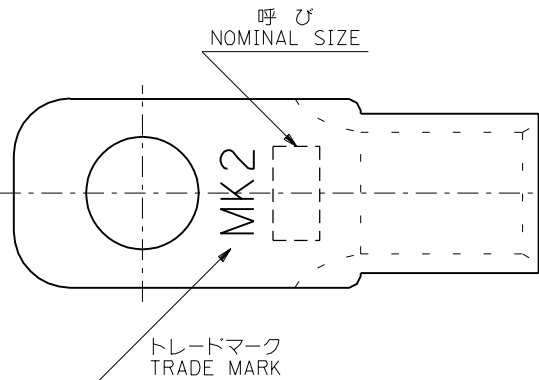
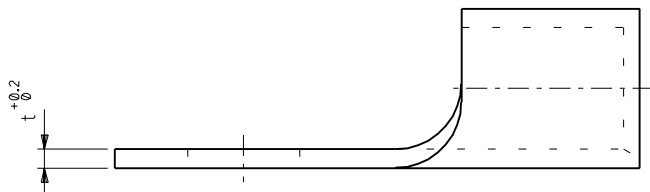
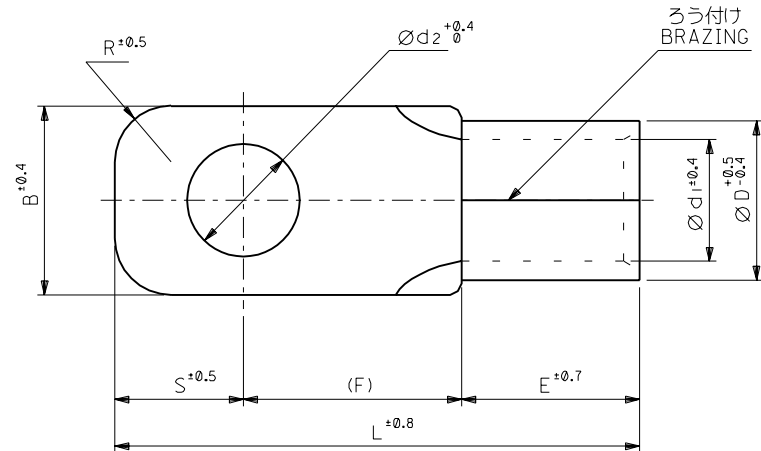
[50452Series](#)

Application Tooling | [FAQ](#)

Tooling specifications and manuals are found by selecting the products below. Crimp Height Specifications are then contained in the Application Tooling Specification document.

Japan

Description	Product #
Tool Kit For 57343-9012	0573439001
Battery Type Hand Crimper For JIS Terminal	0573439004



注記
NOTES

1. 材質 MATERIAL

端子：無酸素銅、スズメッキ
TERMINAL OXYGEN FREE HIGH CONDUCTIVITY COPPER, TIN PLATING
ろう付け部：銀ろう
PART OF BRAZING : SILVER SOLDER

2. 適用電線 APPLICABLE WIRE RANGE

単線 SOLID WIRE	撚線 STRANDED WIRE
Ø9.27-10.41 mm	76.28-96.3 mm ²

2.3	13.0	49.0	10.0	3.7	20.0	19.0	14.5	19.5	22.0	CB80-12S	50452-7425
	10.5	50.0	11.0	6.4						CB80-10S	50452-7325
	8.4	49.0	10.0	3.7						CB80-8S	50452-7125
t	d2	L	S	R	(F)	E	d1	D	B	呼び NOMINAL SIZE	ENG. NO.
											50452-7025

材料 MATERIAL				注記参照 SEE NOTES				molex MOLEX-JAPAN CO.,LTD. 日本モレックス株式会社			
仕上げ FINISH				注記参照 SEE NOTES				REVISE ONLY ON CAD SYSTEM			
適用電線範囲 WIRE RANGE				注記参照 SEE NOTES				TITLE 名称 RING TERMINAL (FOR BREAKER) (銅線用裸圧着端子) (NON-INSULATED CRIMP-STYLE TERMINAL FOR COPPER CONDUCTORS)			
被覆外径 INS. RANGE				—				DWG. NO. SD-50452-7*25			
DRAWN BY '98/09/30 H.IIJIMA				CHK'D BY '98/10/02 T.YAMAGUCHI				REV 0			
APP'D BY '98/10/02 M.FUKUSHIMA				SCALE —							
角度 ANGLE		30°		新規作成 (JC90124)		DR. / CHK. 日付 DATE		98/10/02			
30°以上 OVER		+0.5		変更内容 REVISION RECORD		LTR					
10°以上 30°未満 OVER UNDER		+0.25									
10°未満 UNDER		+0.2									
一般公差 GENERAL TOLERANCES											