

**PLEASE CHECK WWW.MOLEX.COM FOR LATEST PART INFORMATION**

**Part Number:** [0510350500](#)  
**Status:** **Active**  
**Description:** 2.50mm (.098") Pitch Board-In Housing, 5 Circuits

**Documents:**

<a href="#">3D Model</a>	<a href="#">Product Specification PS-51035-002 (PDF)</a>
<a href="#">Drawing (PDF)</a>	<a href="#">RoHS Certificate of Compliance (PDF)</a>
<a href="#">Product Specification PS-51035-001 (PDF)</a>	

**General**

Product Family	Crimp Housings
Series	51035
Product Name	Board-In

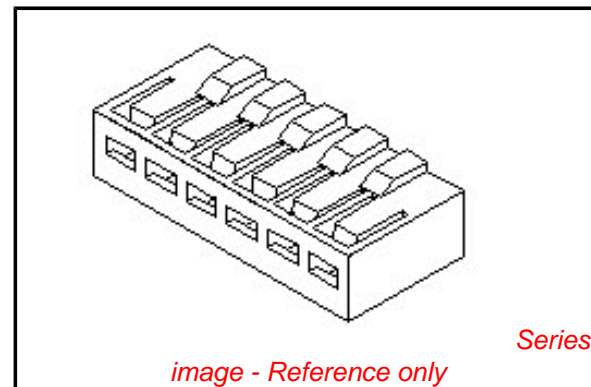
**Physical**

Circuits (maximum)	5
Gender	Male
Glow-Wire Compliant	No
Number of Rows	1
Packaging Type	Bag
Panel Mount	No
Pitch - Mating Interface (in)	0.098 In
Pitch - Mating Interface (mm)	2.50 mm
Stackable	No
Temperature Range - Operating	-40°C to +105°C

**Material Info**

**Reference - Drawing Numbers**

Product Specification	PS-51035-001, PS-51035-002, RPS-51035-001
Sales Drawing	SD-51035-**00



**EU RoHS**

**ELV and RoHS Compliant**  
**REACH SVHC Contains SVHC: No**  
**Halogen-Free**  
**Status**  
**Not Reviewed**

**China RoHS**



**Need more information on product environmental compliance?**

Email [productcompliance@molex.com](mailto:productcompliance@molex.com)  
 For a multiple part number RoHS Certificate of Compliance, [click here](#)

Please visit the [Contact Us](#) section for any non-product compliance questions.

**Search Parts in this Series**  
[51035Series](#)

**Use With**  
[50097](#)

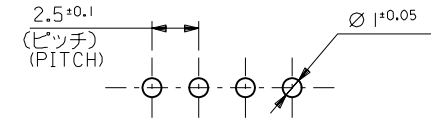
E

D

DIMENSIONS IN METRIC DO NOT SCALE DRAWING

A

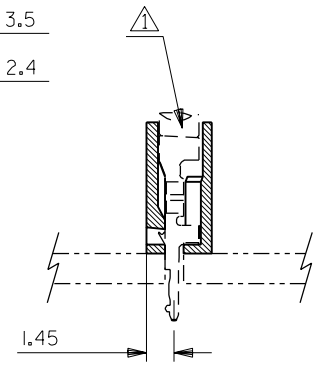
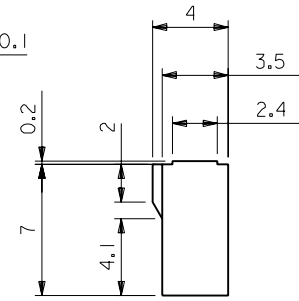
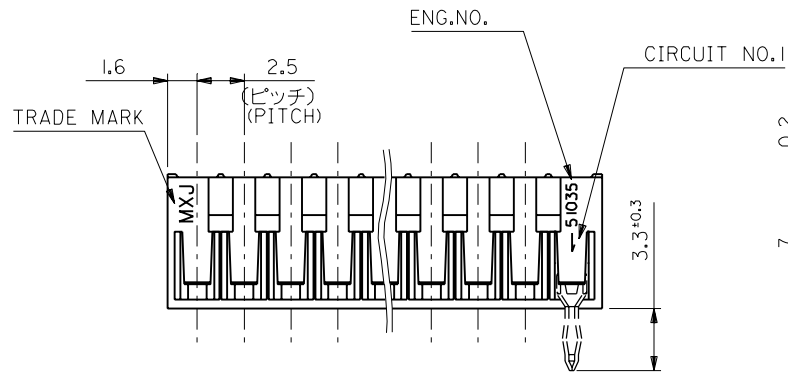
(公差非累積)  
(NON-ACCUMULATIVE)



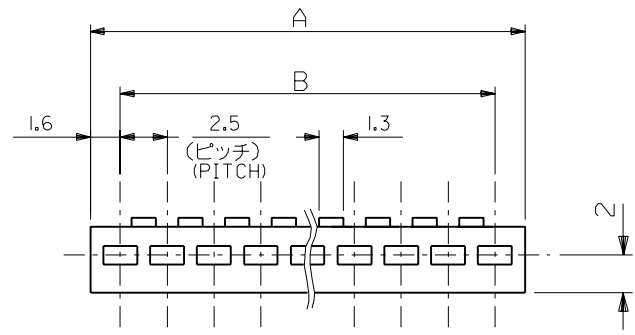
基板取付穴推奨寸法 (基板厚: 1.6mm)  
RECOMMENDED PC BOARD HOLE DIMENSION  
(THICKNESS: 1.6mm)

注記  
NOTE

▲適合ターミナル: 50097-8\*00  
APPLICABLE TERMINAL: 50097-8\*00



42.5	45.7	51035 - 1800	18
40.0	43.2	▲ - 1700	17
37.5	40.7	- 1600	16
35.0	38.2	- 1500	15
32.5	35.7	- 1400	14
30.0	33.2	- 1300	13
27.5	30.7	- 1200	12
25.0	28.2	- 1100	11
22.5	25.7	- 1000	10
20.0	23.2	- 0900	9
17.5	20.7	- 0800	8
15.0	18.2	- 0700	7
12.5	15.7	- 0600	6
10.0	13.2	- 0500	5
7.5	10.7	- 0400	4
5.0	8.2	▼ - 0300	3
2.5	5.7	51035 - 0200	2
B	A	ENG.NO.	極数 CKT.



角度 ANGLE		±3°						材料 MATERIAL	MOLEX-JAPAN CO.,LTD. 日本モレックス株式会社
30以上 OVER		+0.3						仕上げ FINISH	
10以上 30未満 UNDER		+0.25						適用電線範囲 WIRE RANGE	
10未満 UNDER		+0.2						被覆外径 INS. RANGE	
一般公差 GENERAL TOLERANCES			E	REDRAWN	K.S.	M.S.	%/06/30	DRAWN BY %/06/30 CHK'D BY %/06/30	REVISION RECORD TITLE 名称 2.5 BOARD IN CONN. HOUSING
記号 LTR	変更内容 REVISION RECORD	DR.	CHK.	日付 DATE	APP'D BY %/06/30	尺度 SCALE	4:1		

DWG. NO. SD-51035-**-00	REV E
----------------------------	----------