

**PLEASE CHECK WWW.MOLEX.COM FOR LATEST PART INFORMATION**

**Part Number:** **0528850574**  
**Status:** **Active**  
**Description:** 0.635mm (.025") Pitch SlimStack™ Receptacle, Surface Mount, Dual Row, Vertical Stacking, 5.00 to 10.00mm (.197 to .394") Stacking Heights, Embossed Tape with Cover Packaging, 50 Circuits, Lead-free

**Documents:**

[3D Model](#) [Product Specification PS-52760-015 \(PDF\)](#)  
[Drawing \(PDF\)](#) [RoHS Certificate of Compliance \(PDF\)](#)

**Agency Certification**

UL E29179

**General**

Product Family PCB Receptacles  
 Series [52885](#)  
 Application Board-to-Board  
 Comments Stacking-Type  
 Product Name SlimStack™

**Physical**

Circuits (Loaded) 50  
 Color - Resin Natural  
 Durability (mating cycles max) 50  
 Flammability 94V-0  
 Glow-Wire Compliant No  
 Lock to Mating Part Yes  
 Mated Height (mm) 10.00 mm, 5.00 mm, 6.00 mm, 7.00 mm, 8.00 mm, 9.00 mm

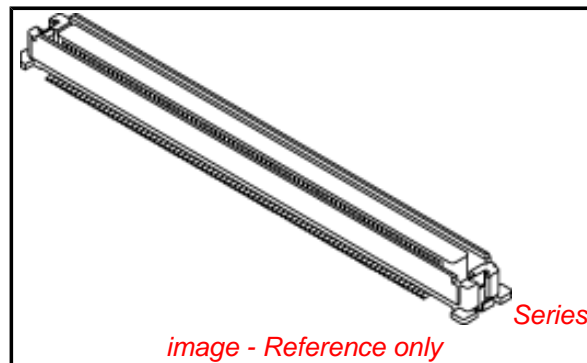
Material - Metal Phosphor Bronze  
 Material - Plating Mating Gold  
 Material - Plating Termination Tin  
 Number of Rows 2  
 Orientation Vertical  
 PCB Locator Yes  
 PCB Retention Yes  
 Packaging Type Embossed Tape on Reel  
 Pitch - Mating Interface (in) 0.025 In  
 Pitch - Mating Interface (mm) 0.64 mm  
 Plating min: Mating (µin) 10  
 Plating min: Mating (µm) 0.25  
 Plating min: Termination (µin) 80  
 Plating min: Termination (µm) 2  
 Polarized to PCB Yes  
 Robotic Placement Pick and Place Cap  
 Surface Mount Compatible (SMC) N/A  
 Temperature Range - Operating -55°C to +85°C  
 Termination Interface: Style Surface Mount

**Electrical**

Current - Maximum per Contact 0.5A  
 Voltage - Maximum 100V

**Material Info**

**Reference - Drawing Numbers**



**EU RoHS**

**ELV and RoHS Compliant**

**REACH SVHC**

Not Reviewed

**Halogen-Free**

**Status**

**Halogen-Free**

**China RoHS**



**Need more information on product environmental compliance?**

Email [productcompliance@molex.com](mailto:productcompliance@molex.com)  
 For a multiple part number RoHS Certificate of Compliance, [click here](#)

Please visit the [Contact Us](#) section for any non-product compliance questions.

**Search Parts in this Series**

[52885Series](#)

**Mates With**

[55091](#) , [53649](#) , [53643](#) , [53475](#) , [53627](#) , [53553](#) , [53552](#) , [53647](#) , [53551](#) , [53481](#) , [53625](#)

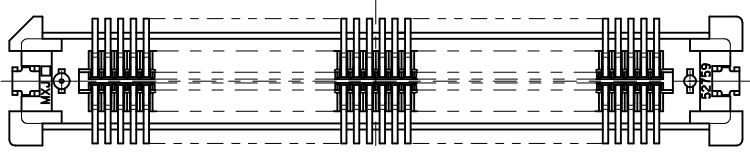
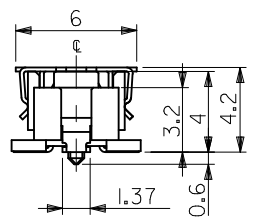
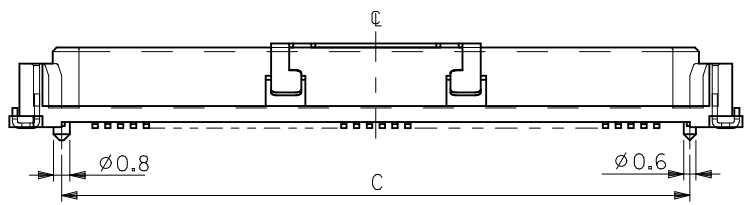
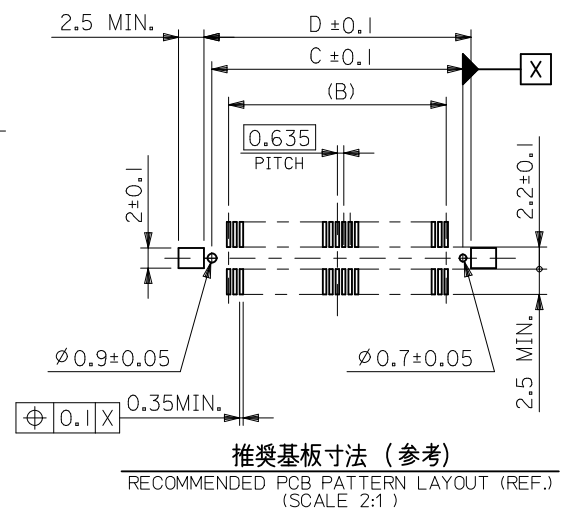
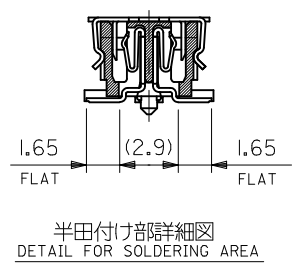
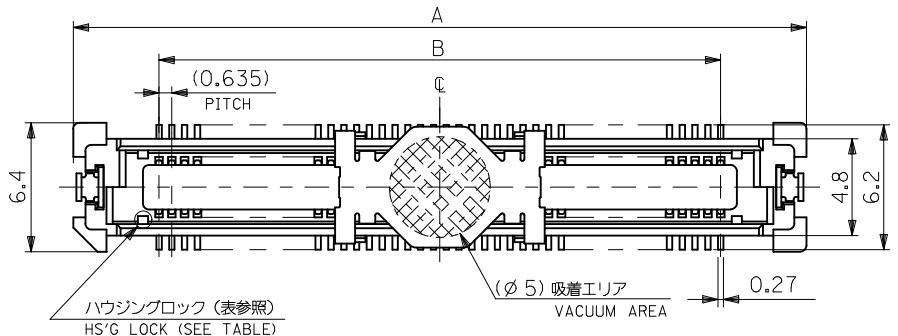
Product Specification

Sales Drawing

PS-52760-015, RPS-52760-017, RPS-52760-018,  
RPS-52760-020, RPS-52760-021, RPS-52760-029,  
RPS-52885-007, RPS-52885-008, RPS-52885-009  
SD-52885-003, SD-52885-004

This document was generated on 04/15/2010

**PLEASE CHECK [WWW.MOLEX.COM](http://WWW.MOLEX.COM) FOR LATEST PART INFORMATION**



注) NOTES

1. 材質  
MATERIAL  
ハウジング: ガラス入りLCP、白色、UL94V-0  
HOUSING: G.F.LCP, WHITE, UL94V-0  
ターミナル: 銅合金 (t = 0.2)  
TERMINAL: COPPER ALLOY  
吸着カバー: ステンレス (t = 0.2)  
VACUUM COVER: STAINLESS STEEL  
補強金具: 銅合金 (t = 0.25)  
FITTING NAIL: COPPER ALLOY

2. メッキ仕様  
PLATING  
ターミナル: 接点部: 金メッキ 0.25 マイクロメートル以上  
CONTACT AREA: GOLD 0.25 MICROMETER MINIMUM  
半田付け部: 錫メッキ 1.0 マイクロメートル以上  
SOLDER TAIL AREA: TIN 1.0 MICROMETER MINIMUM  
下地メッキ: ニッケルメッキ 1.5 マイクロメートル以上  
UNDER-PLATING: NICKEL 1.5 MICROMETER MINIMUM  
補強金具: 錫メッキ 1.0 マイクロメートル以上  
FITTING NAIL: TIN 1.0 MICROMETER MINIMUM  
下地メッキ: ニッケルメッキ 1.0 マイクロメートル以上  
UNDER-PLATING: NICKEL 1.0 MICROMETER MINIMUM

3. テールのバラツキ寸法  
TAIL COPLANARITY  
240極以下品のテール平坦度は0.1MAX.、  
240極品のテール平坦度は0.12MAX.とする。  
TAILS COPLANARITY TO BE 0.1MAX.  
IN 240 CIRCUITS, TAILS COPLANARITY TO BE 0.12MAX.

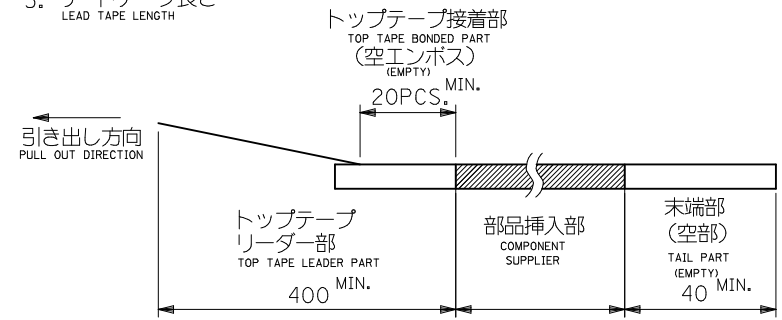
4. エンボス対応済みの極数については、SD-52885-004を参照下さい。  
FOR THE EMBOSSED PACKAGE PRODUCTS, SEE SD-52885-004.

|                       |       |        |        |         |             |                |
|-----------------------|-------|--------|--------|---------|-------------|----------------|
| 無し<br>NO              | 80.47 | 78.87  | 75.565 | 84.07   | 52885-2474  | 240            |
|                       | 67.77 | 66.17  | 62.865 | 71.37   | 52885-2074  | 200            |
|                       | 55.07 | 53.47  | 50.165 | 58.67   | 52885-1674  | 160            |
|                       | 48.72 | 47.12  | 43.815 | 52.32   | 52885-1474  | 140            |
|                       | 42.37 | 40.77  | 37.465 | 45.97   | 52885-1274  | 120            |
|                       | 36.02 | 34.42  | 31.115 | 39.62   | 52885-1074  | 100            |
|                       | 32.85 | 31.25  | 27.94  | 36.45   | ↑ -0974     | 90             |
| 29.67                 | 28.07 | 24.765 | 33.27  | ↑ -0874 | 80          |                |
| 有り<br>YES             | 26.5  | 24.9   | 21.59  | 30.1    | ↑ -0774     | 70             |
|                       | 23.32 | 21.72  | 18.415 | 26.92   | ↑ -0674     | 60             |
|                       | 20.15 | 18.55  | 15.24  | 23.75   | ↑ -0574     | 50             |
|                       | 16.97 | 15.37  | 12.065 | 20.57   | ↑ -0474     | 40             |
| ハウジングロック<br>HS'G LOCK | 13.8  | 12.2   | 8.89   | 17.4    | ↓ -0374     | 30             |
|                       | 10.62 | 9.02   | 5.715  | 14.22   | ↓ -0274     | 20             |
| CONNECTORS SERIES No. |       |        |        |         | 52885-***72 | 極数<br>CKT. NO. |

|   |                    |  |        |                            |                    |   |  |                        |  |                        |  |  |
|---|--------------------|--|--------|----------------------------|--------------------|---|--|------------------------|--|------------------------|--|--|
| REVISED<br>EC NO: J2010-2458<br>DRWN: KAIHO 2010/06/04<br>CHKD: T. JO 2010/06/10<br>APPR: MSASAO 2010/06/11                           | DESCRIPTION<br>REV | GENERAL TOLERANCES (UNLESS SPECIFIED)                |        | DIMENSION STYLE<br>MM ONLY |                    | SCALE<br>---  |  | DESIGN UNITS<br>METRIC |  | THIRD ANGLE PROJECTION |  |  |
|   |                    | 10 UNDER   | ± 0.2  | DRAWN BY<br>M. NAGATA      | DATE<br>2004/02/25 | TITLE<br>0.635 PITCH B TO B<br>S/T REC. HSG ASSY<br>-LEAD FREE- |  |                        |  |                        |  |  |
|   |                    | 10 OVER 30 UNDER                                     | ± 0.25 | CHECKED BY<br>K. TOJO      | DATE<br>2004/02/25 | MOLEX INCORPORATED  |  |                        |  |                        |  |  |
|   |                    | 30 OVER  | ± 0.3  | APPROVED BY<br>M. SASAO    | DATE<br>2004/02/25 |   |  |                        |  |                        |  |  |
| ANGULAR ± 3 °   |                    | DRAFT WHERE APPLICABLE MUST REMAIN WITHIN DIMENSIONS |        | MATERIAL NO.<br>SEE CHART  |                    | DOCUMENT NO.<br>SD-52885-003                                    |  | SHEET NO.<br>1 OF 1    |  |                        |  |  |
| SIZE A3 THIS DRAWING CONTAINS INFORMATION THAT IS PROPRIETARY TO MOLEX INCORPORATED AND SHOULD NOT BE USED WITHOUT WRITTEN PERMISSION |                    |  |        |                            |                    |   |  |                        |  |                        |  |  |

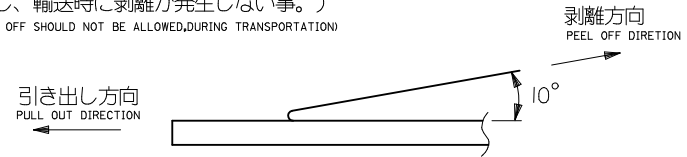
注)  
NOTES

- 製品番号 52885-\*\*72 の詳細寸法については SD-52885-003 を参照下さい。  
IN THE PACKAGE , PART NO. 52885-\*\*72 DETAILED DIMENSIONS , SEE SD-52885-003
- 梱包数量 : 1000個/リール  
NUMBER OF CONNECTORS : 1000 PCS/REEL
- リードテープ長さ  
LEAD TAPE LENGTH

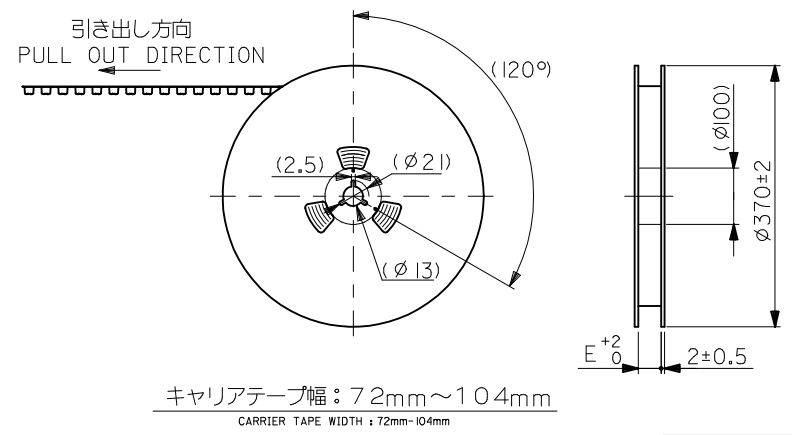
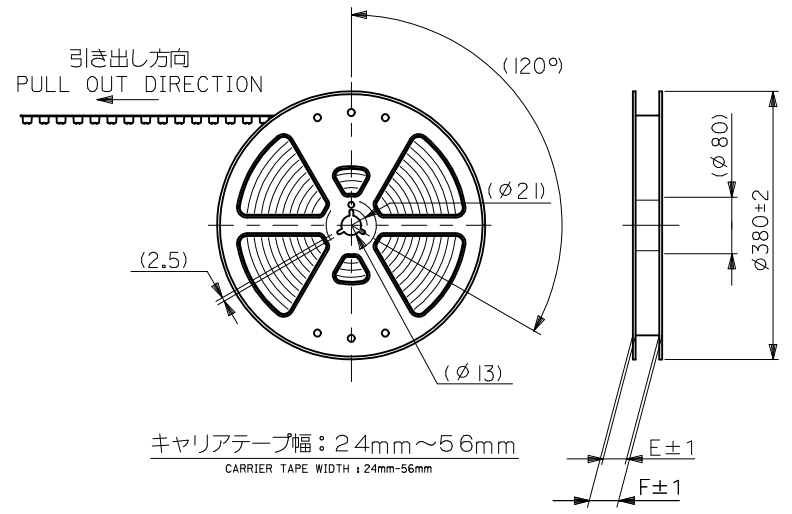


- トップテープの剥離強度 (剥離方向は下図参照)  
PEELING OFF FORCE OF TOP TAPE (PEELING DIRECTION AS SHOWN IN FOLLOWING FIG.)  
0.1~0.3N {10~130gf}

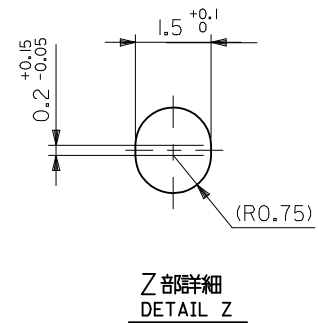
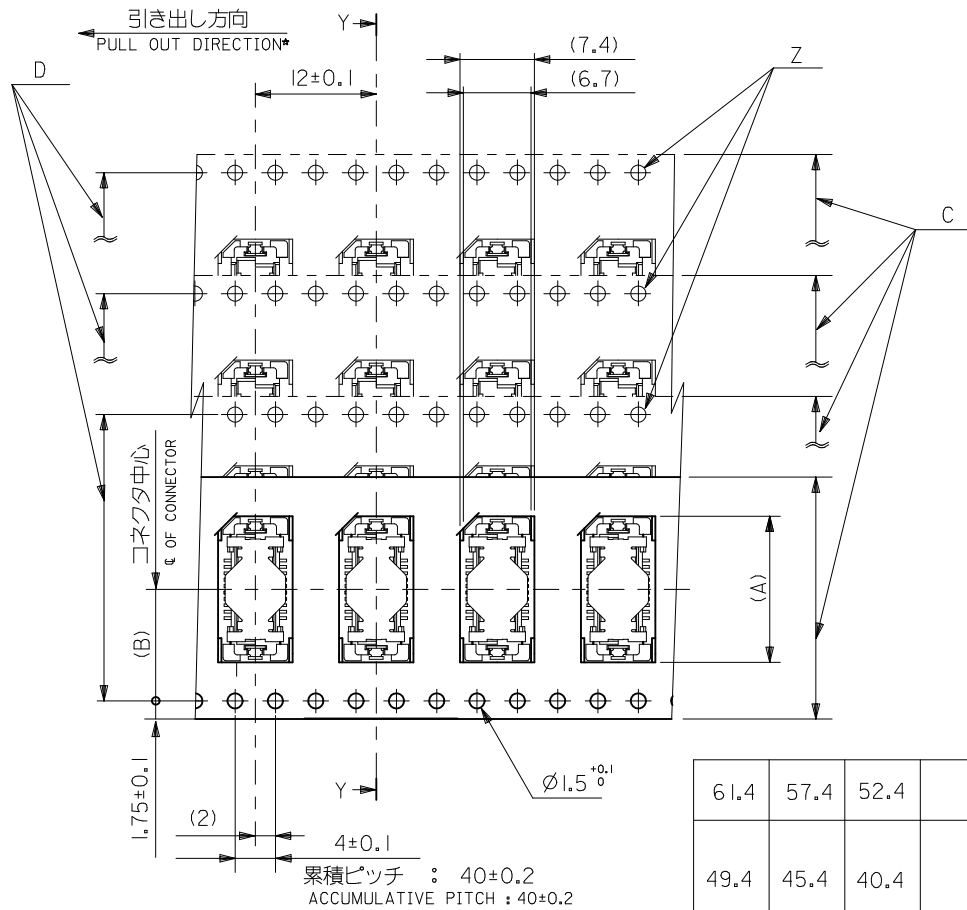
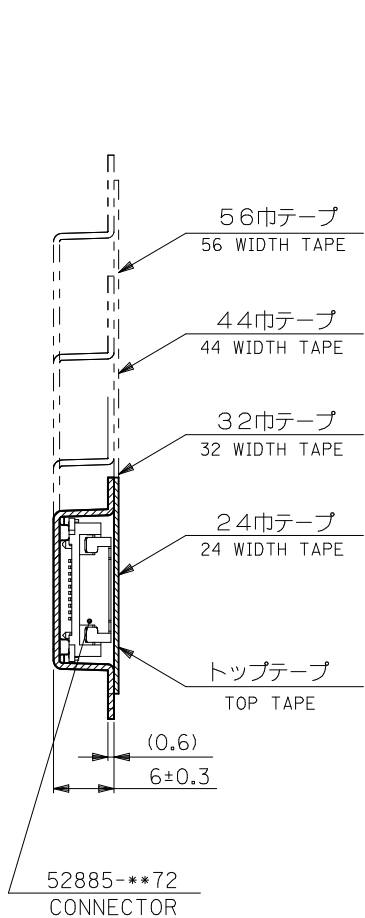
尚、本規格値は、出荷時に適用。  
THIS REQUIREMENT SHOULD BE APPLIED AT SHIPMENT  
(但し、輸送時に剥離が発生しない事。)  
(PEEL OFF SHOULD NOT BE ALLOWED, DURING TRANSPORTATION)



- 材料  
MATERIAL  
キャリアテープ : ポリプロピレン (PP)  
CARRIER TAPE : POLYPROPYLENE (PP)  
トップテープ : PET, PE, PEF  
TOP TAPE : PET, PE, PEF  
リール : キャリアテープ幅 24mm~56mm : ポリスチレン  
REEL : CARRIER TAPE WIDTH 24mm-56mm : POLYSTYRENE  
キャリアテープ幅 72mm~104mm : 紙  
CARRIER TAPE WIDTH 72mm-104mm : CARD BOARD

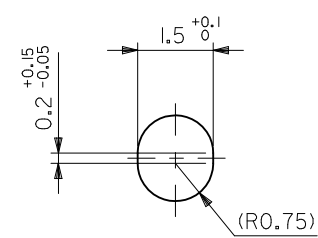
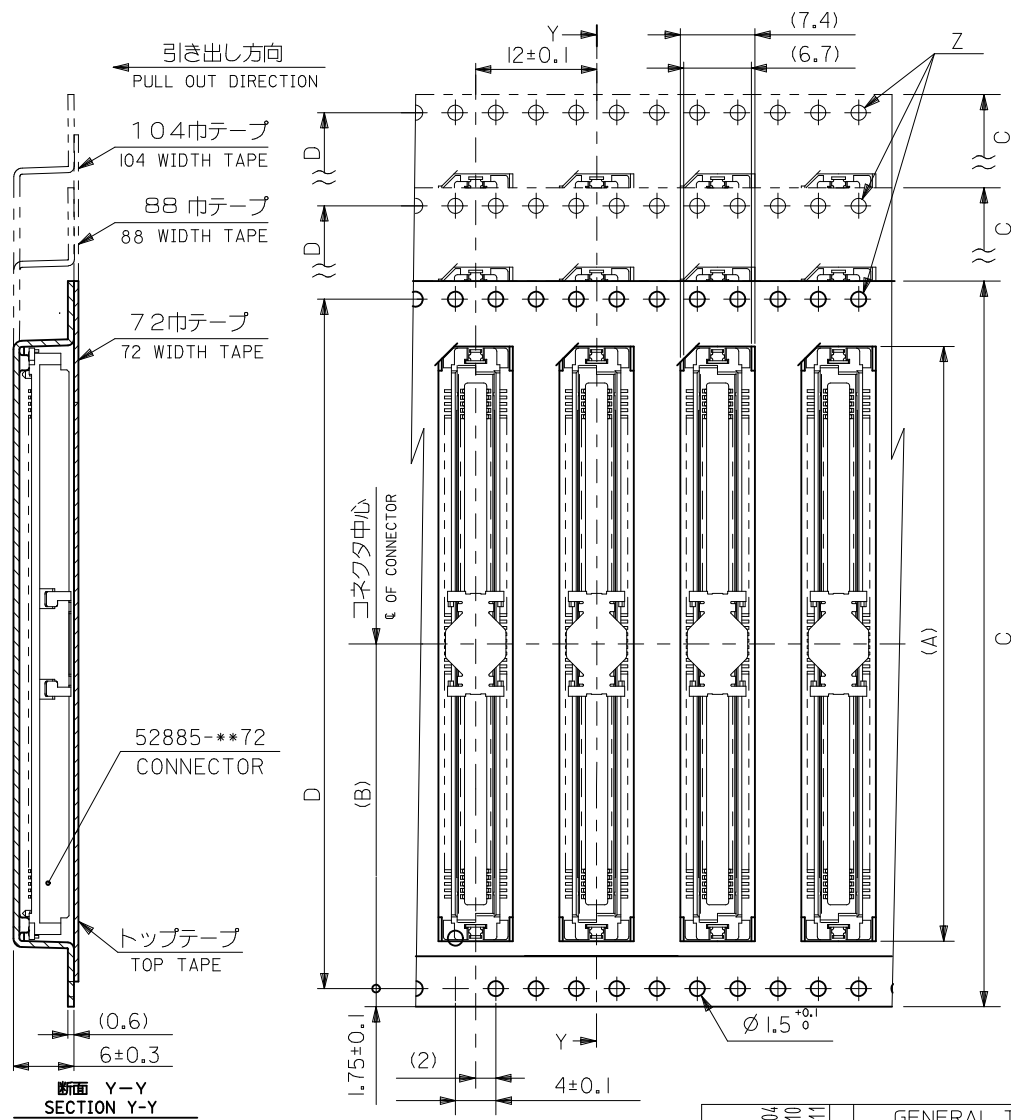


|  |   |  |       |                            |            |   |              |   |  |  |
|--|---|--|-------|----------------------------|------------|---|--------------|---|--|--|
| REVISED<br>EC NO: J2010-2458<br>DRWN: KAIHO<br>CHKD: K. TOJO<br>APPR: MSASAO | DESCRIPTION<br>2010/06/04<br>2010/06/10<br>2010/06/11 | GENERAL TOLERANCES (UNLESS SPECIFIED)                |       | DIMENSION STYLE<br>MM ONLY |            | CONNECTOR SERIES No.  | 52885-**72   |   |  |  |
|  |   | 10 UNDER   | ± --- | DRAWN BY                   | DATE       | SCALE   | DESIGN UNITS | THIRD ANGLE PROJECTION                      |  |  |
|  |   | 10 OVER 30 UNDER                                     | ± --- | M. NAGATA                  | 2004/02/25 | ---   | METRIC       | 52885-**72<br>TAPING PACKAGE<br>-LEAD FREE- |  |  |
|  |   | 30 OVER  | ± --- | K. TOJO                    | 2004/02/25 | TITLE   |              |   |  |  |
| ANGULAR ± --- °  |   | DRAFT WHERE APPLICABLE MUST REMAIN WITHIN DIMENSIONS |       | APPROVED BY                | DATE       | MOLEX MOLEX INCORPORATED  |              |   |  |  |
|  |   |  |       | MATERIAL NO.               | SEE TABLE  | DOCUMENT NO.  | SD-52885-004 |   |  |  |
|  |   |  |       | SIZE                       | A3         | THIS DRAWING CONTAINS INFORMATION THAT IS PROPRIETARY TO MOLEX INCORPORATED AND SHOULD NOT BE USED WITHOUT WRITTEN PERMISSION |              |   |  |  |



|      |      |      |                    |                                |      |            |                               |
|------|------|------|--------------------|--------------------------------|------|------------|-------------------------------|
| 61.4 | 57.4 | 52.4 | 56 <sup>+0.3</sup> | 26.2                           | 39.9 | 52885-1074 | 100                           |
|      |      |      |                    |                                | 36.8 | -0974      | 90                            |
| 49.4 | 45.4 | 40.4 | 44 <sup>+0.3</sup> | 20.2                           | 33.6 | -0874      | 80                            |
|      |      |      |                    |                                | 30.4 | -0774      | 70                            |
|      |      |      |                    |                                | 27.2 | -0674      | 60                            |
|      |      |      |                    |                                | 24.1 | -0574      | 50                            |
| 37.4 | 33.4 | 28.4 | 32 <sup>+0.3</sup> | 14.2                           | 20.9 | -0474      | 40                            |
|      |      |      |                    |                                | 17.7 | -0374      | 30                            |
| 29.4 | 25.4 | —    | 24 <sup>+0.3</sup> | 11.5                           | 14.5 | 52885-0274 | 20                            |
| F    | E    | D    | C                  | キャリアテープ幅<br>CARRIER TAPE WIDTH | (B)  | (A)        | MATERIAL NO.<br>極致<br>CKT.NO. |

|   |                                       |  |   |  |                                     |
|---|---------------------------------------|--|---|--|-------------------------------------|
| REVISED<br>EC NO: J2010-2458<br>DRWN:TKAIHO<br>CHKD:K.TOJO<br>APPR:MSASAO<br>2010/06/04<br>2010/06/10<br>2010/06/11 | GENERAL TOLERANCES (UNLESS SPECIFIED) |  | DIMENSION STYLE<br>MM ONLY  |  | CONNECTOR SERIES No.<br>52885-***72 |
|   | 10 UNDER                              | ± ---  | DRAWN BY<br>M. NAGATA   | DATE<br>2004/02/25                                     | SCALE<br>---                        |
|   | 10 OVER 30 UNDER                      | ± ---  | CHECKED BY<br>K. TOJO   | DATE<br>2004/02/25                                     | DESIGN UNITS<br>METRIC              |
|   | 30 OVER                               | ± ---  | APPROVED BY<br>M. SASAO   | DATE<br>2004/02/25                                     | THIRD ANGLE PROJECTION              |
|   | ANGULAR ± --- °                       | DRAFT WHERE APPLICABLE MUST REMAIN WITHIN DIMENSIONS |   | MOLEX INCORPORATED<br>SD-52885-004<br>SHEET NO. 2 OF 3 |                                     |
|   |                                       | SIZE<br>A3   | THIS DRAWING CONTAINS INFORMATION THAT IS PROPRIETARY TO MOLEX INCORPORATED AND SHOULD NOT BE USED WITHOUT WRITTEN PERMISSION |  |                                     |



Z部詳細  
DETAIL Z

累積ピッチ : 40±0.2  
ACCUMULATIVE PITCH : 40±0.2

|       |       |                    |                                |      |            |                               |
|-------|-------|--------------------|--------------------------------|------|------------|-------------------------------|
| 104.4 | 100.4 | 104±0.3            | 50.2                           | 84.4 | 52885-2474 | 240                           |
| 88.4  | 84.4  | 88±0.3             | 42.2                           | 71.7 | 52885-2074 | 200                           |
| 72.4  | 68.4  | 72 <sup>+0.3</sup> | 34.2                           | 59.0 | 52885-1674 | 160                           |
|       |       |                    |                                | 52.6 | 52885-1474 | 140                           |
|       |       |                    |                                | 46.3 | 52885-1274 | 120                           |
| E     | D     | C                  | キャリアテープ幅<br>CARRIER TAPE WIDTH | (B)  | (A)        | MATERIAL NO.<br>種数<br>CKT.NO. |

|   |                                       |            |                            |   |   |                        |
|---|---------------------------------------|------------|----------------------------|---|---|------------------------|
| REVISED<br>EC NO: J2010-2458<br>DRWN:TKAIHO 2010/06/04<br>CH'KD:K.TOJO 2010/06/10<br>APPR:MSASAO 2010/06/11<br>REV<br>C | GENERAL TOLERANCES (UNLESS SPECIFIED) |            | DIMENSION STYLE<br>MM ONLY |   | CONNECTOR SERIES No.<br>52885-**72          |                        |
|   | 10 UNDER                              | ±---       | DRAWN BY<br>M. NAGATA      | DATE<br>2004/02/25  | SCALE<br>---                                | DESIGN UNITS<br>METRIC |
|   | 10 OVER 30 UNDER                      | ±---       | CHECKED BY<br>K. TOJO      | DATE<br>2004/02/25  | THIRD ANGLE PROJECTION                      |                        |
|   | 30 OVER                               | ±---       | APPROVED BY<br>M. SASAO    | DATE<br>2004/02/25  | 52885-**72<br>TAPING PACKAGE<br>-LEAD FREE- |                        |
|   | ANGULAR ±---°                         |            | MATERIAL NO.               |   | MOLEX INCORPORATED                          |                        |
| DRAFT WHERE APPLICABLE MUST REMAIN WITHIN DIMENSIONS  |                                       | SEE TABLE  |                            | DOCUMENT NO.<br>SD-52885-004  |   |                        |
|   |                                       | SIZE<br>A3 |                            | THIS DRAWING CONTAINS INFORMATION THAT IS PROPRIETARY TO MOLEX INCORPORATED AND SHOULD NOT BE USED WITHOUT WRITTEN PERMISSION |   |                        |
|   |                                       |            |                            | SHEET NO.<br>3 OF 3   |   |                        |