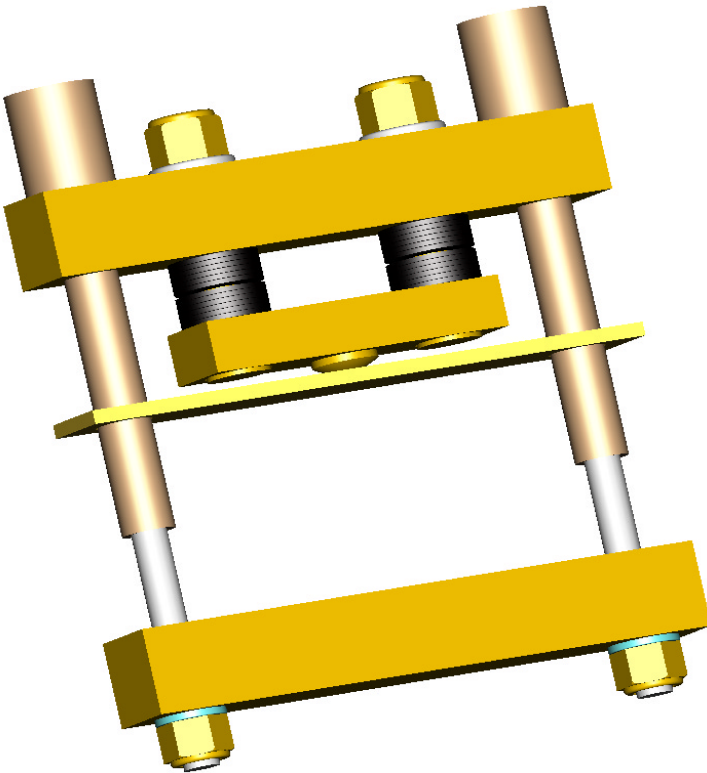


# GC140...R

## BAR CLAMP FOR HOCKEY PUK DEVICES

- Clamping total thickness of assembly from 15mm to 105mm
- Pre-loaded to the specific clamping force (35 ÷ 45 kN)
- Maximum device diameter: 124mm
- Surface passivation to provide extra protection
- Hexagon head bolt partially threaded M10x1.5, UNI5931, 8.8 steel
- Various lengths of bolts and insulators
- Round shaped clamping head for optimal clamping force application
- Four styles available
- User friendly clamping force indicator
- UL94 certified insulation material



Parameter	Unit	Types	Testing conditions	Notes	Values		
					Min	Typ	Max
Weight	g	GC140S...R			1980		2050
		GC140B...R			2380		2450
Clamping Force*	kN	GC140...35R				35	
		GC140...40R				40	
		GC140...45R					45
Clamping Force tolerance						± 10%	
Insulation Voltage	V <sub>RMS</sub>		1 min			3000	
Insulating Material				Noryl ® **			
UL File				E121562			
Max. working temperature	°C				-30	110	
Creepage distance:	mm					49.4	
Clearance distance:	mm					40.0	
Storage temperature	°C				-40	110	
Flammability	mm			UL94 V-1 Flame class rating		1.5	
	mm			UL94 V-0 Flame class rating		8.00	
	mm			CSA Flammability		1.00	

\* Other clamping forces available: contact factory

\*\* Noryl ® is a registered trade mark of General Electric

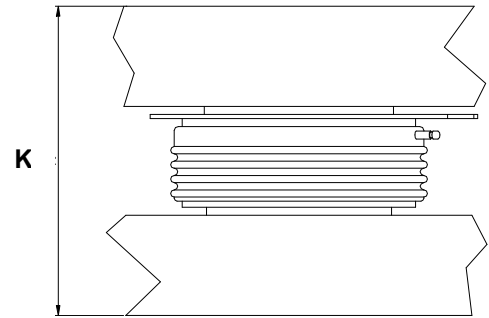


**ORDERING INFORMATION TABLE**

Clamps can be ordered using the following part numbering system

<b>GC140</b>	<b>B</b>	<b>N</b>	<b>A</b>	<b>B</b>	<b>40</b>	<b>R</b>
(1)	(2)	(3)	(4)	(5)		

<b>(1) Construction type:</b>	B = with double bar S = with single bar
<b>(2) Insulator position:</b>	N = upper side R = lower side
<b>(3) Insulator code:</b>	A (100mm long)
<b>(4) Bolt code:</b>	see table below
<b>(5) Clamping force (in kN):</b>	35 40 45


**Type GC140BN...R: suggested insulator/bolt types**

K: Total thickness of the assembly to be clamped

Allowed clearance S			Insulator choice		Bolt choice		Max height
S' Min <sub>[mm]**</sub>	S Min <sub>[mm]</sub>	SMax <sub>[mm]</sub>	(3)	Ins. Length <sub>[mm]</sub>	(4)	Bolt Length <sub>[mm]</sub>	T <sub>[mm]</sub>
	41	56	A	100	A	180	195
	51	66	A	100	B	190	205
	61	76	A	100	C	200	215
	71	86	A	100	D	210	225
	81	96	A	100	E	220	235
	91	106	A	100	F	230	245

**Type GC140BR...R: suggested insulator/bolt types**

Allowed clearance S			Insulator choice		Bolt choice		Max height
S' Min <sub>[mm]**</sub>	S Min <sub>[mm]</sub>	SMax <sub>[mm]</sub>	(3)	Ins. Length <sub>[mm]</sub>	(4)	Bolt Length <sub>[mm]</sub>	T <sub>[mm]</sub>
	41	56	A	100	A	180	195
	51	66	A	100	B	190	205
	61	76	A	100	C	200	215
	71	86	A	100	D	210	225
	81	96	A	100	E	220	235
	91	106	A	100	F	230	245

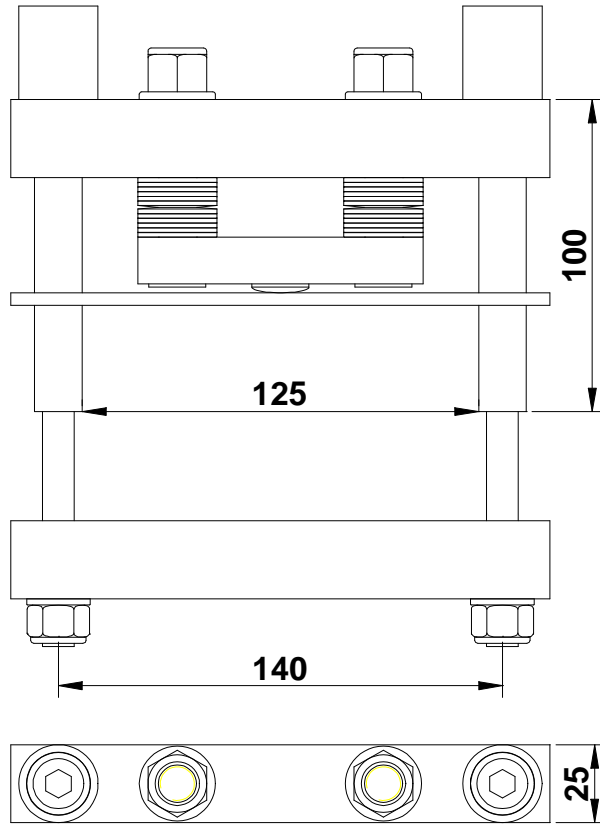
**Type GC140SN...R: suggested insulator/bolt types**

Allowed clearance S			Insulator choice		Bolt choice		Max height
S' Min <sub>[mm]**</sub>	S Min <sub>[mm]</sub>	SMax <sub>[mm]</sub>	(3)	Ins. Length <sub>[mm]</sub>	(4)	Bolt Length <sub>[mm]</sub>	T <sub>[mm]</sub>
	66	81	A	100	A	180	195
	76	91	A	100	B	190	205
	86	101	A	100	C	200	215
	96	111	A	100	D	210	225
	106	121	A	100	E	220	235
	116	131	A	100	F	230	245

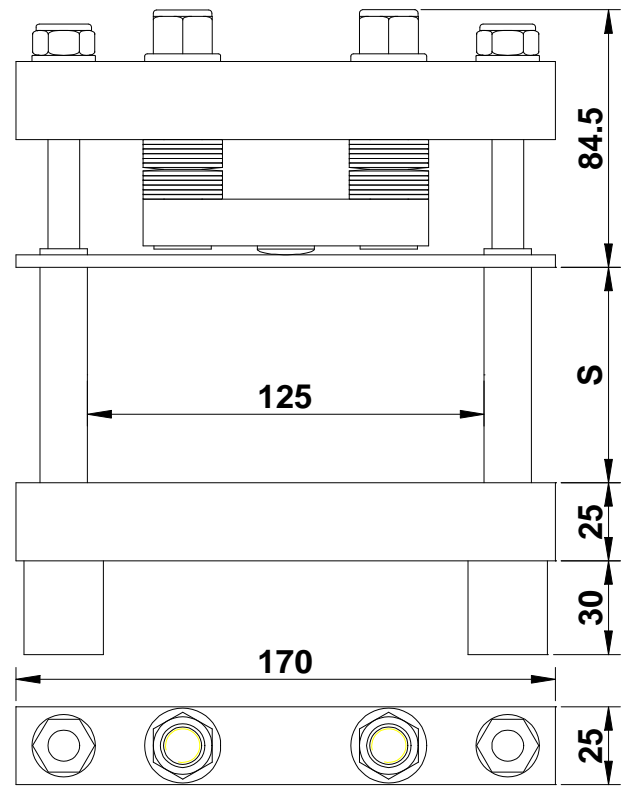
**Type GC140SR...R: suggested insulator/bolt types**

Allowed clearance S			Insulator choice		Bolt choice		Max height
S' Min <sub>[mm]**</sub>	S Min <sub>[mm]</sub>	SMax <sub>[mm]</sub>	(3)	Ins. Length <sub>[mm]</sub>	(4)	Bolt Length <sub>[mm]</sub>	T <sub>[mm]</sub>
	66	81	A	100	A	180	195
	76	91	A	100	B	190	205
	86	101	A	100	C	200	215
	96	111	A	100	D	210	225
	106	121	A	100	E	220	235
	116	131	A	100	F	230	245

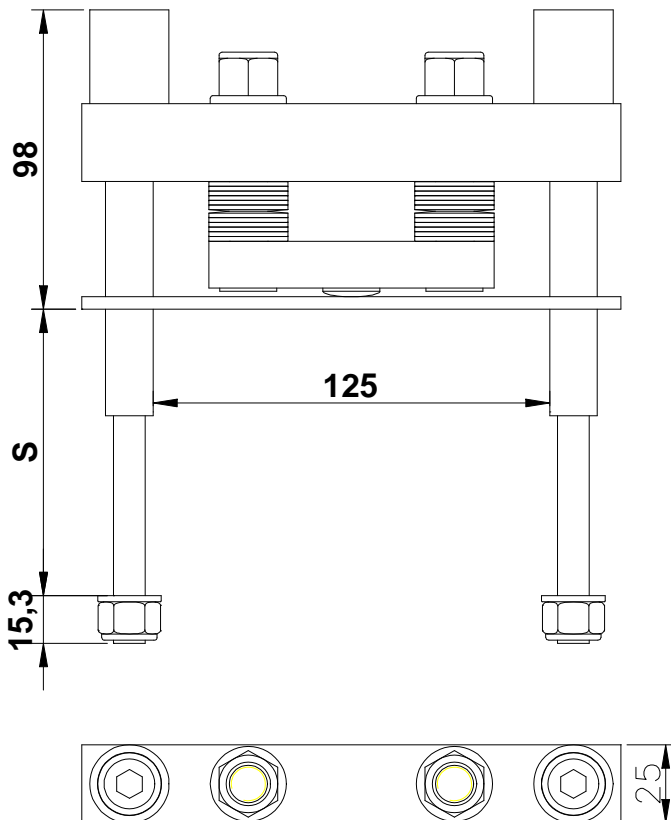
BAR CLAMP OUTLINES



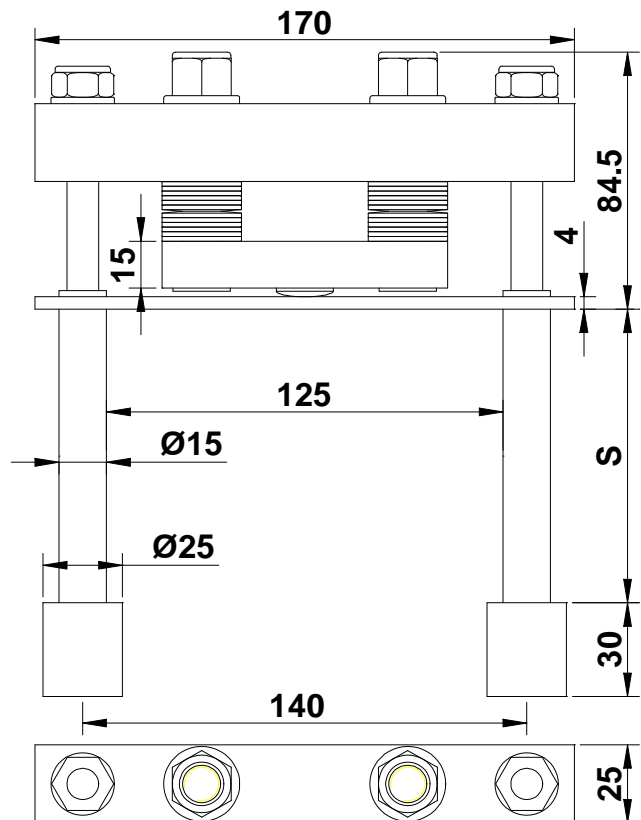
GC140BN...R



GC140BR...R



GC140SN...R



GC140SR...R

Dimensions in mm - Tolerances according to ISO 2768 MK