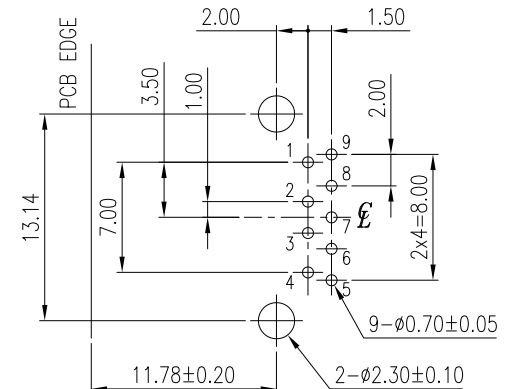
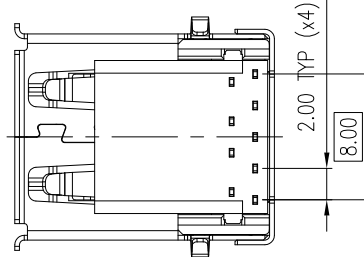
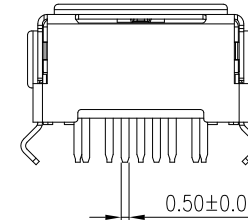
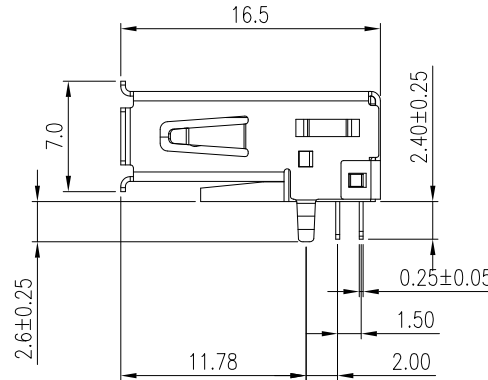
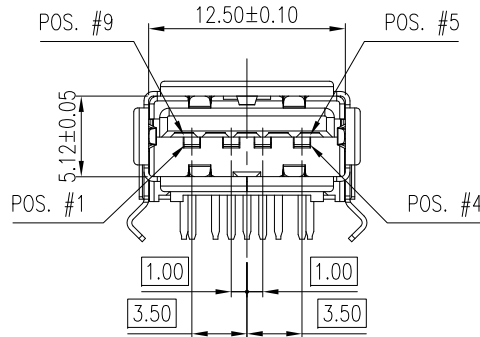
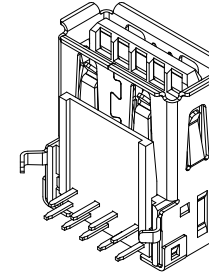
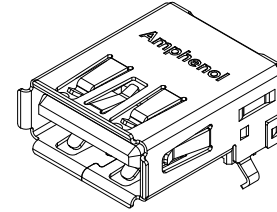
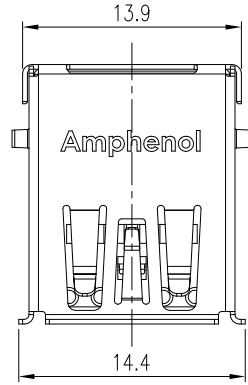


This document is the property of Amphenol Corporation and is delivered on the express condition that it is not to be disclosed, reproduced or used, in whole or in part, for manufacture or sale by anyone other than Amphenol Corporation without its prior consent, and that no right is granted to disclose or to use any information in this document.

The marking on this product doesn't contain environmental hazardous material and must follow one or more specifications per Material Specification SS-00259 for Sony GP compliant or per directive 2002/95/EC for RoHS compliant or per IEC 61249-2-21 for Halogen Free compliant.

**PRELIMINARY RELEASE
SUBJECT TO CHANGE**

REVISIONS				
SYM	ECN No.	DESCRIPTION	DATE	APPROVED
AX1		UNAPPROVED REVISION	10/08/2008	Hank Hsu
AX2		MODIFIED DRAWING	12/04/2008	Hank Hsu
AX3		MODIFIED DRAWING	04/24/2009	Hank Hsu
AX4		MODIFIED DRAWING	05/08/2009	Hank Hsu
AX5		ADDING LOGO	06/01/2009	Hank Hsu
AX6		MODIFIED DIMENSIONS	07/09/2009	Hank Hsu
AX7		MODIFIED DIMENSIONS	08/12/2009	Hank Hsu



RECOMMENDED PCB LAYOUT- TOP VIEW
(OTHER GENERAL TOLERANCES: ±0.05)

NOTES:

- HOUSING: HIGH TEMPERATURE THERMOPLASTIC, UL 94V-0, COLOR- BLUE
- BOTTOM COVER: HIGH TEMPERATURE THERMOPLASTIC, UL 94V-0, COLOR- BLUE
- CONTACT: PHOSPHOR BRONZE, 0.25mm THICKNESS, 30μ" MIN. GOLD PLATED ON CONTACT AREA, 120μ" MIN. MATTE TIN PLATED ON SOLDERING TAIL, 80μ" MIN. NICKEL UNDER-PLATED OVERALL
- METAL SHELL: COPPER ALLOY, 0.3mm THICKNESS, 120μ" MIN. MATTE TIN PLATED ON SOLDERING TAIL, 80μ" MIN. NICKEL UNDER-PLATED OVERALL
- THIS PRODUCT DOESN'T CONTAIN ENVIRONMENTAL HAZARDOUS MATERIALS PER DIRECTIVE 2002/95/EC FOR RoHS AND PER IEC 61249-2-21 FOR HALOGEN FREE COMPLIANT.

TOLERANCE	APPROVALS	DATE	TITLE	UNIT	SIZE	PART No.
X. ±0.30	DRAWN Sondra Sang	08/12/2009	USB 3.0 CONNECTOR STANDARD A R/A DIP TYPE	mm	A3	GSB3 111 31 HR
X.X ±0.20	CHECKED Chenny Yeh	08/12/2009				
X.XX ±0.10	APPROVED Hank Hsu	08/12/2009		NA	SHEET 1 OF 1	DWG No. GSB311131HR
ANGULAR ±1°	DWG TYPE CUST DWG	PROJECT CODE OTHER		SCALE		
UNLESS OTHERWISE SPECIFIED						