

Digital Terrestrial Broadcasting 1 segment module

MB86A29T

1. Overview

MB86A29T is a Tuner module compliant with Japanese terrestrial digital 1 segment broadcasting (ISDB-T) and Brazil SBTVD, which supports UHF frequency signal inputs and transport stream output.

Besides the RF/OFDM 1chip LSI, MB86A29T is integrated crystal. The OFDM LSI uses our mature MB86A27 1 segment series so that the software can be easily ported.

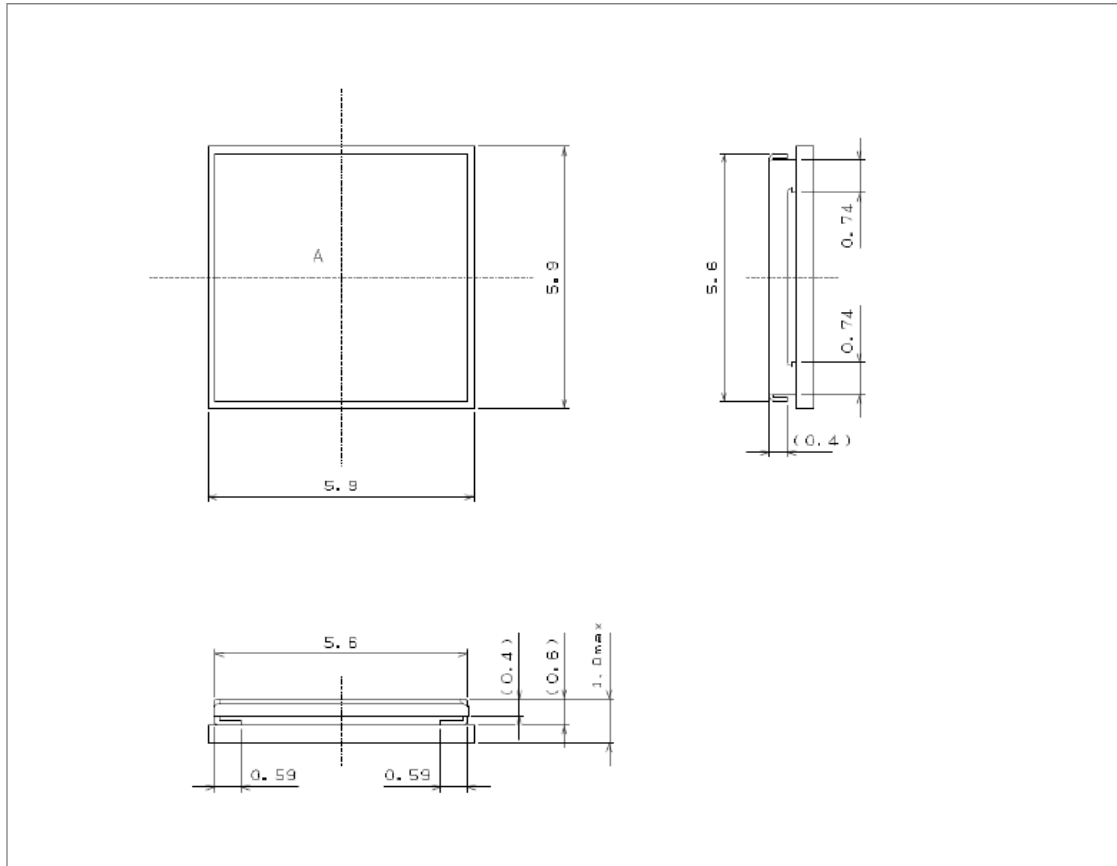
MB86A29T is most suitable for Mobile phone, PDA, Pocket TV tuner.

2. Features

- Small package size: 5.9mm x 5.9mm x 1.00mm
- Integrated crystal and peripheral components
- Supports UHF frequency signal inputs and transport stream output
- Input sensitivity -98dBm (Full segment conversion QPSK2/3)
- High-speed movement performance 400km/h
- External LNA auto control
- High-speed auto channel search
- Spurious (Clock noise) removal circuit
- 1.8V and 1.2V D/D converter is possible to connect directly

3 . Module dimension

Top View



4. Block diagram

