

PLEASE CHECK WWW.MOLEX.COM FOR LATEST PART INFORMATION

Part Number: [0006021103](#)
Status: **Active**
Overview: [flat blade](#)
Description: Flat Blade Appliance Motor Switch Crimp Housing, 10 Circuit, 10 Circuits

Documents:

[3D Model](#) [Product Specification PS-6313-**** \(PDF\)](#)
[Drawing \(PDF\)](#) [RoHS Certificate of Compliance \(PDF\)](#)

Agency Certification

CSA LR19980
 UL E29179

General

Product Family Crimp Housings
 Series [6313](#)
 Comments Tamper-Proof Latch
 Overview [flat blade](#)
 Product Name Flat Blade

Physical

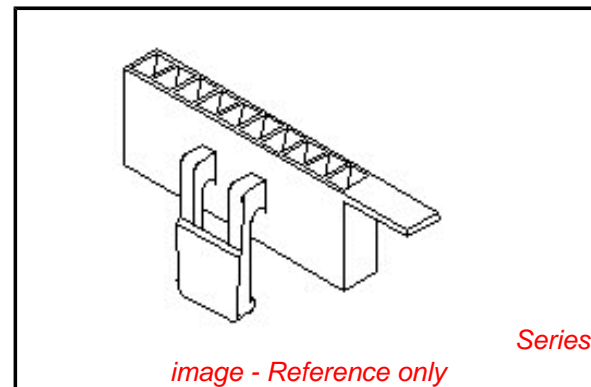
Circuits (maximum) 10
 Color - Resin Natural
 Flammability 94V-2
 Gender Female
 Glow-Wire Compliant No
 Material - Resin Nylon
 Number of Rows 1
 Packaging Type Bag
 Panel Mount No
 Pitch - Mating Interface (in) 0.220 In
 Pitch - Mating Interface (mm) 5.59 mm
 Stackable No
 Temperature Range - Operating -40°C to +75°C

Material Info

Old Part Number 6313-3-10

Reference - Drawing Numbers

Product Specification PS-6313-****
 Sales Drawing SD-6313-3-10



EU RoHS

**ELV and RoHS
 Compliant**
**REACH SVHC
 Contains SVHC: No**
**Halogen-Free
 Status
 Not Reviewed**

China RoHS



**Need more information on product
 environmental compliance?**

Email productcompliance@molex.com
 For a multiple part number RoHS Certificate of
 Compliance, [click here](#)

Please visit the [Contact Us](#) section for any
 non-product compliance questions.

Search Parts in this Series

[6313Series](#)

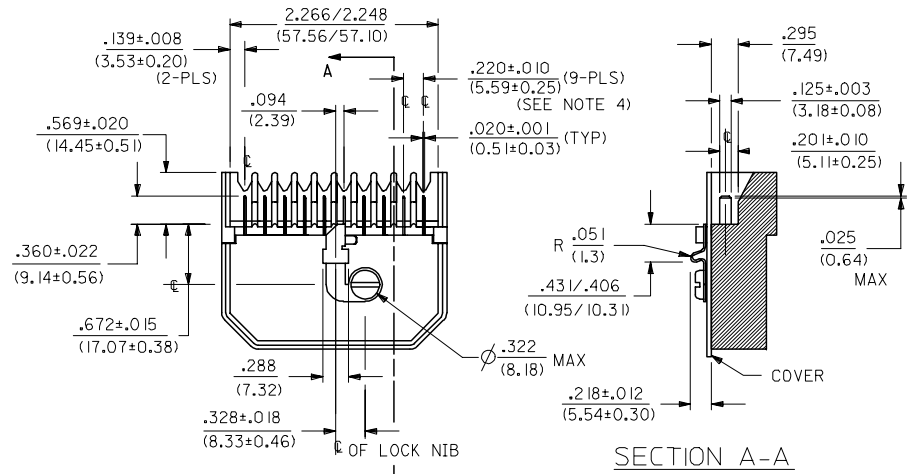
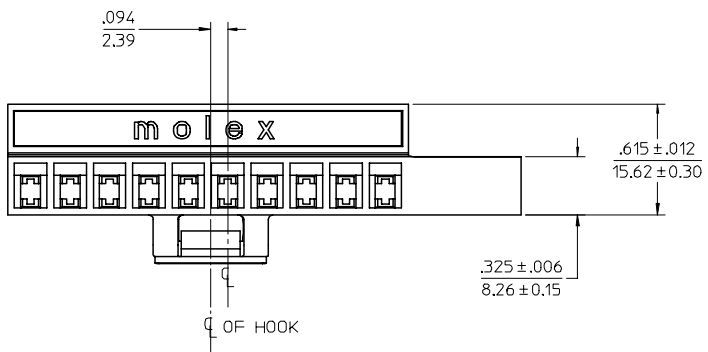
Mates With

[Appliance Motor](#)

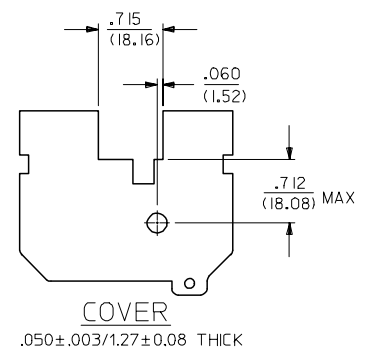
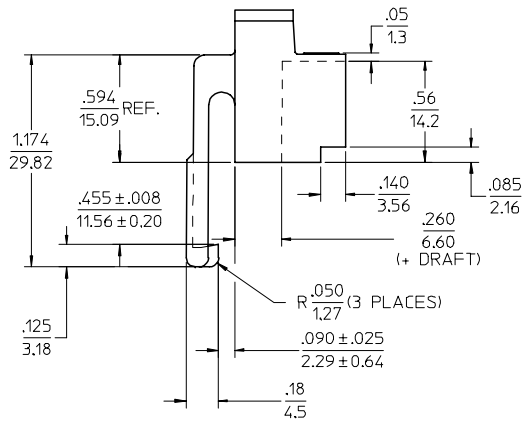
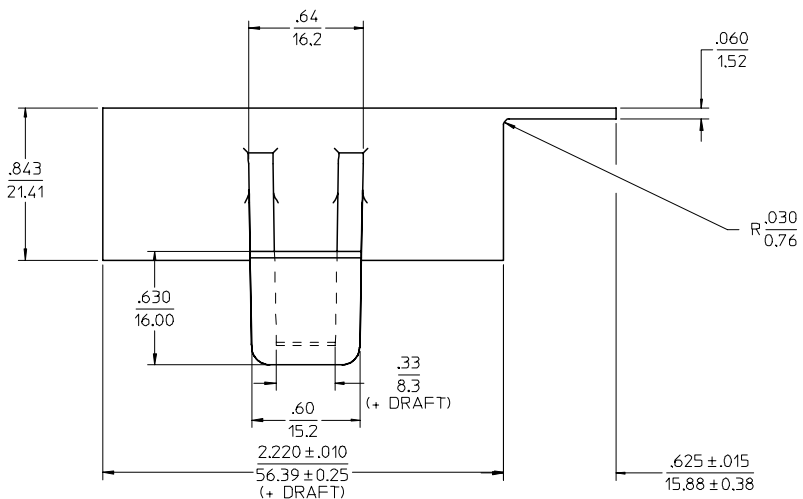
Use With

[1508 Crimp Terminals](#), [43374](#)

13 12 11 10 9 8 7 6 5 4 3 2 1



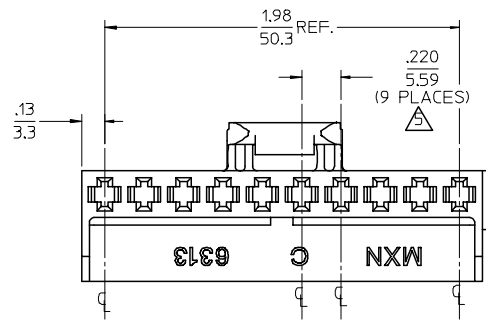
MOTOR SWITCH
SCALE 1:1



COVER
.050 ± .003/1.27 ± 0.08 THICK

- NOTES:
 1. MATERIAL: NYLON(PA66), UL94V-2, COLOR: SEE CHART
 2. FINISH: NONE
 3. PRODUCT SPECIFICATION: PS-6313-000
 4. THIS CONNECTOR HOUSING FOR USE WITH TERMINALS:
 -ENG. NO. 1508-0009
 5. TOLERANCE IS NOT ACCUMULATIVE.
 6. THIS PART CONFORMS TO CLASS B REQUIREMENTS
 OF COSMETIC SPECIFICATION PS-45499-002.

	MATERIAL NUMBER	ENGINEERING NUMBER	HOUSING COLOR
	006-02-1103	6313-3-10	NATURAL (WHITE/TRANSLUCENT)
OBSOLETE	006-02-1104	6313-3-10-RD	RED
	050-29-1555	6313-3-10-BU	BLUE



OBS. P/N 006-02-1104	DESCRIPTION
FC NO: UCP2007-2085	2007/04/13
DRAWN/PR/DER	2007/04/16
CHKD: AEL/HAG	2007/04/19
APPR: FSM/TH	
REV	
D1	

QUALITY SYMBOLS	GENERAL TOLERANCES (UNLESS SPECIFIED)
$\nabla=0$	mm INCH
$\nabla=0$	4 PLACES ± --- ± ---
	3 PLACES ± --- ± .005
	2 PLACES ± 0.13 ± .010
	1 PLACE ± 0.25 ± ---
	ANGULAR ± 1/2°
	DRAFT WHERE APPLICABLE MUST REMAIN WITHIN DIMENSIONS

DIMENSION STYLE	SCALE	DESIGN UNITS	THIRD ANGLE PROJECTION
IN/MM	2:1	INCH	
DRAWN BY	DATE	TITLE	
PEARSON	1997/04/24	HOUSING, CONNECTOR FOR MOTOR SWITCH APPLICATION	
CHECKED BY	DATE		
EDGLEY	1997/04/24		
APPROVED BY	DATE		
EDGLEY	1997/04/24		
MATERIAL NO.	DOCUMENT NO.		
SEE CHART	SD-6313-3-10		

MATERIAL NUMBER	ENGINEERING NUMBER	HOUSING COLOR
006-02-1103	6313-3-10	NATURAL (WHITE/TRANSLUCENT)
OBSOLETE	006-02-1104	RED
	050-29-1555	BLUE
MATERIAL NO. DOCUMENT NO.		
SEE CHART SD-6313-3-10		
THIS DRAFTING CONTAINS INFORMATION THAT IS PROPRIETARY TO MOLEX INCORPORATED AND SHOULD NOT BE USED WITHOUT WRITTEN PERMISSION		
SHEET NO.		1 OF 1

12 11 10 9 8 7 6 5 4 3 2 1