

PLEASE CHECK WWW.MOLEX.COM FOR LATEST PART INFORMATION

Part Number: [0354076102](#)
Status: **Active**
Description: 2.28mm (.090") Terminal, Female, 0.3-0.5 AVSS, 0.25mm (.010") Thickness, Pre-Tin Plated

Documents:

[Drawing \(PDF\)](#) [RoHS Certificate of Compliance \(PDF\)](#)
[Product Specification PS-35365-001 \(PDF\)](#)

General

Product Family	Crimp Terminals
Series	35407
Crimp Quality Equipment	Yes
Product Name	N/A

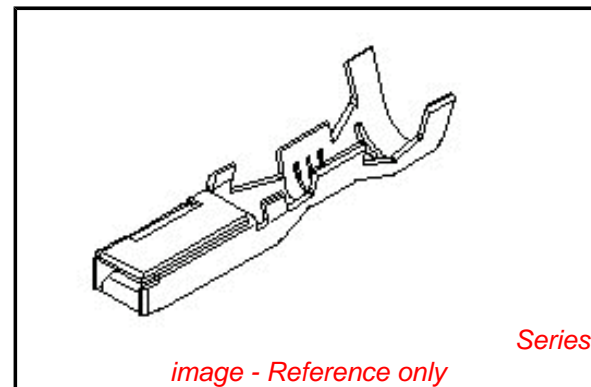
Physical

Gender	Female
Material - Metal	High Performance Alloy (HPA)
Material - Plating Mating	Tin
Material - Plating Termination	Tin
Packaging Type	Reel
Plating min: Mating (µin)	32.00
Plating min: Mating (µm)	0.800
Plating min: Termination (µin)	32.00
Plating min: Termination (µm)	0.80
Termination Interface: Style	Crimp or Compression
Wire Insulation Diameter	1.90mm (.075") max.
Wire Size AWG	20, 22
Wire Size mm ²	N/A

Material Info

Reference - Drawing Numbers

Product Specification	PS-35365-001
Sales Drawing	SD-35407-002



EU RoHS

**ELV and RoHS
Compliant**
**REACH SVHC
Contains SVHC: No**
**Halogen-Free
Status**

China RoHS



**Need more information on product
environmental compliance?**

Email productcompliance@molex.com
 For a multiple part number RoHS Certificate of Compliance, [click here](#)

Please visit the [Contact Us](#) section for any non-product compliance questions.

Search Parts in this Series

[35407Series](#)

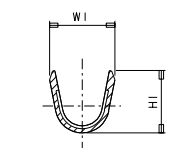
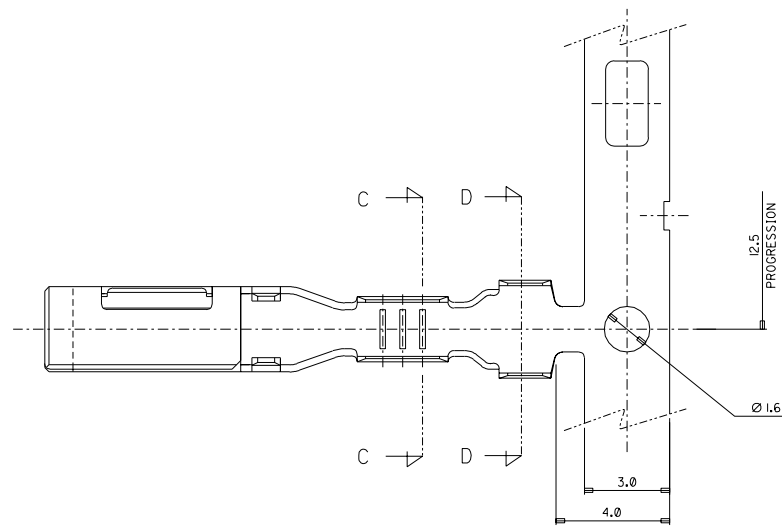
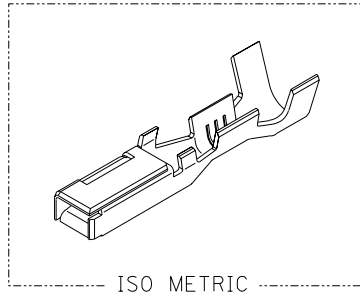
Mates With

[35408](#)

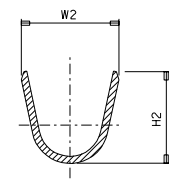
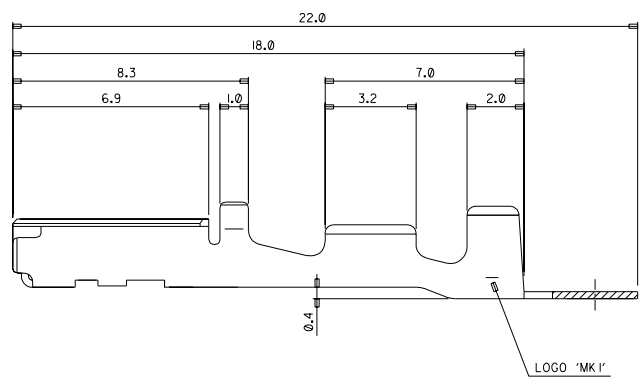
Use With

[35263](#)

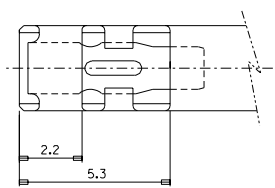
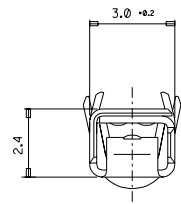
PROJECT NO. SD-35407-002
 SIMILAR ITEM
 DWG. NO. SD-35407-002
 DO NOT SCALE DRAWING DIMENSION IN METRIC



SECTION: C-C



SECTION: D-D



- NOTE
1. MATERIAL: COPPER ALLOY, t=0.25.
 2. FINISH: PRE-TIN PLATE.
 3. RECOMMENDED LENGTH OF WIRE STRIP: 5.0-5.6.
 4. INSERTION-EXTRACTION FORCE WITH TAB TERMINAL P/N 35420.
 INSERTION FORCE : 0.30±1.0 Kgf.
 AFTER SIX TIMES OF INSERTION & EXTRACTION FORCE : 0.15±1.0 Kgf.

NO.	ENG-NO.	TYPE	PART NAME	CABLE SIZE (mm ²)	DIMENSION			
					W1	H1	W2	H2
1	35407-6102	(S)	.090 FEMALE TER'L	AVSS(AVS) 0.3 - 0.5	2.5	2.4	3.4	3.5
2	35407-6202	(L)	.090 FEMALE TER'L	AVSS(AVS) 2.0	3.6	3.5	4.0	4.0
3	35407-6502	(M)	.090 FEMALE TER'L	AVSS(AVS) 0.85 - 1.25	2.6	3.0	4.0	4.0

CHANGED TENSION SPEC. EC NO. KGR2002-0090 DRAWN:MKIM 02/07/08 CHK'D:SIK/KIM 02/07/08 APPR:W.LEE	QUALITY SYMBOLS MAJOR CRITICAL	GENERAL TOLERANCES: (UNLESS SPECIFIED)	SCALE 8:1	DESIGN UNITS <input checked="" type="checkbox"/> mm <input type="checkbox"/> INCH	DIMENSIONS: <input type="checkbox"/> mm <input type="checkbox"/> INCH <input checked="" type="checkbox"/> mm ONLY	SHT	REV	
		4 PLACES ±0.1 3 PLACES ±0.1 2 PLACES ±0.1 1 PLACE ±0.25	DRAWN BY & DATE B.C.YOON '98.4.10	TITLE: .090 FEMALE TER'L (FT TYPE)				
REV	DESCRIPTION	APPROVED BY & DATE C.W.LEE '98.4.10	CAD FILENAME SD35407.DGN	MATERIAL NO. 354076102	DRAWING NO. SD-35407-002	SHEET NO. 1 OF 1	SIZE C	
DRAFT WHERE APPLICABLE MUST REMAIN WITHIN DIMENSIONS		THIS DRAWING CONTAINS INFORMATION THAT IS PROPRIETARY TO MOLEX INCORPORATED AND SHOULD NOT BE USED WITHOUT WRITTEN PERMISSION.					MX-A2	