

PLEASE CHECK WWW.MOLEX.COM FOR LATEST PART INFORMATION

Part Number: [0357450310](#)
Status: **Active**
Overview: [versablade](#)
Description: Crimp Terminal 35745, 18+18, 20+20 AWG

Documents:

Drawing (PDF)	Product Specification PS-35182-003 (PDF)
Product Specification PS-35150-001 (PDF)	Product Specification PS-35524-001 (PDF)
Product Specification PS-35180-002 (PDF)	RoHS Certificate of Compliance (PDF)
Product Specification PS-35180-003 (PDF)	

General

Product Family	Crimp Terminals
Series	35745
Crimp Quality Equipment	Yes
Overview	versablade
Product Name	VersaBlade™

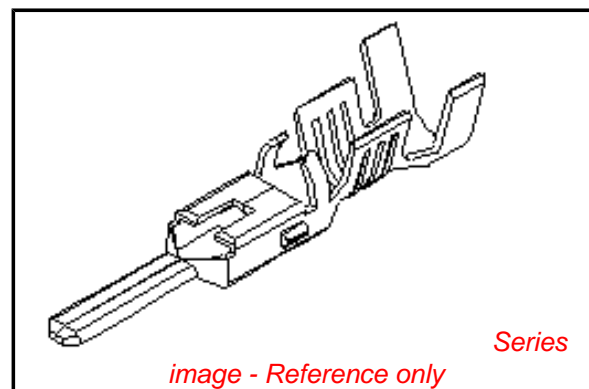
Physical

Gender	Male
Material - Metal	Brass
Material - Plating Mating	Tin
Material - Plating Termination	Tin
Packaging Type	Reel
Plating min: Mating (µin)	32.00
Plating min: Mating (µm)	0.800
Plating min: Termination (µin)	32.00
Plating min: Termination (µm)	0.80
Termination Interface: Style	Crimp or Compression
Wire Insulation Diameter	6.00mm (.236") max.
Wire Size AWG	18+18, 20+20
Wire Size mm²	N/A

Material Info

Reference - Drawing Numbers

Product Specification	PS-35150-001, PS-35180-002, PS-35180-003, PS-35182-003, PS-35524-001
Sales Drawing	SD-35745-002



EU RoHS

**ELV and RoHS
Compliant**
**REACH SVHC
Contains SVHC: No**
**Halogen-Free
Status**

China RoHS



**Need more information on product
environmental compliance?**

Email productcompliance@molex.com
 For a multiple part number RoHS Certificate of
 Compliance, [click here](#)

Please visit the [Contact Us](#) section for any
 non-product compliance questions.

Search Parts in this Series

[35745Series](#)

Mates With

[35748](#) Crimp Terminal

Use With

[35150](#) VersaBlade™ Hybrid Receptacle
 Housing. [35151](#) VersaBlade™ Hybrid Plug
 Housing

Application Tooling | FAQ

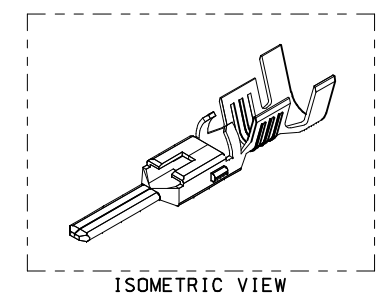
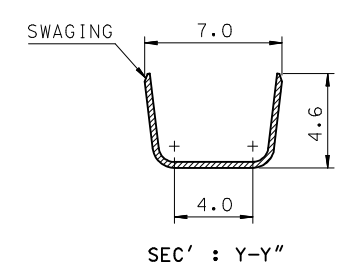
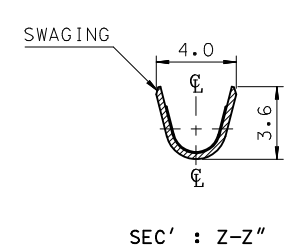
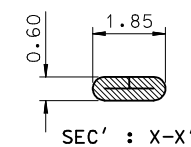
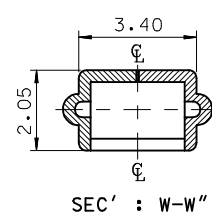
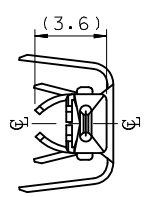
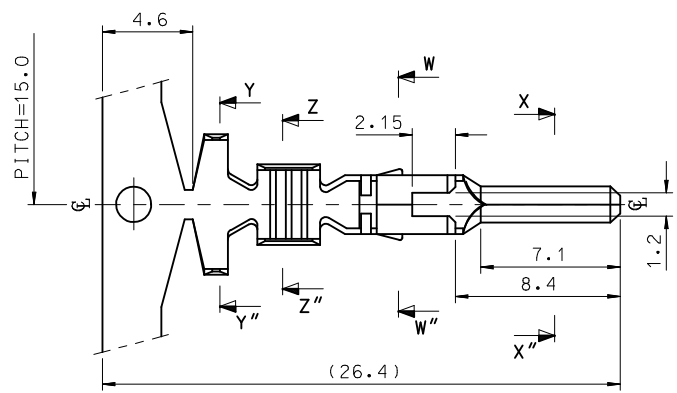
*Tooling specifications and manuals are
 found by selecting the products below.
 Crimp Height Specifications are then
 contained in the Application Tooling
 Specification document.*

Global

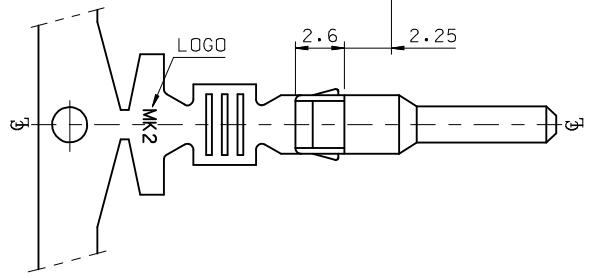
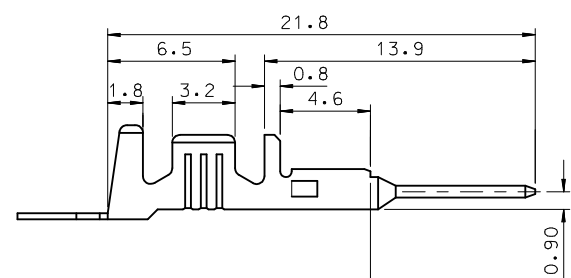
Description	Product #
Hand Crimp Tool	0638190700
T2 Terminator Die	0638529200
FineAdjust™ Applicator	0638629200

This document was generated on 05/27/2010

PLEASE CHECK WWW.MOLEX.COM FOR LATEST PART INFORMATION



- NOTES.
1. MATERIAL : C BRASS, PRE-TIN PLATED
 2. FINISH : 0.8~1.8 μ m,Tin(Sn) plating overall
0.3~0.8 μ m.Copper(Cu) plating
 3. PRODUCT SPECIFICATION : PS-35150-001, PS-35180-002
PS-35180-003, PS-35182-003, PS-35524-001
 4. CRIMPING SPECIFICAITON : CS-35745-001
 5. RECOMMENDED LENGTH OF WIRE STRIP IS 4.0~4.8mm
 6. APPLICABLE WIRE SIZE : AWG #20+#20
AWG #20+#18
AWG #18+#18



REVISED EC NO: KOR2009-0151 DRWN: JHPARK01 2009/05/18 CHKD: WY. YANG 2009/06/18 APPR: YUNSIKKIM 2009/07/01	QUALITY SYMBOLS ▽=0 ∇=0	GENERAL TOLERANCES (UNLESS SPECIFIED)		DIMENSION STYLE MM ONLY	SCALE 4:1	DESIGN UNITS METRIC	THIRD ANGLE PROJECTION
			mm	INCH	DRAWN BY JS.KANG	DATE 1998/01/19	TITLE .070 MALE TERMINAL-A (LARGE)
		4 PLACES	± ---	± ---	CHECKED BY BK. CHOI	DATE 1998/01/19	
		3 PLACES	± ---	± ---	APPROVED BY CW. LEE	DATE 1998/01/19	
			2 PLACES	± 0.2	± ---		
			1 PLACE	± 0.3	± ---		
			ANGULAR ± 1 °				
			DRAFT WHERE APPLICABLE MUST REMAIN WITHIN DIMENSIONS		MATERIAL NO. 357450310	DOCUMENT NO. SD-35745-002	SHEET NO. 1 OF 01
					THIS DRAWING CONTAINS INFORMATION THAT IS PROPRIETARY TO MOLEX INCORPORATED AND SHOULD NOT BE USED WITHOUT WRITTEN PERMISSION		