

PLEASE CHECK WWW.MOLEX.COM FOR LATEST PART INFORMATION

Part Number: **0359780723**
Status: **Planned for Obsolescence**
Description: 3.96mm (.156") Pitch Wire-to-Board Header, Right Angle, Low Profile, 7 Circuits, Yellow, Nylon

Documents:

[3D Model](#) [Product Specification PS-35978-001 \(PDF\)](#)
[Drawing \(PDF\)](#) [RoHS Certificate of Compliance \(PDF\)](#)

Agency Certification

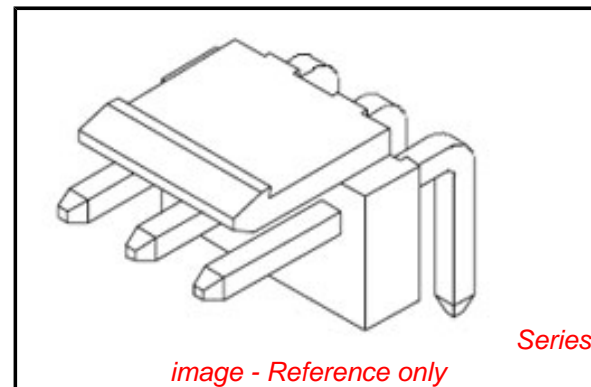
CSA	LR19980
TUV	R72090224
UL	E29179

General

Product Family	PCB Headers
Series	35978
Application	Wire-to-Board
Product Name	MV-396™

Physical

Breakaway	No
Circuits (Loaded)	7
Circuits (maximum)	7
Color - Resin	Yellow
Durability (mating cycles max)	30
First Mate / Last Break	No
Flammability	94V-0
Glow-Wire Compliant	No
Guide to Mating Part	No
Keying to Mating Part	None
Lock to Mating Part	Yes
Material - Metal	Brass
Material - Plating Mating	Tin-Lead
Material - Plating Termination	Tin-Lead
Material - Resin	Nylon
Number of Rows	1
Orientation	Right Angle
PC Tail Length (in)	0.146 In
PC Tail Length (mm)	3.70 mm
PCB Locator	No
PCB Retention	None
PCB Thickness Recommended (in)	0.062 In
PCB Thickness Recommended (mm)	1.60 mm
Packaging Type	Bag
Pitch - Mating Interface (in)	0.156 In
Pitch - Mating Interface (mm)	3.96 mm
Pitch - Term. Interface (in)	0.156 In
Pitch - Term. Interface (mm)	3.96 mm
Polarized to Mating Part	No
Polarized to PCB	No
Shrouded	No
Stackable	Yes
Surface Mount Compatible (SMC)	No
Temperature Range - Operating	-25°C to +85°C
Termination Interface: Style	Through Hole



EU RoHS

ELV and RoHS Compliant
REACH SVHC Not Reviewed
Halogen-Free Status Not Reviewed

China RoHS



Need more information on product environmental compliance?

Email productcompliance@molex.com
 For a multiple part number RoHS Certificate of Compliance, [click here](#)

Please visit the [Contact Us](#) section for any non-product compliance questions.

Search Parts in this Series

[35978Series](#)

Mates With

[35977 Wire-to-Board Housing](#)

Electrical

Current - Maximum per Contact

7A

Voltage - Maximum

250V

Material Info**Reference - Drawing Numbers**

Product Specification

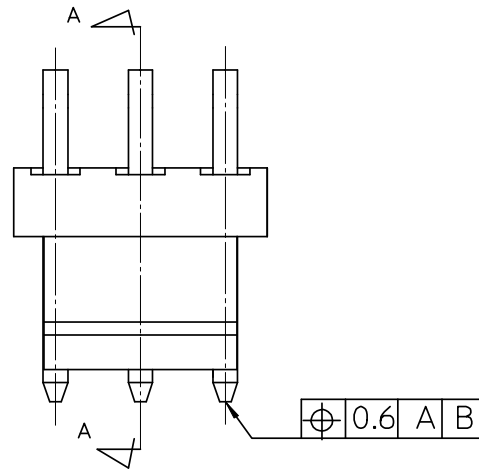
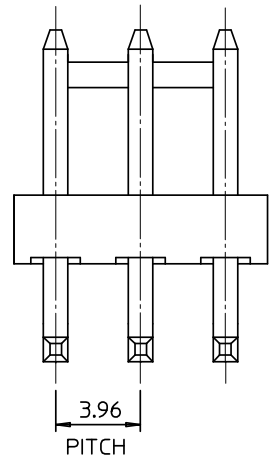
PS-35978-001

Sales Drawing

SD-35978-002

This document was generated on 06/07/2010

PLEASE CHECK WWW.MOLEX.COM FOR LATEST PART INFORMATION

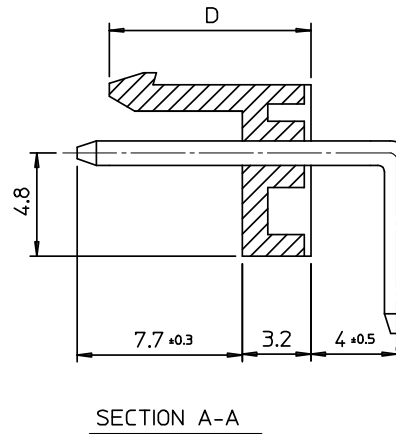
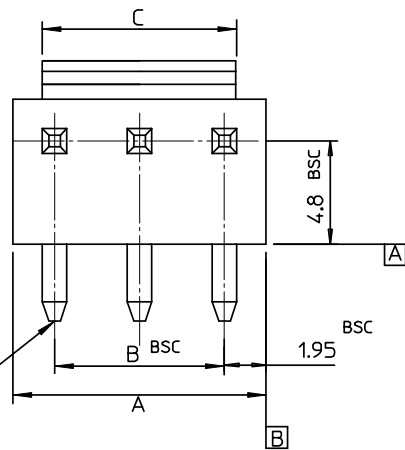
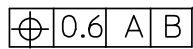
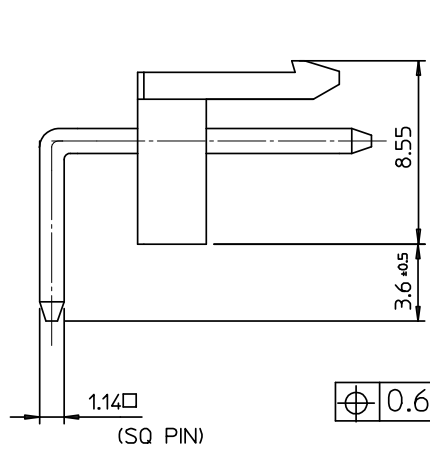


NOTES

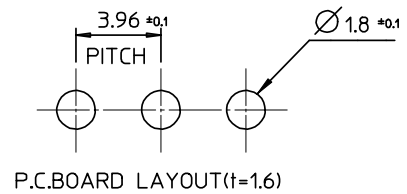
- MATERIAL : HEADER - PA66, PBT/PC
PIN : BRASS(CDA 2700)
- FINISHES : PIN
THICKNESS - TIN 3.0 MICROMETER MIN.
OVER Cu 1.5 MICROMETER MIN.
- PRODUCT SPECIFICATION : PS-35978-002

LEGEND

- 35978-****
- COLOR : 0 - WHITE
1 - BLACK
2 - RED
3 - YELLOW
4 - BLUE
 - MATERIAL : 2 : PA66 4 : PBT/PC
 - CURCUIT NO. (02,03,04...)



9.4	56.50	55.44	59.40	3597815**	35978-15**	15		
	52.54	51.48	55.44	3597814**	-14**	14		
9.7	48.58	47.52	51.48	3597813**	-13**	13		
	44.62	43.56	47.52	3597812**	-12**	12		
	40.66	39.60	43.56	3597811**	-11**	11		
	36.70	35.64	39.60	3597810**	-10**	10		
	32.74	31.68	35.64	3597809**	-09**	9		
	28.78	27.72	31.68	3597808**	-08**	8		
	24.84	23.76	27.72	3597807**	-07**	7		
	20.86	19.80	23.76	3597806**	-06**	6		
	16.90	15.84	19.80	3597805**	-05**	5		
	12.94	11.88	15.84	3597804**	-04**	4		
8.98	7.92	11.88	3597803**	-03**	3			
D	9.7	5.02	3.96	7.92	3597802**	-02**	2	
		D	C	B	A	MAT'L NO	ENG NO.	CURCUITS



REVISED	DESCRIPTION
EC NO: KOR2008-0143	
DRWN: JHPARK01	2008/02/26
CHKD: WY. YANG	2008/07/26
APPR: YUNS.IKK.IM	2008/02/27
REV	

QUALITY SYMBOLS	DESCRIPTION
▽=0	
∇=0	

GENERAL TOLERANCES (UNLESS SPECIFIED)	
	mm INCH
4 PLACES	± --- ± ---
3 PLACES	± --- ± ---
2 PLACES	± --- ± ---
1 PLACE	± 0.2 ± ---
ANGULAR ± 2 °	
DRAFT WHERE APPLICABLE MUST REMAIN WITHIN DIMENSIONS	

DIMENSION STYLE	
MM ONLY	
DRAWN BY	DATE
Y. R. WI	1999/05/07
CHECKED BY	DATE
J. K. OH	1999/05/07
APPROVED BY	DATE
C. W. LEE	1999/05/07
MATERIAL NO.	
SEE TABLE	
SIZE	
A3	

SCALE	DESIGN UNITS	THIRD ANGLE PROJECTION
4:1	METRIC	☉
TITLE		
3.96 W/B HEADER ASSY(RA)		
MATERIAL NO.		SHEET NO.
SEE TABLE		1 OF 01
MOLLEX INCORPORATED		
DOCUMENT NO.		
SD-35978-002		