

PLEASE CHECK WWW.MOLEX.COM FOR LATEST PART INFORMATION

Part Number: **0677790003**
Status: **Active**
Description: AV RCA Jack Connector, Dual Row, Side by Side, 6 Ports, Color and SV Position from Front View (Left column: Yellow, White, Red; Right Column: Green, Blue, Red)

Documents:

[3D Model](#) [Product Specification PS-67779-002 \(PDF\)](#)
[Drawing \(PDF\)](#) [RoHS Certificate of Compliance \(PDF\)](#)

General

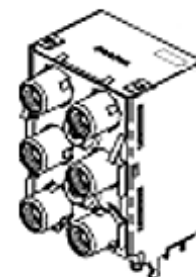
Product Family	I/O Connectors
Series	67779
Application	Wire-to-Board
Component Type	Receptacle
Product Name	Audio/Phono Jack
Type	N/A

Physical

Boot Color	N/A
Circuits (Loaded)	12
Circuits (maximum)	12
Durability (mating cycles max)	150
Gender	Male
Keying to Mating Part	Yes
Lock to Mating Part	None
Material - Plating Mating	Tin
Material - Plating Termination	Tin
Number of Rows	3
Orientation	Right Angle
PC Tail Length (in)	0.138 In
PC Tail Length (mm)	3.50 mm
PCB Locator	Yes
PCB Retention	Yes
PCB Thickness Recommended (in)	0.063 In
PCB Thickness Recommended (mm)	1.60 mm
Packaging Type	Tray
Panel Mount	Yes
Pitch - Mating Interface (in)	0.591 In
Pitch - Mating Interface (mm)	15.00 mm
Plating min: Mating (µin)	100
Plating min: Mating (µm)	2.5
Polarized to Mating Part	Yes
Polarized to PCB	Yes
Ports	6
Surface Mount Compatible (SMC)	No
Temperature Range - Operating	-40°C to +60°C
Termination Interface: Style	Through Hole
Waterproof / Dustproof	No

Electrical

Current - Maximum per Contact	2A
Grounding to Panel	Press-Fit
Shield Type	Full Shield
Shielded	Yes
Voltage - Maximum	12V DC



Series

image - Reference only

EU RoHS

**ELV and RoHS
Compliant**
REACH SVHC
 Not Reviewed
Halogen-Free
Status
 Not Reviewed

China RoHS



**Need more information on product
environmental compliance?**

Email productcompliance@molex.com
 For a multiple part number RoHS Certificate of Compliance, [click here](#)

Please visit the [Contact Us](#) section for any non-product compliance questions.

Search Parts in this Series

[67779Series](#)

Mates With

AV Plug

Solder Process Data

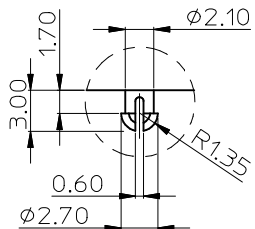
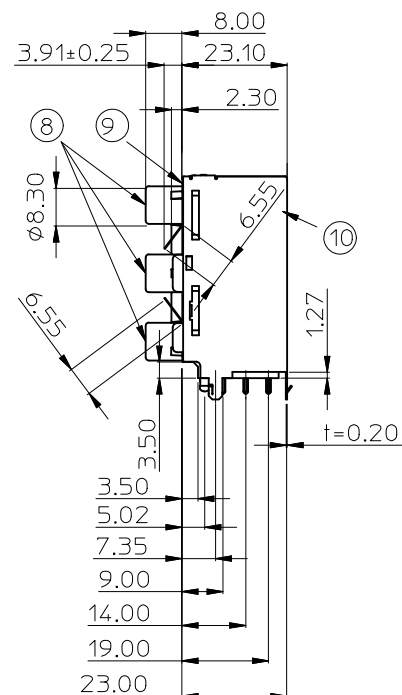
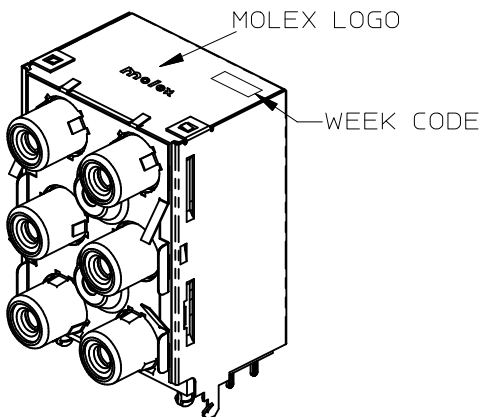
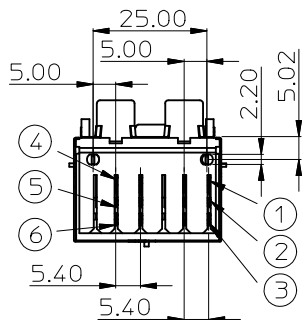
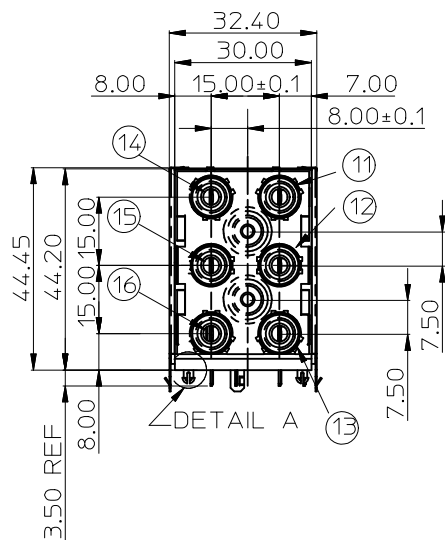
Duration at Max. Process Temperature (seconds)	5
Lead-free Process Capability	Wave Capable (TH only)
Max. Cycles at Max. Process Temperature	1
Process Temperature max. C	270

Material Info**Reference - Drawing Numbers**

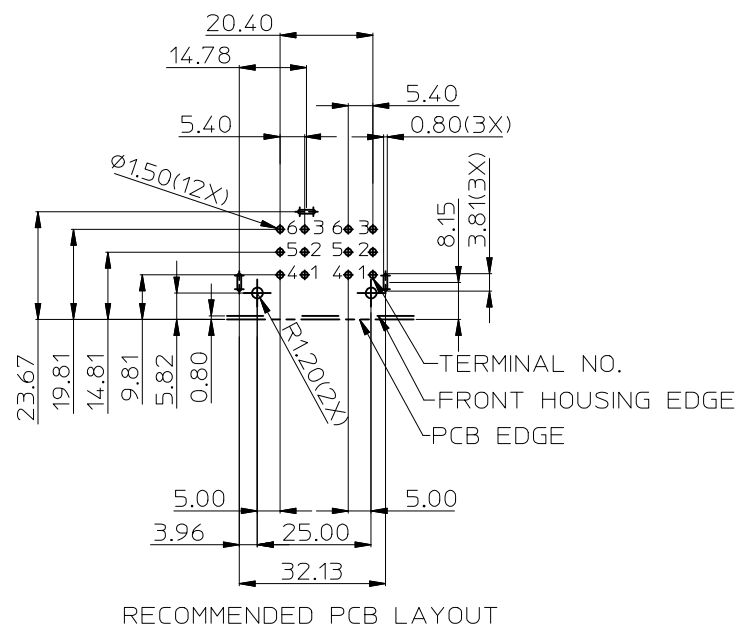
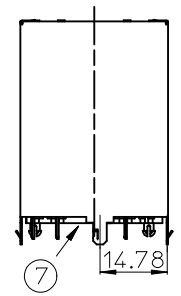
Product Specification	PS-67779-002
Sales Drawing	SD-67779-101

This document was generated on 04/02/2010

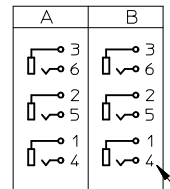
PLEASE CHECK WWW.MOLEX.COM FOR LATEST PART INFORMATION



DETAIL A
(SCALE 3:1)



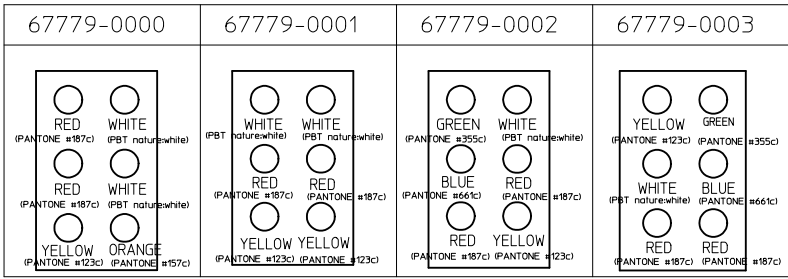
RECOMMENDED PCB LAYOUT



TERMINAL NO.
CIRCUIT

RELEASE EC NO: SH2009-0455 DRWN:FYANG05 CHKD: APPR:HWANG 2008/12/24 2008/12/24 2009/01/07	DESCRIPTION QUALITY SYMBOLS ▽=0 ◻=0	GENERAL TOLERANCES (UNLESS SPECIFIED)		DIMENSION STYLE MM ONLY		SCALE 1:1	DESIGN UNITS METRIC	THIRD ANGLE PROJECTION		
			mm	INCH	DRAWN BY	DATE	TITLE			
		4 PLACES	± ---	± ---	IVY LIN	2006/07/13	DUAL ROW SIDE BY SIDE AV RCA JACK CONNECTOR (LEAD FREE VERSION)			
		3 PLACES	± ---	± ---	CHECKED BY	DATE				
2 PLACES	± 0.25	± ---	APPROVED BY	DATE	MOLEX INCORPORATED					
1 PLACE	± 0.25	± ---	ERICK LAN	2006/07/14						
ANGULAR ± 3 °		DRAFT WHERE APPLICABLE MUST REMAIN WITHIN DIMENSIONS		MATERIAL NO. SEE SHEET 2		DOCUMENT NO. SD-67779-101		SHEET NO. 1 OF 2		
THIS DRAWING CONTAINS INFORMATION THAT IS PROPRIETARY TO MOLEX INCORPORATED AND SHOULD NOT BE USED WITHOUT WRITTEN PERMISSION										

COLOR AND SV POSITION (FRONT VIEW)



P/N	COVER PLATING
67779-0000	NICKEL PLATED,50 MICROINCH MIN.
67779-0001	GOLD FLASH
67779-0002	NICKEL PLATED,50 MICROINCH MIN.
67779-0003	NICKEL PLATED,50 MICROINCH MIN.

LTR	PART NAME	QTY	MATERIAL	PLATED	UL94	COLOR
1	TERMINAL A	2	0.4mm THK, SPCC	TIN PLATED: THICKNESS=100~120 MICROINCH MIN. UNDER PLATED: NICKEL(Ni)=THICKNESS=50 MICROINCH MIN.		
2	TERMINAL B	2				
3	TERMINAL C	2				
4	CONTACT A	2				
5	CONTACT B	2				
6	CONTACT C	2				
7	HOUSING	1	ABS RESIN		94V-0	BLACK
8	COVER	6	0.4mm THK, SPCC	SEE TABLE		
9	FRONT SHELL	1	0.2mm THK,SUS 304			
10	BACK SHELL	1	0.2mm THK, BRASS	TIN PLATED:THICKNESS=100~120 MICROINCH MIN. UNDER PLATED:NICKEL(Ni),THICKNESS=50 MICROINCH MIN.		
11~16	WASHER		PBT GLASS FIBER		94V-0	SEE TABLE

- NOTES:
 1.RECOMMENDED THICKNESS OF P.C.B: 1.60±0.05mm.
 2.PRODUCT SPECIFICATION:REFER TO PS-67779-001.
 3.PACKAGING SPECIFICATION:REFER TO PK-67779-001.
 4.TEST SUMMARY REFER TO:TS-67779-001.
 5.LEAD FREE AND ROHS COMPLIANT PRODUCT.
 6.WEEK CODE:xxxxx



RELEASE EC NO: SH2009-0455 DRW: F YANG05 CH'KD: 2008/12/24 APPR: HWANG 2009/01/07	QUALITY SYMBOLS ▽=0 ◁=0	GENERAL TOLERANCES (UNLESS SPECIFIED)		DIMENSION STYLE MM ONLY		SCALE 1:1	DESIGN UNITS METRIC	THIRD ANGLE PROJECTION	
		4 PLACES ± --- ± ---	3 PLACES ± --- ± ---	DRAWN BY IVY LIN	DATE 2006/07/13	TITLE DUAL ROW SIDE BY SIDE AV RCA JACK CONNECTOR (LEAD FREE VERSION)			
		2 PLACES ± 0.25 ± ---	1 PLACE ± 0.25 ± ---	CHECKED BY ALLEN LIN	DATE 2006/07/14	MOLEX INCORPORATED			
		ANGULAR ± 3 °		APPROVED BY ERICK LAN	DATE 2006/07/14	MATERIAL NO. SEE TABLE	DOCUMENT NO. SD-67779-101	SHEET NO. 2 OF 2	
DRAFT WHERE APPLICABLE MUST REMAIN WITHIN DIMENSIONS		SIZE A3		THIS DRAWING CONTAINS INFORMATION THAT IS PROPRIETARY TO MOLEX INCORPORATED AND SHOULD NOT BE USED WITHOUT WRITTEN PERMISSION					