

PLEASE CHECK WWW.MOLEX.COM FOR LATEST PART INFORMATION

Part Number: [0761035001](#)
Status: **Active**
Overview: [sfp_stacked_multiport_connectors](#)
Description: Small Form-factor Pluggable Plus (SFP+) Stacked 2-by-5 Multi-Port Press Fit Connector without Lightpipe Ports, Elastomeric Gasket, 200 Circuits, Tin (Sn) Tails

Documents:

3D Model	Test Summary (PDF)
Drawing (PDF)	Product Specification PS-75310-001 (PDF)
Application Specification (PDF)	RoHS Certificate of Compliance (PDF)

Agency Certification

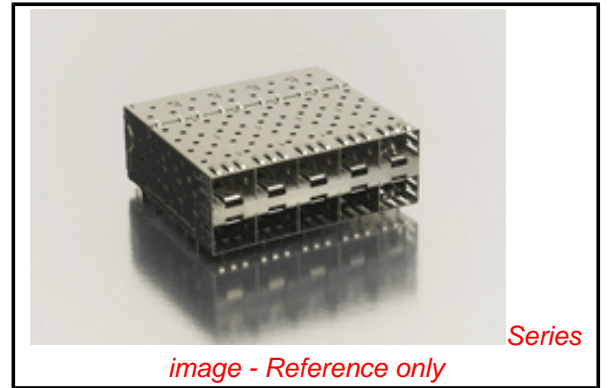
CSA	LR19980
UL	E29179

General

Product Family	I/O Connectors
Series	76103
Application	Module-to-Board
Component Type	Receptacle
Overview	sfp_stacked_multiport_connectors
Product Name	SFP Plus
Type	N/A

Physical

Boot Color	N/A
Circuits (Loaded)	200
Circuits (maximum)	200
Circuits Detail	200
Durability (mating cycles max)	100
Flammability	94V-0
Gender	Female
Keying to Mating Part	None
Lock to Mating Part	Yes
Material - Plating Mating	Gold
Number of Rows	4
Orientation	Right Angle
PC Tail Length (in)	0.081 In
PC Tail Length (mm)	2.07 mm
PCB Locator	Yes
PCB Retention	Yes
PCB Thickness Recommended (in)	0.062 In
PCB Thickness Recommended (mm)	1.57 mm
Packaging Type	Tray
Panel Mount	No
Pitch - Mating Interface (in)	0.031 In
Pitch - Mating Interface (mm)	0.80 mm
Pitch - Term. Interface (in)	0.031 In
Pitch - Term. Interface (mm)	0.80 mm
Polarized to Mating Part	Yes
Polarized to PCB	Yes
Ports	10
Surface Mount Compatible (SMC)	No
Temperature Range - Operating	-40°C to +85°C
Termination Interface: Style	Through Hole - Compliant Pin
Waterproof / Dustproof	No



EU RoHS

ELV and RoHS Compliant
REACH SVHC
 Not Reviewed
Halogen-Free Status
 Not Reviewed

China RoHS



Need more information on product environmental compliance?

Email productcompliance@molex.com
 For a multiple part number RoHS Certificate of Compliance, [click here](#)

Please visit the [Contact Us](#) section for any non-product compliance questions.

Search Parts in this Series

[76103Series](#)

Use With

[0759510999 SFP Dust Plug,](#)

Application Tooling | FAQ

Tooling specifications and manuals are found by selecting the products below. Crimp Height Specifications are then contained in the Application Tooling Specification document.

Global

Description	Product #
SFP Stacked Multi-Port Insertion Tool, 2 by 5	0622029980
SFP Stacked Multi-Port Extraction Tool, 2 by 5	0622029990

Electrical

Current - Maximum per Contact	0.5A
Grounding to Panel	None
Shielded	No
Voltage - Maximum	120V AC (RMS)/DC

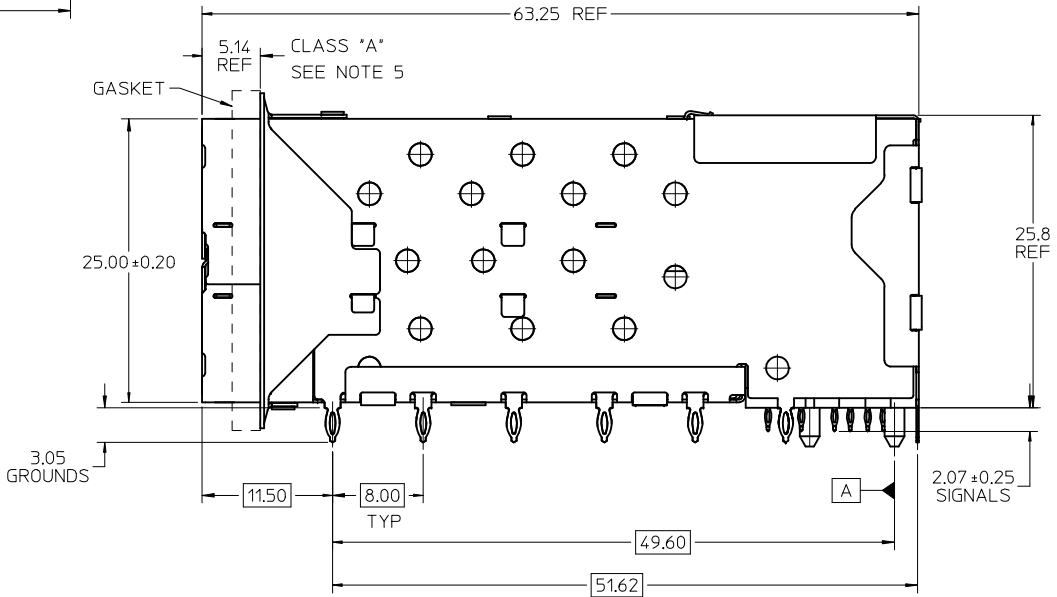
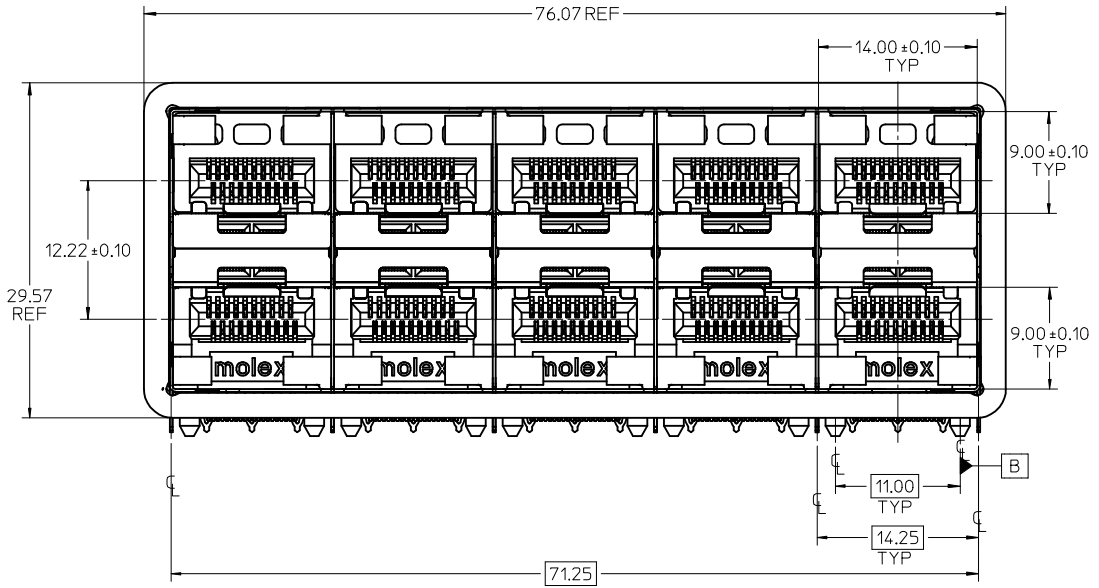
Material Info**Reference - Drawing Numbers**

Application Specification	AS-75310-001
Packaging Specification	PK-75733-001
Product Specification	PS-75310-001
Sales Drawing	SD-76103-001

This document was generated on 05/27/2010

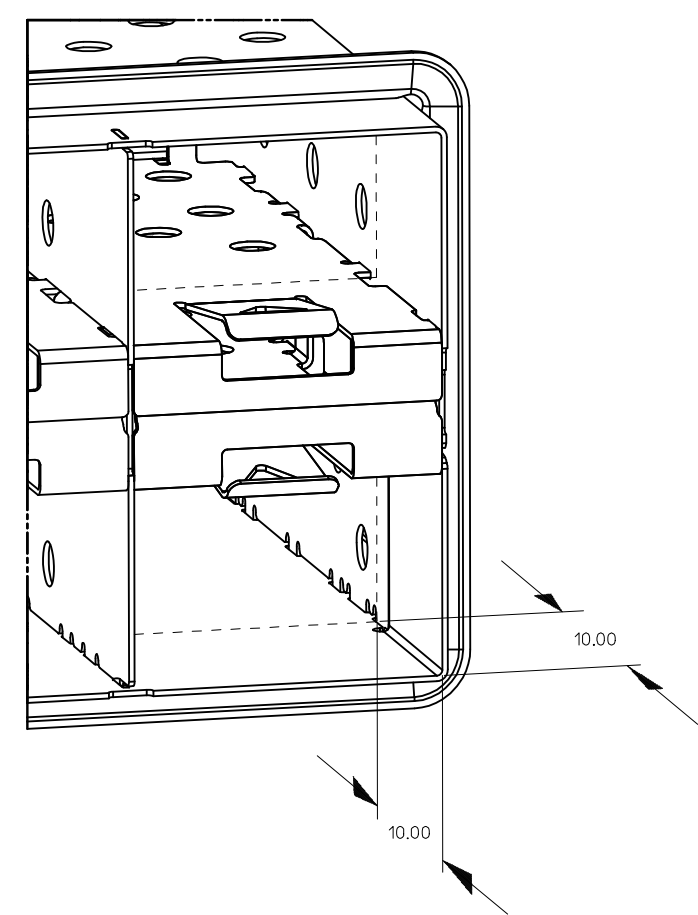
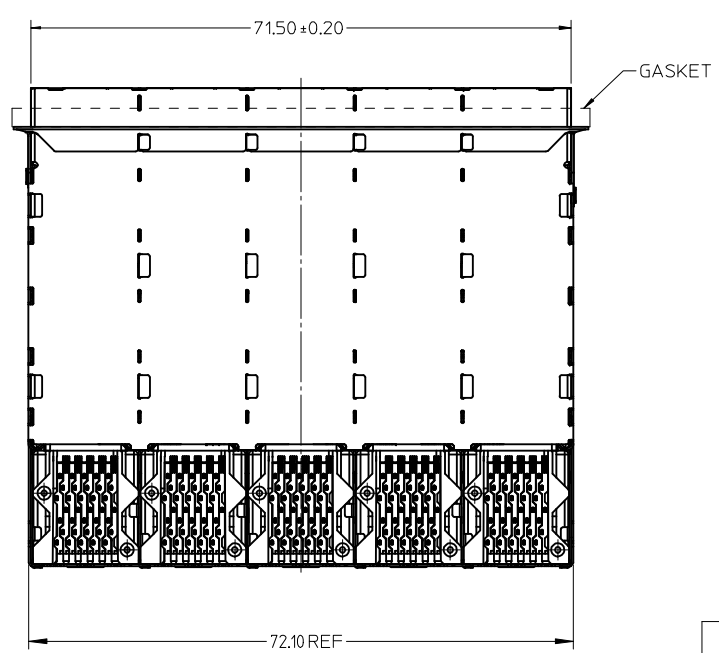
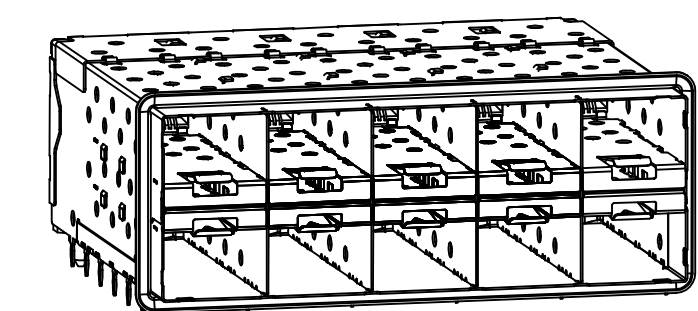
PLEASE CHECK WWW.MOLEX.COM FOR LATEST PART INFORMATION

PART NUMBER	COMPLIANT TAIL PLATING
761030001	TIN / LEAD
761035001	TIN



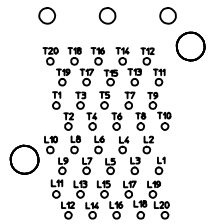
- NOTES:
- MATERIAL:
 - CAGE: NICKEL SILVER, THICKNESS: 0.25mm
 - EMI GASKET: CONDUCTIVE ELASTOMER
 - CONNECTOR HOUSING: GLASS FILLED THERMOPLASTIC, UL: 94 V-0, COLOR: BLACK
 - OVERMOLD TERMINAL HOUSING: GLASS FILLED THERMOPLASTIC, UL 94 V-0, COLOR: BLACK
 - TERMINALS: BRASS
 - FINISH
 - TERMINALS: CONTACT AREA: 0.76 MICRONS MIN. HARD GOLD OVER 1.27 MICRONS MIN. NICKEL.
 - COMPLIANT TAIL - TIN/LEAD OPTION: 0.76 - 1.52 MICRONS 90/10 TIN/LEAD OVER 0.76 - 1.52 MICRONS NICKEL
 - COMPLIANT TAIL - TIN OPTION: 0.76 - 1.52 MICRONS TIN OVER 0.76 - 1.52 MICRONS NICKEL
 - REFER TO PS-75310-001 PRODUCT SPEC FOR ALL ELECTRICAL, MECHANICAL AND ENVIRONMENTAL SPECIFICATIONS.
 - REFER TO PK-75733-001 FOR ALL PACKAGING SPECIFICATIONS.
 - ALL EXTERIOR SURFACES TO BE CLASS "B" SURFACES EXCEPT THE UNDER SIDE OF THE CAGE WHERE THE PCB WOULD BE LOCATED AND AS NOTED. THE SURFACES TO CONFORM TO THE MOLEX COSMETIC DOC PS-45499-002.

ADD KEEP OUT ZONES EC NO: UCP2009-1356 DRAWN BY: DRWINMS (BARRA) CHKD: 2009/08/06 APPR: MILLER DATE: 2009/08/06	QUALITY SYMBOLS ▽=0 ▽=0	GENERAL TOLERANCES (UNLESS SPECIFIED)	DIMENSION STYLE MM ONLY	SCALE 3:1	DESIGN UNITS METRIC	THIRD ANGLE PROJECTION
	DESCRIPTION	mm INCH	DRAWN BY DATE JLONG 01-18-2007	TITLE STACKED SFP+ 2X5 ASS'Y WITH ELASTOMERIC GASKET	MOLEX MOLEX INCORPORATED	
		4 PLACES ± --- ± ---	CHECKED BY DATE	APPROVED BY DATE RNELSON 01-18-2007	DOCUMENT NO. SD-76103-001	SHEET NO. 1 OF 4
		3 PLACES ± --- ± ---				
		2 PLACES ± 0.13 ± ---				
		1 PLACE ± 0.25 ± ---				
		ANGULAR ± 5 °				
		DRAFT WHERE APPLICABLE MUST REMAIN WITHIN DIMENSIONS	SEE TABLE			
			SIZE C	THIS DRAWING CONTAINS INFORMATION THAT IS PROPRIETARY TO MOLEX INCORPORATED AND SHOULD NOT BE USED WITHOUT WRITTEN PERMISSION		

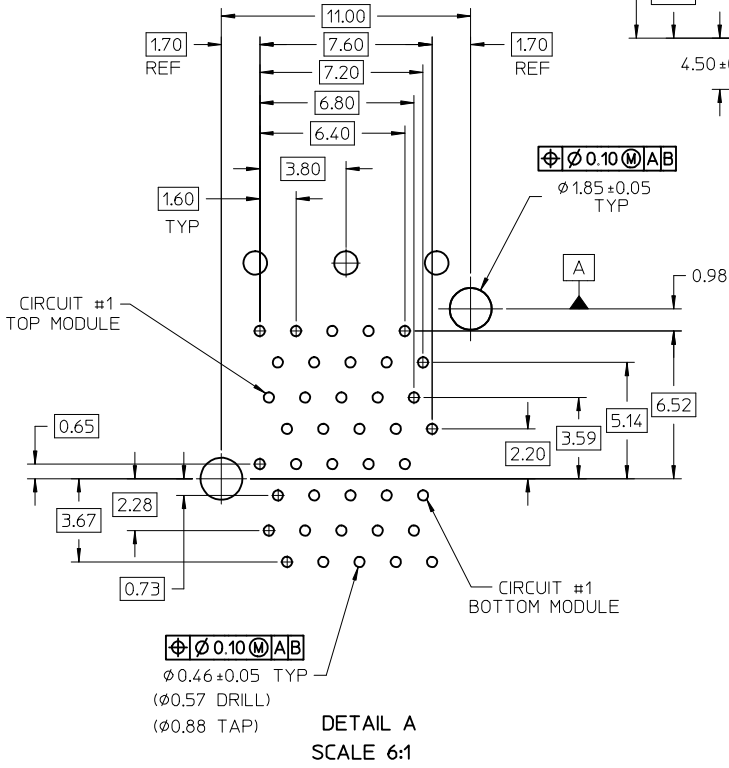
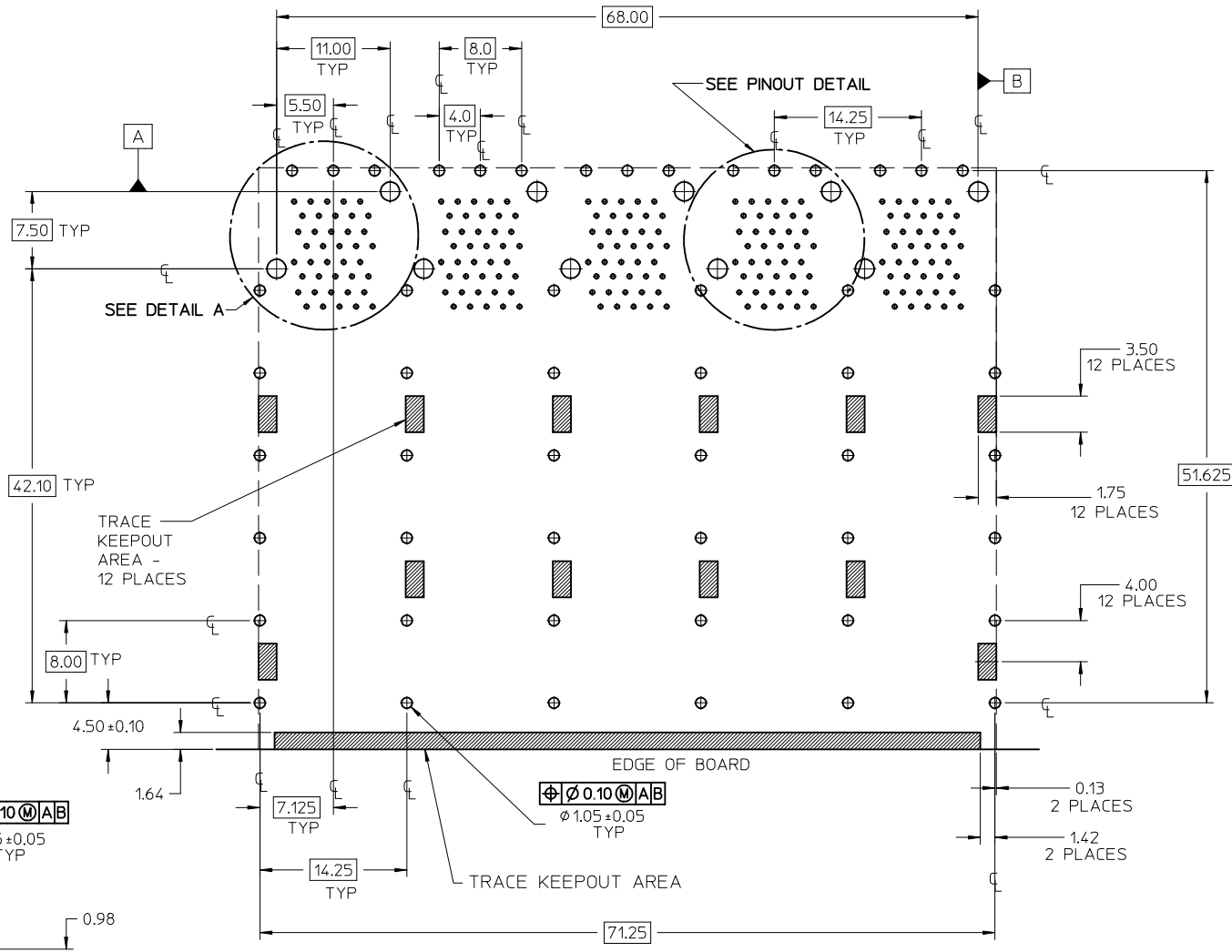


10.00mm AREA SETBACK IN CAGE IS TO BE FREE OF ANY HOLES, DIMPLES, SEAMS OR ANY OTHER FEATURE. (4 SIDES PER PORT)

SEE SHEET 1 EC NO: UCP2009-1356 DRWN:MS BARRA 2009/08/04 CHKD: MILLER 2009/08/06 APPR:SMILLER 2009/08/06	QUALITY SYMBOLS ▼=0 ▽=0	GENERAL TOLERANCES (UNLESS SPECIFIED) <table border="1"> <thead> <tr> <th></th> <th>mm</th> <th>INCH</th> </tr> </thead> <tbody> <tr> <td>4 PLACES</td> <td>± .13</td> <td>± .005</td> </tr> <tr> <td>3 PLACES</td> <td>± .25</td> <td>± .010</td> </tr> <tr> <td>2 PLACES</td> <td>± 0.13</td> <td>± .005</td> </tr> <tr> <td>1 PLACE</td> <td>± 0.25</td> <td>± .010</td> </tr> </tbody> </table> ANGULAR ± 5 °		mm	INCH	4 PLACES	± .13	± .005	3 PLACES	± .25	± .010	2 PLACES	± 0.13	± .005	1 PLACE	± 0.25	± .010	DIMENSION STYLE MM ONLY DRAWN BY: JLONG DATE: 01-18-2007 CHECKED BY: _____ DATE: _____	SCALE: 2:1 DESIGN UNITS: METRIC THIRD ANGLE PROJECTION	TITLE: STACKED SFP+ 2X5 ASS'Y WITH ELASTOMERIC GASKET
		mm	INCH																	
	4 PLACES	± .13	± .005																	
	3 PLACES	± .25	± .010																	
2 PLACES	± 0.13	± .005																		
1 PLACE	± 0.25	± .010																		
APPROVED BY: RNELSON DATE: 01-18-2007	MATERIAL NO.	DOCUMENT NO.	SHEET NO.																	
DRAFT WHERE APPLICABLE MUST REMAIN WITHIN DIMENSIONS	SIZE: C	SEE TABLE	MOLEX INCORPORATED	SD-76103-001	2 OF 4															
THIS DRAWING CONTAINS INFORMATION THAT IS PROPRIETARY TO MOLEX INCORPORATED AND SHOULD NOT BE USED WITHOUT WRITTEN PERMISSION																				



CONNECTOR PIN-OUT DETAIL
COMPONENT SIDE OF BOARD

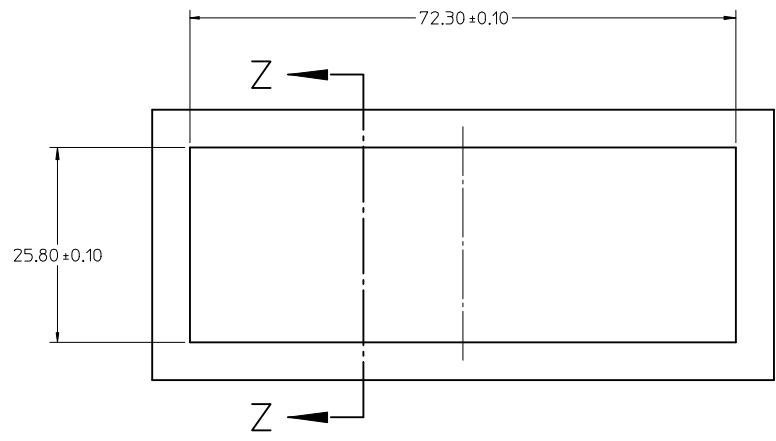


$\varnothing 0.10$ A/B
 $\varnothing 0.46 \pm 0.05$ TYP
($\varnothing 0.57$ DRILL)
($\varnothing 0.88$ TAP)

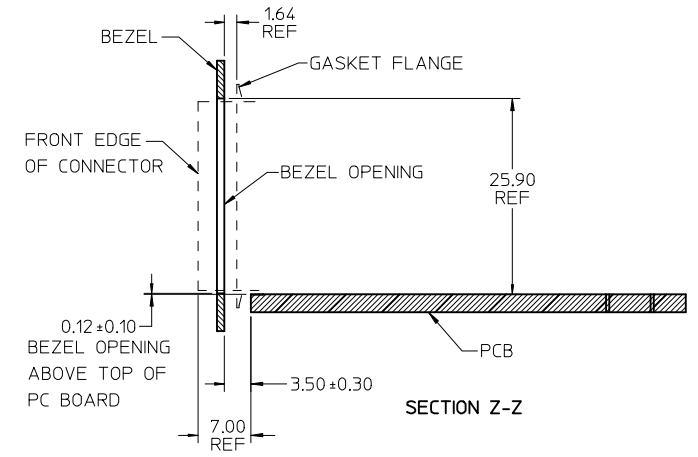
DETAIL A
SCALE 6:1

RECOMMENDED PCB LAYOUT - COMPONENT SIDE
RECOMMENDED PCB THICKNESS - 2.36 MM (.093 INCH)
THE ENTIRE AREA OF THE CONNECTOR FOOTPRINT
TO BE CONSIDERED THE KEEP OUT AREA FOR COMPONENTS
THIS AREA IS INDICATED BY THE DASHED LINE

ADD KEEP OUT ZONES EC NO: UCP2009-1356 DRWNGS: BARRA 2009/08/04 CHKD: 2009/08/06 APPR: MILLER 2009/08/06	QUALITY SYMBOLS $\nabla=0$ $\nabla=0$	GENERAL TOLERANCES (UNLESS SPECIFIED)		DIMENSION STYLE MM ONLY	SCALE 3:1	DESIGN UNITS METRIC	THIRD ANGLE PROJECTION	
				DRAWN BY JLONG	DATE 01-18-2007	TITLE STACKED SFP+ 2X5 ASS'Y WITH ELASTOMERIC GASKET		
				CHECKED BY	DATE	APPROVED BY RNELSON		
				APPROVED BY RNELSON		DATE 01-18-2007	DOCUMENT NO. SD-76103-001	
DRAFT WHERE APPLICABLE MUST REMAIN WITHIN DIMENSIONS		MATERIAL NO. SEE TABLE		SHEET NO. 3 OF 4		SHEET NO. 3 OF 4		
THIS DRAWING CONTAINS INFORMATION THAT IS PROPRIETARY TO MOLEX INCORPORATED AND SHOULD NOT BE USED WITHOUT WRITTEN PERMISSION								



BEZEL CUTOUT CENTER SPACING DETAIL
BEZEL THICKNESS 0.8-2.6



SEE SHEET 1 EC NO: UCP2009-1356 DRWN:MSIBARRA 2009/08/04 CHKD: 2009/08/06 APPR:SMILLER 2009/08/06	QUALITY SYMBOLS ▽=0 ▽=0	GENERAL TOLERANCES (UNLESS SPECIFIED)		DIMENSION STYLE MM ONLY	SCALE 2:1	DESIGN UNITS METRIC	THIRD ANGLE PROJECTION		
		4 PLACES ± --- ± ---	3 PLACES ± --- ± ---	DRAWN BY JLONG	DATE 01-18-2007	TITLE STACKED SFP+ 2X5 ASS'Y WITH ELASTOMERIC GASKET			
		2 PLACES ± 0.13 ± ---	1 PLACE ± 0.25 ± ---	CHECKED BY	DATE	APPROVED BY RNELSON			
		ANGULAR ± 5 °		DATE 01-18-2007		MOLEX INCORPORATED			
DRAFT WHERE APPLICABLE MUST REMAIN WITHIN DIMENSIONS	MATERIAL NO. SEE TABLE	DOCUMENT NO. SD-76103-001		SHEET NO. 4 OF 4					
THIS DRAWING CONTAINS INFORMATION THAT IS PROPRIETARY TO MOLEX INCORPORATED AND SHOULD NOT BE USED WITHOUT WRITTEN PERMISSION									