

PLEASE CHECK WWW.MOLEX.COM FOR LATEST PART INFORMATION

Part Number: [0554601572](#)
Status: **Active**
Description: 2.00mm (.079") Pitch Mi II™ System Wire-to-Board Header, Surface Mount, Single Row, Vertical, Lead-free, 15 Circuits

Documents:

[3D Model](#) [Product Specification PS-52484-022 \(PDF\)](#)
[Drawing \(PDF\)](#) [RoHS Certificate of Compliance \(PDF\)](#)
[Product Specification PS-51090-017 \(PDF\)](#)

General

Product Family PCB Headers
 Series [55460](#)
 Application Wire-to-Board
 Product Name Mi II™

Physical

Breakaway No
 Circuits (Loaded) 15
 Circuits (maximum) 15
 Color - Resin Natural
 Durability (mating cycles max) 30
 First Mate / Last Break No
 Glow-Wire Compliant No
 Guide to Mating Part No
 Keying to Mating Part None
 Lock to Mating Part No
 Material - Metal Phosphor Bronze
 Material - Plating Mating Tin
 Material - Plating Termination Tin
 Material - Resin High Temperature Thermoplastic
 Number of Rows 1
 Orientation Vertical
 PCB Locator No
 PCB Retention Yes
 Packaging Type Embossed Tape on Reel
 Pitch - Mating Interface (in) 0.079 In
 Pitch - Mating Interface (mm) 2.00 mm
 Shrouded Fully
 Stackable No
 Temperature Range - Operating -40°C to +105°C
 Termination Interface: Style Surface Mount

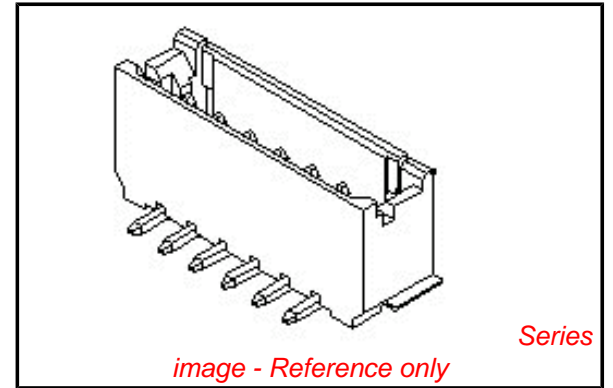
Electrical

Current - Maximum per Contact 1.5A
 Voltage - Maximum 125V

Material Info

Reference - Drawing Numbers

Product Specification PS-51090-017, PS-52484-022, RPS-51090-026
 Sales Drawing SD-55460-010, SD-55460-011



EU RoHS

**ELV and RoHS
 Compliant**
REACH SVHC
 Not Reviewed
**Halogen-Free
 Status**
Not Reviewed

China RoHS



**Need more information on product
 environmental compliance?**

Email productcompliance@molex.com
 For a multiple part number RoHS Certificate of Compliance, [click here](#)

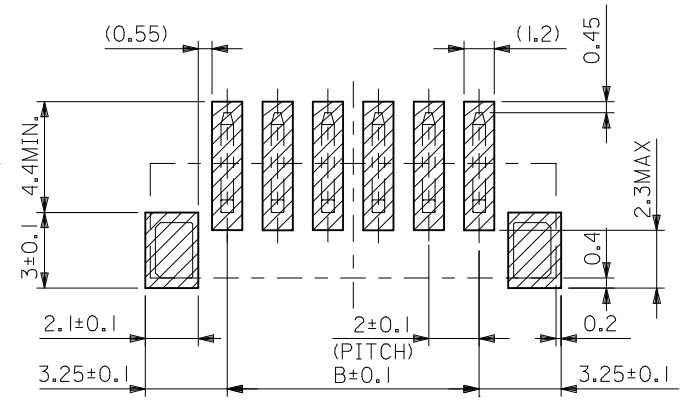
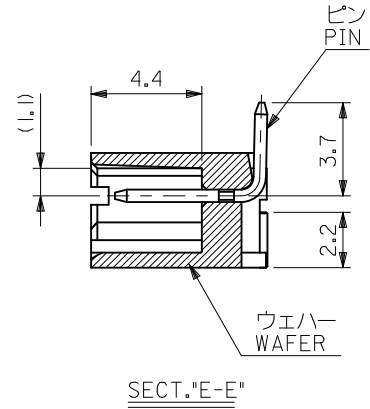
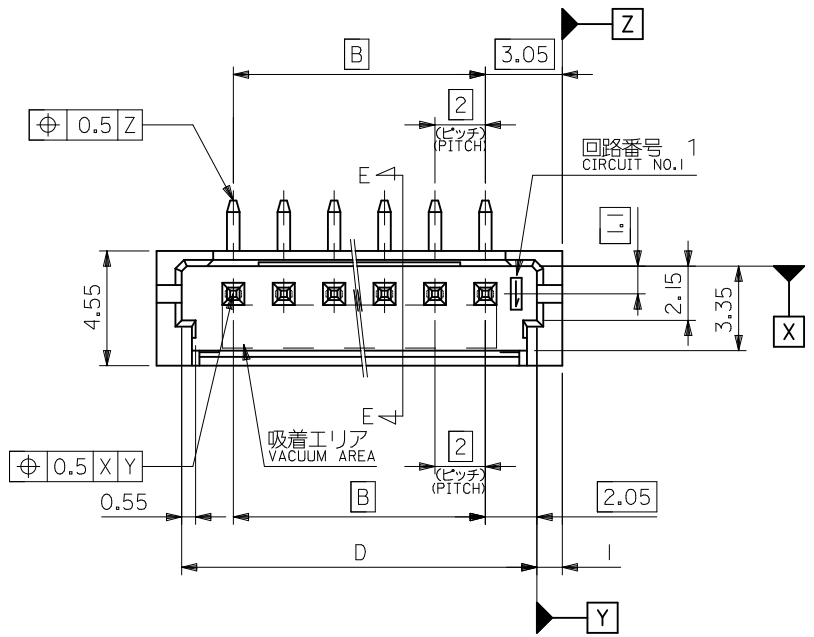
Please visit the [Contact Us](#) section for any non-product compliance questions.

Search Parts in this Series

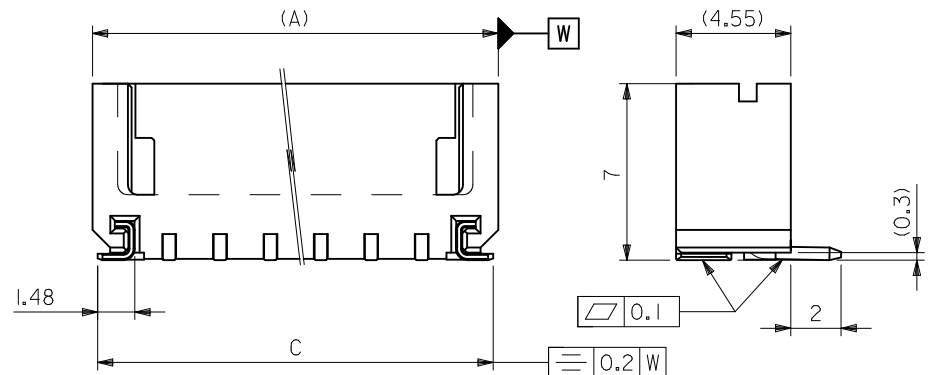
[55460Series](#)

Mates With

[52484](#) IDT Receptacle Housing. [51090](#) Wire-to-Board Receptacle



参考基板レイアウト
RECOMMENDED P.C.BOARD PATTERN DIM.(REF.)



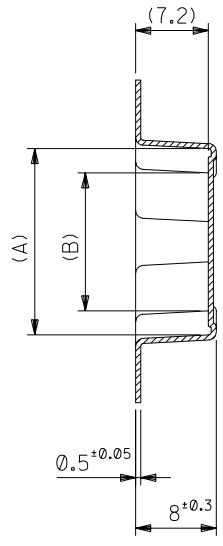
32.1	33.7	28	34.1	55460-1572	15
28.1	29.7	24	30.1	-1372	13
26.1	27.7	22	28.1	-1272	12
22.1	23.7	18	24.1	-1072	10
18.1	19.7	14	20.1	-0872	8
16.1	17.7	12	18.1	-0772	7
14.1	15.7	10	16.1	-0672	6
12.1	13.7	8	14.1	-0572	5
10.1	11.7	6	12.1	-0472	4
8.1	9.7	4	10.1	-0372	3
6.1	7.7	2	8.1	55460-0272	2
D	C	B	A	EMBOSSED PACKAGE オーダー番号 ORDER No.	種数 CKTS.

注記
NOTES

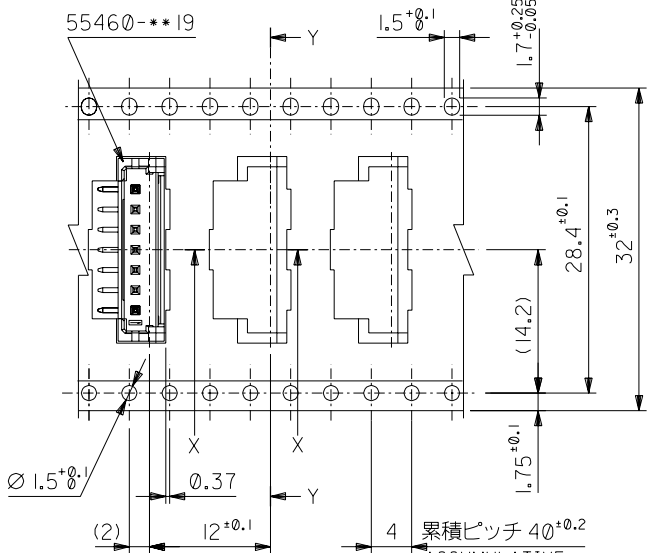
1. 材質
MATERIAL
ウェハー: PA (UL94V-0)
WAFER : PA (UL94V-0)
ピン : 黄銅 (口0.5), 銅下地錫メッキ
PIN : BRASS(0.5), TIN OVER COPPER PLATING
金具 : リン青銅(+0.25), ニッケル下地錫メッキ
NAIL : PHOSPHOR BRONZE(+0.25), TIN OVER NICKEL PLATING
2. 嵌合相手: 51090, 52484 シリーズ
MATE WITH 51090, 52484 SERIES.
3. 本製品は 55460-***10 の鉛フリー品である。
THIS PRODUCT IS LEAD FREE OF 55460-***10.
4. ELV AND RoHS COMPLIANT.

REVISED EC NO: J2009-1664 DRWN: YA0YAGI 2008/07/09 CHKD: HATSUMOTO 2010/03/26 APPR: NUKITA 2010/03/26	DESCRIPTION	GENERAL TOLERANCES (UNLESS SPECIFIED)	
		10 UNDER	±0.2
		10 OVER 30 UNDER	±0.25
		30 OVER	±0.3
REV	DESCRIPTION	ANGULAR	±3 °
		DRAFT WHERE APPLICABLE MUST REMAIN WITHIN DIMENSIONS	

DIMENSION STYLE MM ONLY		SCALE ---	DESIGN UNITS METRIC	THIRD ANGLE PROJECTION	
DRAWN BY T. UENO	DATE 2004/03/29	TITLE 2.0 W/B CONN WAFER ASSY FOR SMT ST			
CHECKED BY M. SASAO	DATE 2004/03/29	MOLEX INCORPORATED			
APPROVED BY M. SASAO	DATE 2004/03/29	MATERIAL NO.	DOCUMENT NO.	SHEET NO.	
SEE TABLE		SD-55460-010		1 OF 1	
THIS DRAWING CONTAINS INFORMATION THAT IS PROPRIETARY TO MOLEX INCORPORATED AND SHOULD NOT BE USED WITHOUT WRITTEN PERMISSION					

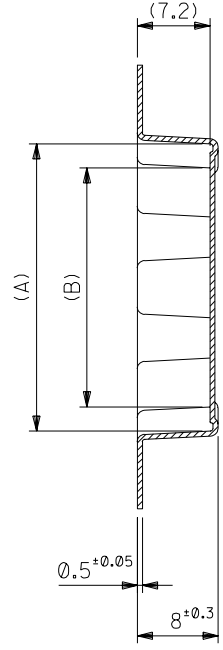


SECT. Y-Y

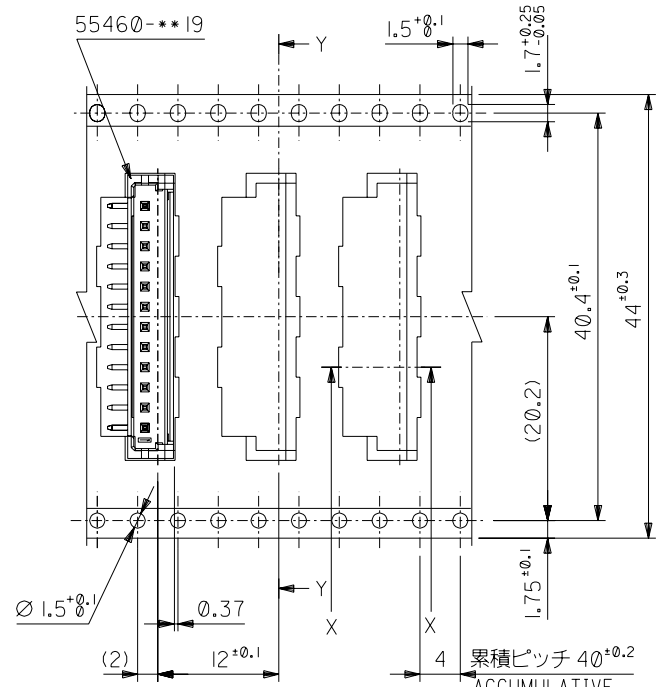


引き出し方向
PULL OUT DIRECTION

32mm幅キャリアテープ
32mm WIDTH CARRIER TAPE

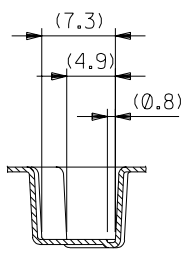


SECT. Y-Y



引き出し方向
PULL OUT DIRECTION

44mm幅キャリアテープ
44mm WIDTH CARRIER TAPE



SECT. X-X

44	49.4	45.4	25.7	30.45	55460-1372	13
			23.7	28.45	55460-1272	12
32	37.4	33.4	19.7	24.45	55460-1072	10
			15.7	20.45	55460-0872	8
			13.7	18.45	55460-0772	7
キャリアテープ幅	D	C	B	A	MATERIAL NO.	種数 CKTS.

55460-***72 MODEL NO. DIMENSIONS: SHT REV
SCALE DESIGN UNITS THIRD ANGLE PROJECTION
DRAWN BY & DATE T.UENO '04/03/29
CHECKED BY & DATE M.SASAO '04/03/29
APPROVED BY & DATE M.SASAO '04/03/29
CAD FILENAME SD-55460-011.S02 MATERIAL NO. DRAWING NO. SHEET NO.
SEE CHART SD-55460-011 2 OF 3

TITLE: 2.0 WtB Conn WAFER Assy -LEAD FREE- Embstp pkg
MOLEX MOLEX INCORPORATED

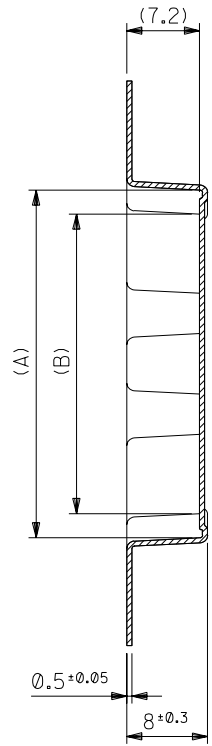
THIS DRAWING CONTAINS INFORMATION THAT IS PROPRIETARY TO MOLEX INCORPORATED AND SHOULD NOT BE USED WITHOUT WRITTEN PERMISSION. SIZE B

DO NOT SCALE DRAWING

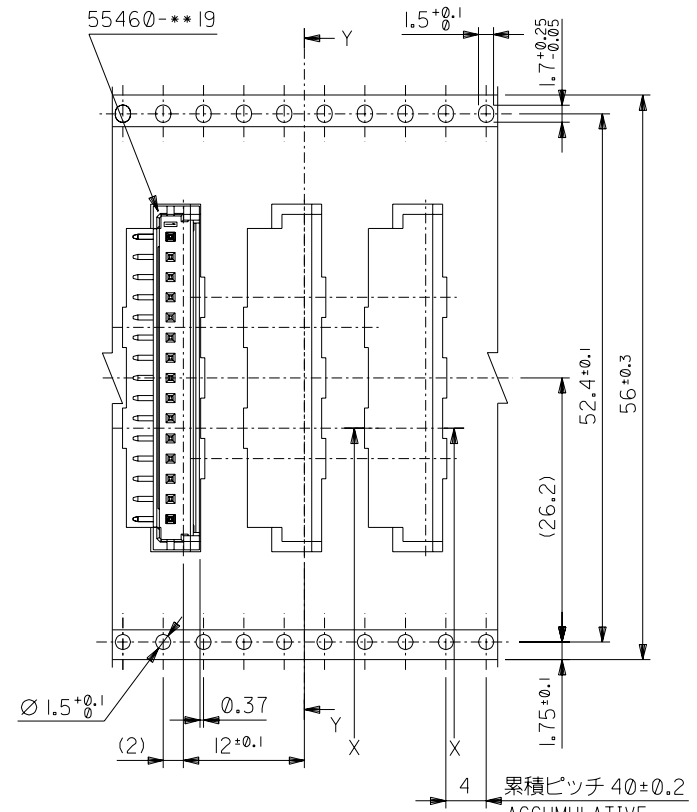
EC NO. DRWN: CHK: APPR:	EC NO. DRWN: CHK: APPR:	EC NO. DRWN: CHK: APPR:	EC NO. DRWN: CHK: APPR:	EC NO. DRWN: CHK: APPR:	EC NO. DRWN: CHK: APPR:
					SEE SHEET 1 OF 3
					DESCRIPTION
					MATERIAL 材料
					FINISH 仕上げ
					WIRE RANGE 適用電線範囲
					INS. RANGE 被覆外径

SHEET 1 OF 3 参照
SEE SHEET 1 OF 3

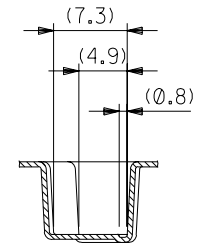
GENERAL TOLERANCES: (UNLESS SPECIFIED) 一般公差	10 UNDER 未満	±0.2
	10 OVER 30 UNDER 未満	±0.25
	30 OVER 以上	±0.3
ANGLE 角度		±3°



SECT. Y-Y



引き出し方向
PULL OUT DIRECTION
56mm幅キャリアテープ
56mm WIDTH CARRIER TAPE



SECT. X-X

56	61.4	57.4	29.7	34.45	55460-1572	15
キャリアテープ幅	D	C	B	A	MATERIAL NO.	種数 CKTS.

55460-***72		MODEL NO.	DIMENSIONS:		SHT	REV
SCALE	DESIGN UNITS	THIRD ANGLE PROJECTION	<input type="checkbox"/> mm <input type="checkbox"/> INCH	<input checked="" type="checkbox"/> mm ONLY	REVISE ON CAD ONLY	

EC NO. DRWN: CHK: APPR:	EC NO. DRWN: CHK: APPR:	EC NO. DRWN: CHK: APPR:	EC NO. DRWN: CHK: APPR:	EC NO. DRWN: CHK: APPR:	EC NO. DRWN: CHK: APPR:
EC NO. SEE SHEET 1 OF 3					
DESCRIPTION					
MATERIAL 材料					
FINISH 仕上げ					
WIRE RANGE 適用電線範囲					
INS. RANGE 被覆外径					

SHEET 1 OF 3 参照 SEE SHEET 1 OF 3	
10 UNDER 未満	±0.2
10 OVER 以上 30 UNDER 未満	±0.25
30 OVER 以上	±0.3
ANGLE 角度	±3°

GENERAL TOLERANCES: (UNLESS SPECIFIED) 一般公差	
DRAWN BY & DATE T.UENO '04/03/29	
CHECKED BY & DATE M.SASAO '04/03/29	
APPROVED BY & DATE M.SASAO '04/03/29	
CAD FILENAME SD-55460-011.S03	

TITLE: 2.0 WtB Conn WAFER Assy Embstp pkg -LEAD FREE-			
MOLEX INCORPORATED			
CAD FILENAME SD-55460-011.S03	MATERIAL NO. SEE CHART	DRAWING NO. SD-55460-011	SHEET NO. 3 OF 3
THIS DRAWING CONTAINS INFORMATION THAT IS PROPRIETARY TO MOLEX INCORPORATED AND SHOULD NOT BE USED WITHOUT WRITTEN PERMISSION.			SIZE B