



### ■ DESCRIPTION

Strip light is made of high brightness top emission LEDs mounted on flexible printed circuit board (PCB). The product is dust and waterproof.



### ■ FEATURES

Number of SMD LEDs : 85 pcs of top view LEDs  
Product size (LxWXH) : 1200mm x 13mm x 4.5mm  
Products are packed into anti-electrostatic bag  
Products can be cut into shorter units at the mark place at the sacrifice of waterproof function  
Drive voltage: 24VDC  
Low power consumption and high optical intensity  
Lead (Pb) free, and RoHS compliant

### ■ APPLICATIONS

Amusement park & theater mood lighting  
Architectural decorative lighting  
Backlighting for signage letters  
Auditorium walkway lighting  
Stairway accent lighting  
Hallway lighting



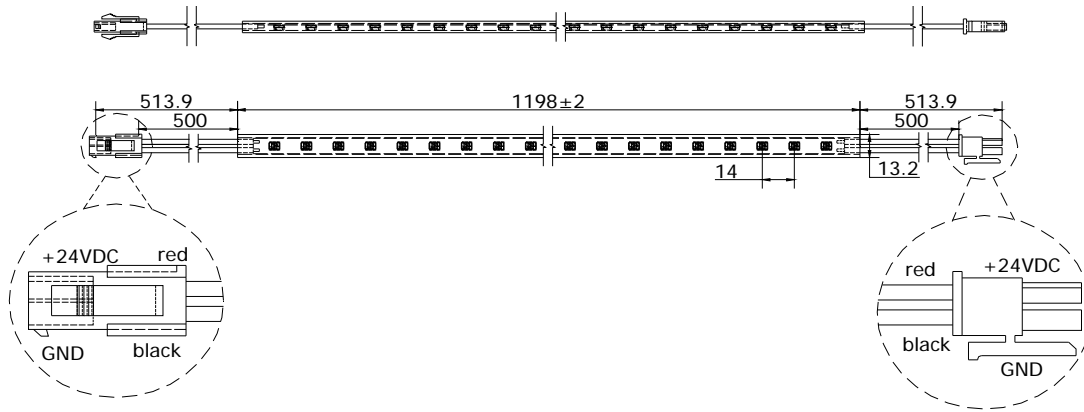
# Bright View Electronics

## WATERPROOF FLEXSTRIP LIGHT

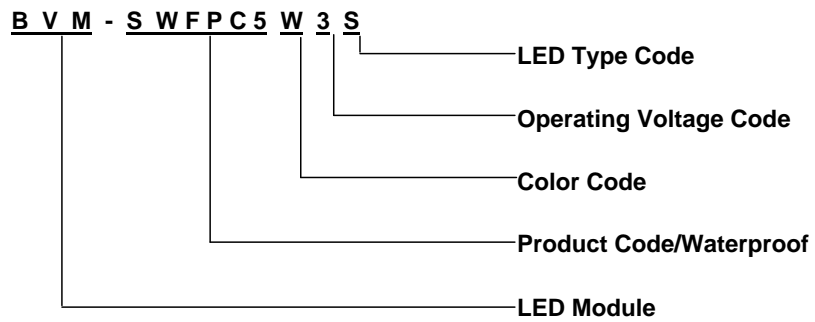
## BVM-SWFPC5 SERIES

### ■ PRODUCT DIMENSIONS

Unit : mm  
Tolerance : ±0.5mm



### ■ PART NUMBERING SYSTEM





■ ABSOLUTE MAXIMUM RATINGS AT Ta = 25 °C

PARAMETER	BVM-SWFPC5	UNIT
Operating Voltage (max.)	25	V
Power Dissipation / Strip	5.5	W
Operating Temperature Range	- 20 ~ +50	°C
Storage Temperature Range	-30~ +85	°C

■ TYPICAL ELECTRICAL / OPTICAL CHARACTERISTICS AT 24VDC Ta = 25 °C

Part No.	Color	View Angle (degree)	Current per Unit (mA)	Current per strip (A)	Lum.Flux per Unit (lx)	Lum.Flux per strip (lx)
BVM-SWFPC5W3S	White	110	11	0.187	23	390

\* White products are provided with different color temperature bins. (see following paragraph)

**Note**

1. Luminous flux measurement tolerance : +/- 15%
2. View angle of the LED is the off-axis angle from the optical center line to the 1/2 luminous intensity of the peak value.

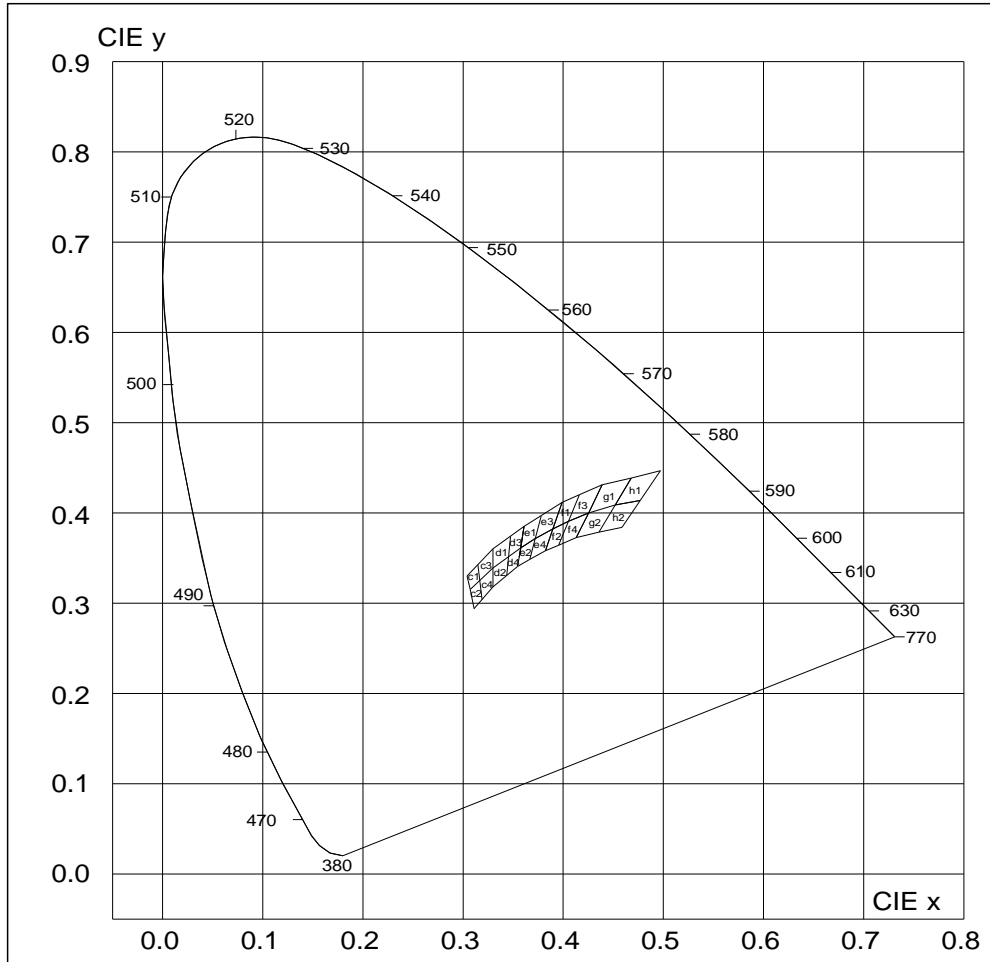


■ BIN GRADE LIMITS CHROMATICITY COORDINATES

Bin Code	Color Temperature Rank (Kelvin)	Chromaticity Coordinates				
c1	6300~7000	x	0.307	0.304	0.315	0.3165
		y	0.315	0.33	0.342	0.325
c2		x	0.311	0.307	0.317	0.3188
		y	0.294	0.315	0.325	0.3038
c3	5500~6300	x	0.3165	0.3147	0.33	0.33
		y	0.325	0.3423	0.36	0.339
c4		x	0.3188	0.3165	0.33	0.33
		y	0.3038	0.325	0.339	0.318
d1	5000~5500	x	0.33	0.33	0.347	0.3453
		y	0.339	0.36	0.374	0.3514
d2		x	0.33	0.33	0.345	0.3436
		y	0.318	0.339	0.351	0.3307
d3	4500~5000	x	0.3453	0.3473	0.361	0.3575
		y	0.3514	0.3739	0.385	0.3612
d4		x	0.3436	0.3453	0.358	0.3545
		y	0.3307	0.3514	0.361	0.3408
f3	3200~3500	x	0.4053	0.4162	0.439	0.4255
		y	0.3907	0.42	0.431	0.4
f4		x	0.3954	0.4053	0.426	0.4129
		y	0.3642	0.3907	0.4	0.3725
g1	2800~3200	x	0.4255	0.439	0.468	0.4519
		y	0.4	0.431	0.439	0.4086
g2		x	0.4129	0.4255	0.452	0.4355
		y	0.3725	0.4	0.409	0.3785
h1	2500~2800	x	0.4519	0.468	0.497	0.477
		y	0.4086	0.4385	0.447	0.4137
h2		x	0.4355	0.4519	0.477	0.4588
		y	0.3785	0.4086	0.414	0.3838



■ CHROMATICITY DIAGRAM CIE 1931



\*The chromaticity coordinates (x,y) of the SMD LEDs are in accordance with CIE 1931 chromaticity diagram.

\*The color temperature values used are based on the traditional incandescence lighting standard which cannot be exact applicable to LED lighting. It must be used only for reference purpose.

\*Measurement uncertainty of color coordinates:  $\pm 0.02$

Note: The products of different CIE bins may use different materials and thus may have minor difference in characteristics and business terms.

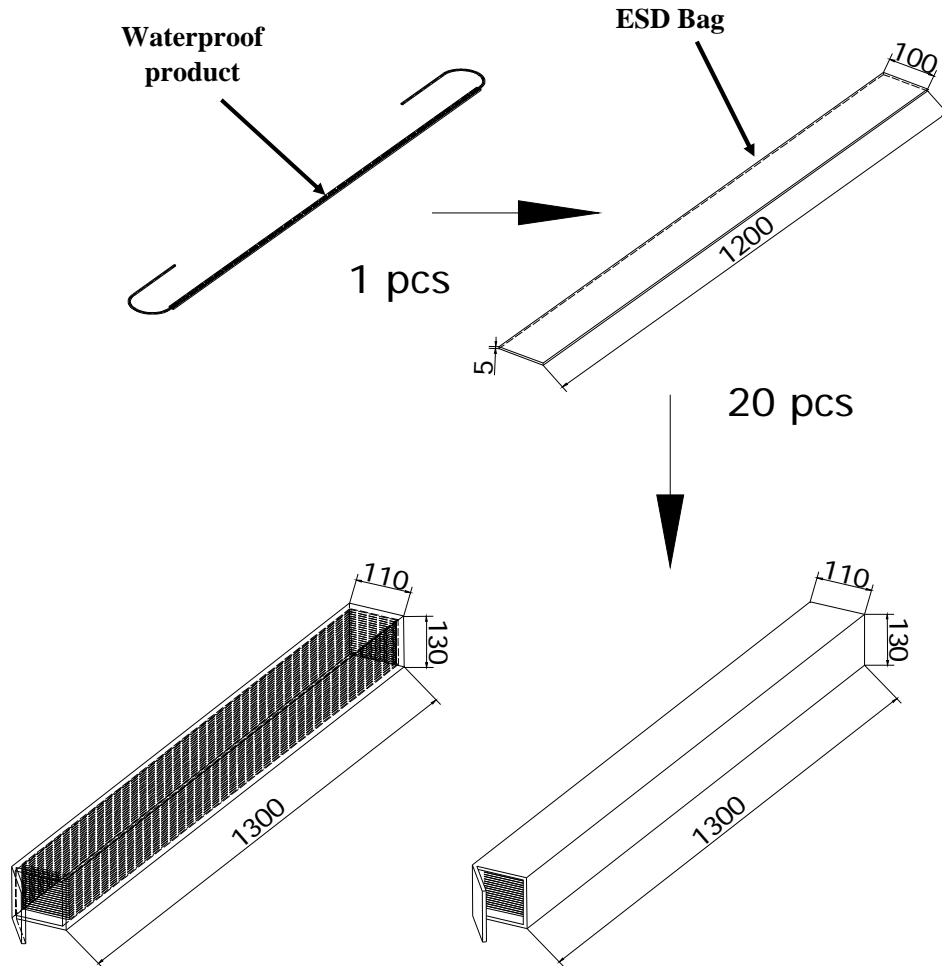


Bright View Electronics

WATERPROOF FLEXSTRIP LIGHT

BVM-SWFPC5 SERIES

■ PACKING



Carton Dimensions (mm):  
L x W x H = 1300 x 110 x 130



■ CAUTIONS

1. Over voltage

- A. Drive the product over the specified current/voltage rating per unit or per strip will damage the product.
- B. The product should not be used in reverse polarity.
- C. It is recommended to use a power supply with overload (over-voltage, short circuit and overheat) protection.

2. Hand soldering

- A. It is recommended to use a tip temperature of 280<sup>o</sup>C for less than 3 seconds (one times) with a soldering iron capacity of 30W, if hand soldering of the connecting wire is required.
- B. Be careful of the contaminations of hand soldering.

3. Storage & Handling

- A. Open the anti-electrostatic bag only a short time before use.
- B. The product is IP 65 dust and moisture resistance certified. However, cutting, drilling, marking, and/or excess stress will damage the hermetic sealing and lost its waterproof capability.
- C. During installation, excess mechanical stress will damage the product. The minimum bending radius of curvature is 150mm (outwards, with LED on outer side).  
The maximum twist angle is 15 degree.