

# GPTP2190

## PHASE CONTROLLED SCR

High reliability operation  
DC power supply  
AC drives

<b>VOLTAGE UP TO</b>	<b>1800 V</b>
<b>AVERAGE CURRENT</b>	<b>1900 A</b>
<b>SURGE CURRENT</b>	<b>31 kA</b>

### BLOCKING CHARACTERISTICS

Characteristic	Conditions	Value
VRRM	Repetitive peak reverse voltage	1800 V
VRSM	Non-repetitive peak reverse voltage	1900 V
VDRM	Repetitive peak off-state voltage	1800 V
IDRM	Repetitive peak off-state current, max.	VDRM, single phase, half wave, T <sub>j</sub> = T <sub>jmax</sub>
IRRM	Repetitive peak reverse current, max.	VRRM, single phase, half wave, T <sub>j</sub> = T <sub>jmax</sub>

### ON-STATE CHARACTERISTICS

I <sub>T(AV)</sub>	Average on-state current	Sine wave, 180° conduction, Th = 55 °C	1900 A
I <sub>T(RMS)</sub>	R.M.S. on-state current	Sine wave, 180° conduction, Th = 55 °C	2984 A
I <sub>TSM</sub>	Surge on-state current	Non rep. half sine wave, 50 Hz, V <sub>R</sub> = 0 V, T <sub>j</sub> = T <sub>jmax</sub>	31 kA
I <sup>2</sup> t	I <sup>2</sup> t for fusing coordination		4805 kA <sup>2</sup> s
V <sub>T(TO)</sub>	Threshold voltage	T <sub>j</sub> = T <sub>jmax</sub>	0,90 V
r <sub>T</sub>	On-state slope resistance	T <sub>j</sub> = T <sub>jmax</sub>	0,177 mΩ
V <sub>TM</sub>	Peak on-state voltage, max	On-state current I <sub>T</sub> = 2000 A , T <sub>j</sub> = 25 °C	1,32 V
I <sub>H</sub>	Holding current, max	T <sub>j</sub> = 25 °C	300 mA
I <sub>L</sub>	Latching current, typ	T <sub>j</sub> = 25 °C	700 mA

### TRIGGERING CHARACTERISTICS

V <sub>GT</sub>	Gate trigger voltage	T <sub>j</sub> = 25 °C, V <sub>D</sub> = 5 V	2,5 V
I <sub>GT</sub>	Gate trigger current	T <sub>j</sub> = 25 °C, V <sub>D</sub> = 5 V	300 mA
V <sub>GD</sub>	Non-trigger voltage	V <sub>D</sub> = 67% VRRM, T <sub>j</sub> = T <sub>jmax</sub>	0,25 V
P <sub>GM</sub>	Peak gate power dissipation	Pulse width 100 μs	150 W
P <sub>G(AV)</sub>	Average gate power dissipation		2 W
I <sub>FGM</sub>	Peak gate current		10 A
V <sub>FGM</sub>	Peak gate voltage (forward)		10 V
V <sub>RGM</sub>	Peak gate voltage (reverse)		12 V

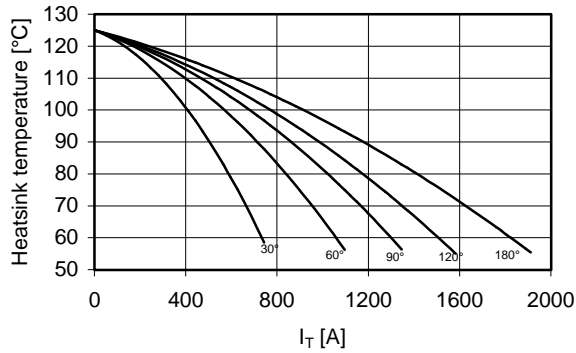
### SWITCHING CHARACTERISTICS

di/dt	Critical rate of rise of on-state current	T <sub>j</sub> = T <sub>jmax</sub>	200 A/μs
dV/dt	Critical rate of rise of off-state voltage	T <sub>j</sub> = T <sub>jmax</sub>	1000 V/μs
t <sub>q</sub>	Turn-off time, typ	T <sub>j</sub> = T <sub>jmax</sub> , I <sub>T</sub> = 1000 A, di/dt = -20 A/μs V <sub>R</sub> = 50 V, V <sub>D</sub> = 67% VDRM, dV/dt = 20 V/μs	μs

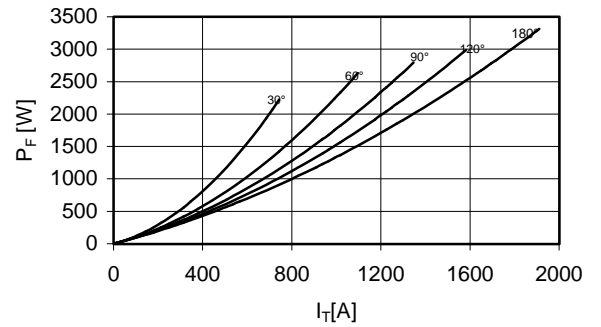
### THERMAL AND MECHANICAL CHARACTERISTICS

R <sub>th(j-c)</sub>	Thermal resistance (junction to case)	Double side cooled	0,015 °C/W
R <sub>th(c-h)</sub>	Thermal resistance (case to heatsink)	Double side cooled	0,006 °C/W
T <sub>jmax</sub>	Max operating junction temperature		125 °C
T <sub>stg</sub>	Storage temperature		-40 / 125 °C
F	Clamping force ± 5%		23 kN
	Mass		500 g

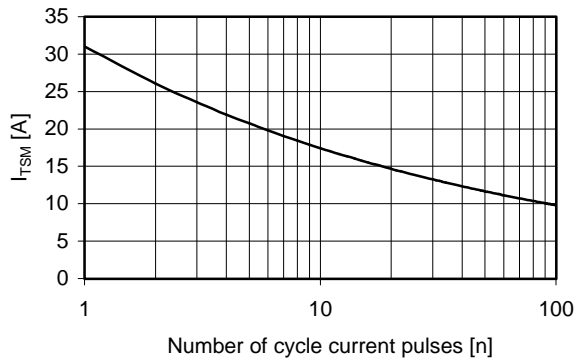
Current rating - sine wave



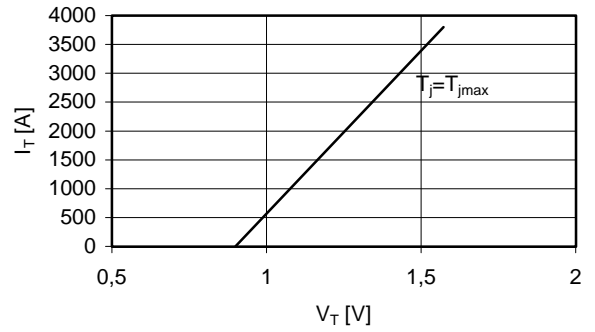
Power loss - sine wave



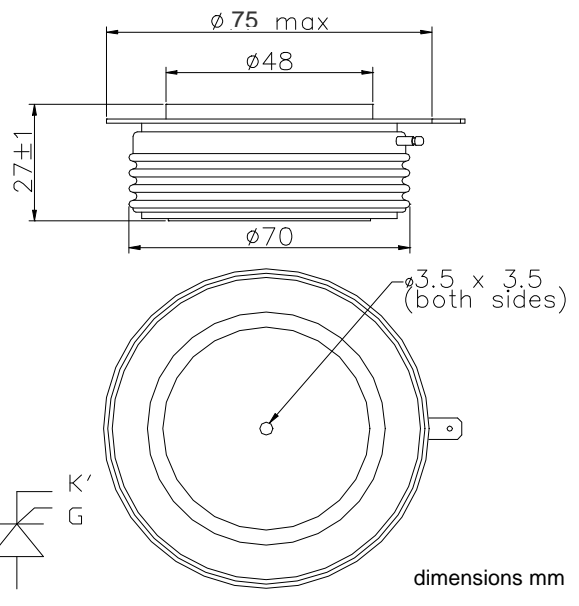
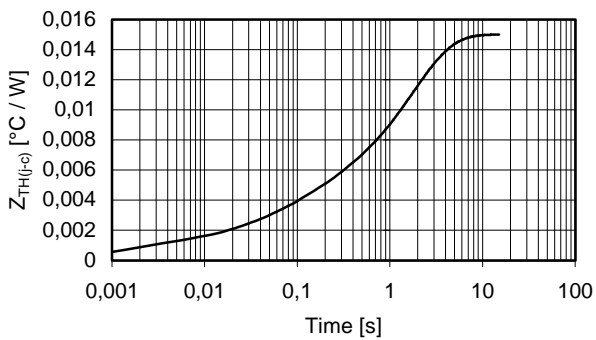
Maximum surge current d.s. cooled



On-state voltage drop



Thermal impedance (j-c)



In the interest of product improvement Green Power Solutions reserves the right to change any specification given in this data sheet without notice.