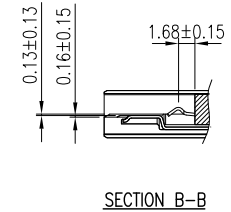
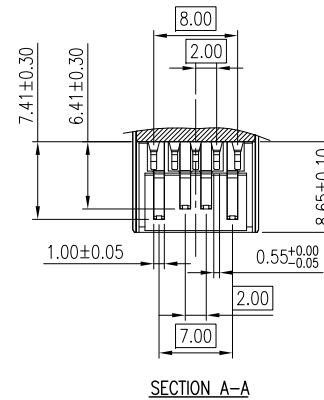
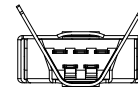
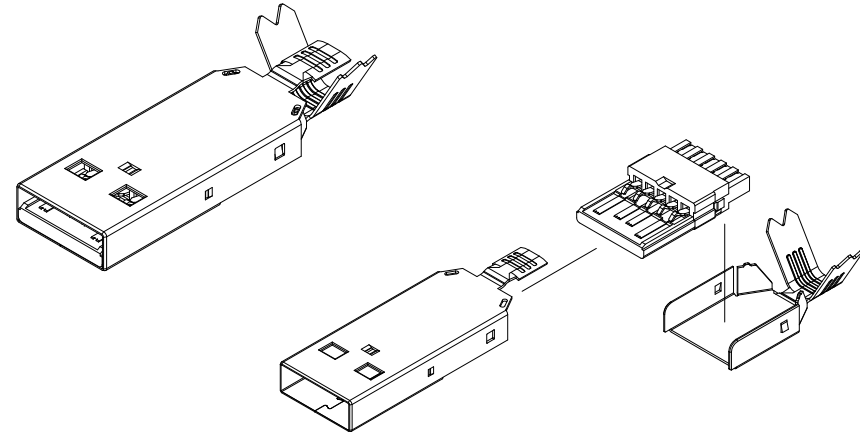
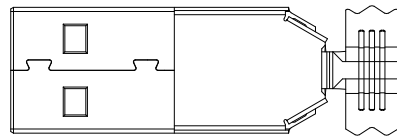
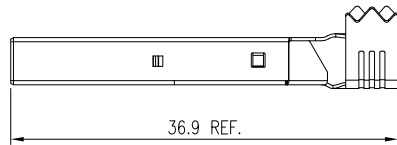
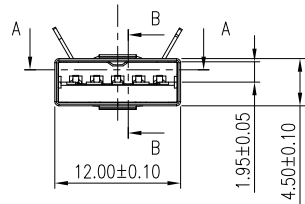
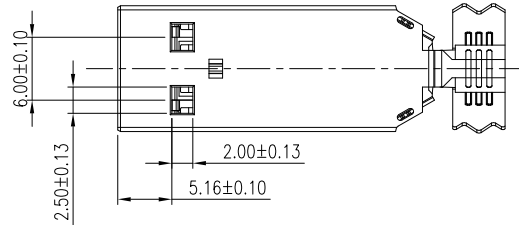


This document is the property of Amphenol Corporation and is delivered on the express condition that is not to be disclosed, reproduced or used, in whole or in part, for manufacture or sale by anyone other than Amphenol Corporation without its prior consent, and that no right is granted to disclose or to use any information in this document.

The marking on this product doesn't contain environmental hazardous material and must follow one or more specifications per Material Specification SS-00259 for Sony GP compliant or per directive 2002/95/EC for RoHS compliant or per IEC 61249-2-21 for Halogen Free compliant.

**PRELIMINARY RELEASE  
SUBJECT TO CHANGE**

REVISIONS				
SYM	ECN No.	DESCRIPTION	DATE	BY
AX1		UNAPPROVED REVISION	11/24/2009	Sondra Sang
AX2		MODIFIED TOOLING	01/26/2010	Sondra Sang



**NOTES:**

- HOUSING: HIGH TEMPERATURE THERMOPLASTIC, UL 94V-0, COLOR- BLUE
- USB3 TERMINAL: PHOSPHOR BRONZE, 0.25mm THICKNESS, 30μ" MIN. GOLD PLATED ON CONTACT AREA, 100μ" MIN. MATTE TIN ON SOLDERING TAIL, 50μ" MIN. NICKEL UNDER-PLATED OVERALL
- USB2 TERMINAL: BRASS, 0.25mm THICKNESS, 30μ" MIN. GOLD PLATED ON CONTACT AREA, 100μ" MIN. MATTE TIN ON SOLDERING TAIL, 50μ" MIN. NICKEL UNDER-PLATED OVERALL
- METAL SHELL: STAINLESS STEEL, 0.3mm THICKNESS
- THIS PRODUCT DOESN'T CONTAIN ENVIRONMENTAL HAZARDOUS MATERIALS PER DIRECTIVE 2002/95/EC FOR RoHS AND PER IEC 61249-2-21 FOR HALOGEN FREE COMPLIANT.

TOLERANCE	APPROVALS	DATE	TITLE	UNIT	SCALE	SIZE	PART No.
X. ±0.30	<b>DRAWN</b> Sondra Sang	01/26/2010	USB 3.0 CONNECTOR STANDARD A, PLUG CABLE TYPE, OVERMOLD	mm	NA	A3	GSB3 171 31 HR
X.X ±0.20	<b>CHECKED</b> Chenny Yeh	01/26/2010					
X.XX ±0.20	<b>APPROVED</b> Hank Hsu	01/26/2010		NA	1 OF 1	GSB317131HR	
X.XXX ±0.10	<b>DWG TYPE</b> CUST DWG	<b>PROJECT CODE</b> OTHER					
ANGULAR ±1°							
UNLESS OTHERWISE SPECIFIED							REV. AX2

**Amphenol**®

Amphenol Corporation  
Amphenol Taiwan Corporation