

Narrow Band Phase Shifter

JSPHS-150+ JSPHS-150

50Ω 180° Voltage Variable 100 to 150 MHz



Maximum Ratings

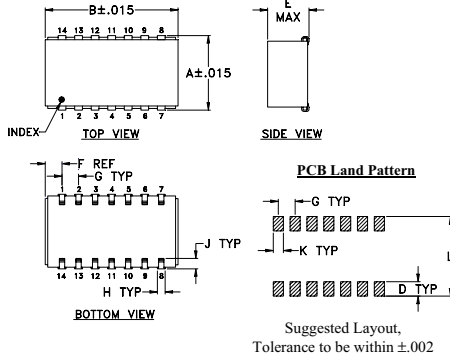
Operating Temperature	-40°C to 85°C
Storage Temperature	-55°C to 100°C
RF Input Power	20 dBm max.
Control Voltage	20V

Pin Connections

IN	14
OUT	8
BIAS	1,7^A
GROUND	2,3,4,5,6,9,10,11,12,13

^A pins must be connected together externally

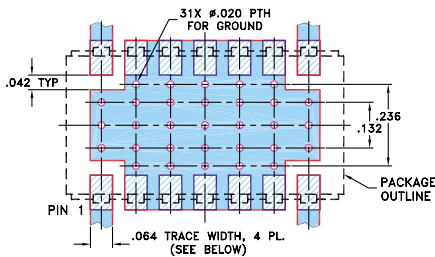
Outline Drawing



Outline Dimensions (inch/mm)

A	B	C	D	E	F	G
.450	.803	--	.100	.250	.102	.100
11.43	20.40	--	2.54	6.35	2.59	2.54
H	J	K	L		wt	
.047	.065	.065	.470		grams	
1.19	1.65	1.65	11.94		3.0	

Demo Board MCL P/N: TB-152+ Suggested PCB Layout (PL-214)



- NOTE: 1. TRACE WIDTH IS SHOWN FOR ROGERS RO4350B WITH DIELECTRIC THICKNESS .030" ± .002"; COPPER: 1/2 OZ. EACH SIDE. FOR OTHER MATERIALS TRACE WIDTH MAY NEED TO BE MODIFIED.
2. BOTTOM SIDE OF THE PCB IS CONTINUOUS GROUND PLANE.
- DENOTES PCB COPPER LAYOUT WITH SMOBC (SOLDER MASK OVER BARE COPPER)
 - DENOTES COPPER LAND PATTERN FREE OF SOLDER MASK

Features

- low insertion loss, 1.0 dB typ.
- good VSWR, 1.3 typ.
- solder-plated J-leads for excellent solderability and strain relief
- aqueous washable

Applications

- aircraft communication
- delay for feed-forward amplifier

CASE STYLE: BK276
PRICE: \$31.95 ea. QTY (1-9)

+ RoHS compliant in accordance with EU Directive (2002/95/EC)

The +Suffix identifies RoHS Compliance. See our web site for RoHS Compliance methodologies and qualifications.

Phase Shifter Electrical Specifications

FREQUENCY (MHz)	PHASE RANGE (Degrees)	INSERTION LOSS (dB)		CONTROL VOLTAGE (V)	CONTROL BANDWIDTH (kHz)	VSWR (:1)	
		Typ.	Max.			Typ.	Max.
100-150	180	1.2	2.5	0-12	DC-30	1.2	1.7

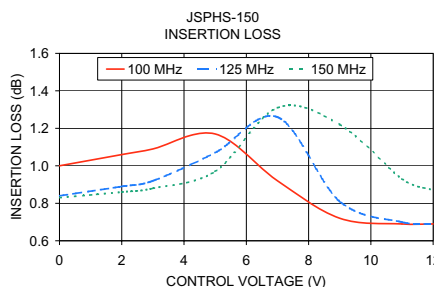
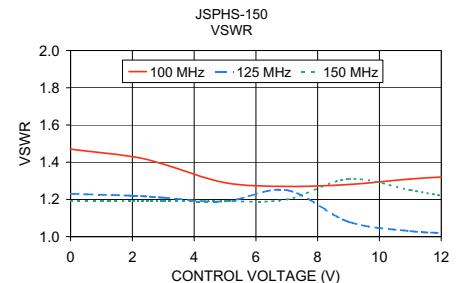
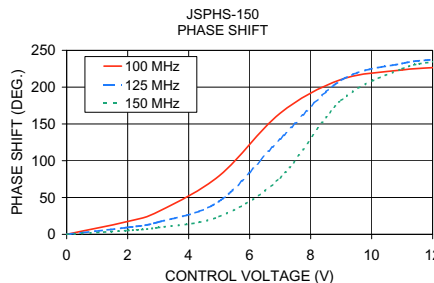
Maximum operating power, 0 dBm

DC input resistance at Control port: 5900 ohms typ.

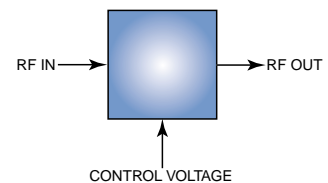
Typical Performance Data

Control Voltage (V)	Phase Shift* (Degrees)			VSWR (:1)			Insertion Loss (dB)		
	100 MHz	125 MHz	150 MHz	100 MHz	125 MHz	150 MHz	100 MHz	125 MHz	150 MHz
0.00	0.00	0.00	0.00	1.47	1.23	1.19	1.00	0.84	0.83
2.00	17.45	9.44	5.29	1.43	1.22	1.19	1.06	0.89	0.86
3.00	30.77	16.64	9.21	1.39	1.21	1.19	1.09	0.92	0.88
5.00	79.43	44.98	24.15	1.29	1.19	1.19	1.17	1.07	0.97
7.00	164.59	129.35	76.74	1.27	1.25	1.20	0.92	1.26	1.31
9.00	210.43	209.45	181.98	1.28	1.08	1.31	0.72	0.81	1.22
11.00	223.27	232.18	225.01	1.31	1.03	1.25	0.69	0.70	0.93
12.00	226.44	237.51	234.67	1.32	1.02	1.22	0.69	0.69	0.87

* Normalized at control voltage = 0V



electrical schematic



Mini-Circuits
ISO 9001 ISO 14001 CERTIFIED

ALL NEW
minicircuits.com

P.O. Box 350166, Brooklyn, New York 11235-0003 (718) 934-4500 Fax (718) 332-4661 For detailed performance specs & shopping online see Mini-Circuits web site



The Design Engineers Search Engine Provides ACTUAL Data Instantly From MINI-CIRCUITS At: www.minicircuits.com

RF/IF MICROWAVE COMPONENTS

REV. A
M112354
JSPHS-150
HY/TD/CP/AM
080415