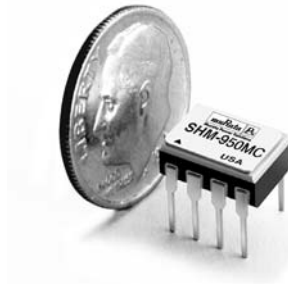


## ADVANCED PRODUCT DATA

### FEATURES

- 18 bit accuracy
- Small 8-pin DIP package
- 800ns max. acquisition time to ±0.001%
- 200ns max. sample-to-hold settling time to ±0.001%
- 16MHz small signal bandwidth
- 90dB feedthrough attenuation
- ±25 picoseconds aperture uncertainty
- 415mW maximum power dissipation



### GENERAL DESCRIPTION

Murata Power Solution's SHM-950 is a high-speed, highly accurate sample/hold designed for precision, high-speed analog signal processing applications. The SHM-950 features excellent dynamic specifications including a maximum acquisition time of only 800 nanoseconds for a 10V step to ±0.001%.

Sample-to-hold settling time, to ±0.001% accuracy, is 200 nanoseconds maximum with an aperture uncertainty of ±25 picoseconds.

The SHM-950 is a complete sample/hold circuit, containing a precision MOS hold capacitor and a MOSFET switching configuration which results in faster switching and better feedthrough attenuation. Additionally, a FET input amplifier design allows faster acquisition and settling times while maintaining a considerably lower droop rate.

### INPUT/OUTPUT CONNECTIONS

Pin	Function
1	+5v Digital Supply
2	S/H Control
3	Analog Input
4	Analog Return
5	-15v Supply
6	Analog Output
7	+15v Analog Supply
8	Power Ground

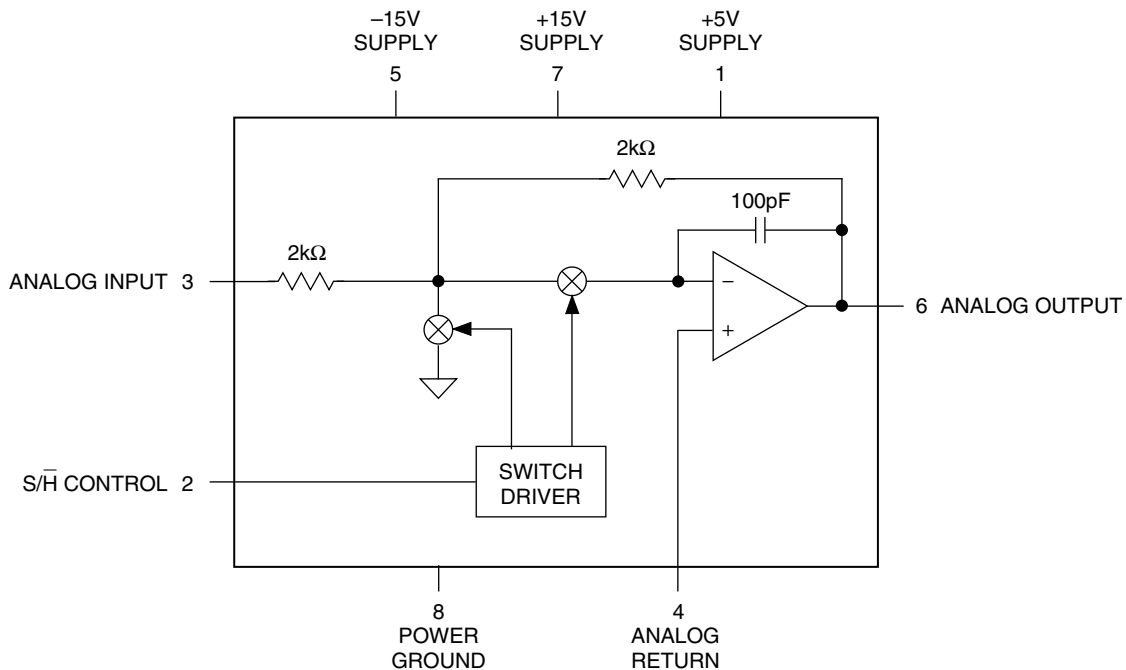


Figure 1. Functional Block Diagram

**Absolute Maximum Ratings**

±15V Supply Voltages	±18V
+5V Supply Voltages	-0.5V to +7V
Analog Input	±18V
Digital Input	-0.5V to +5.5V
Output Current	±65 mA

**Functional Specifications**

(Apply over the operating temperature range with ±15V and +5V supplies unless otherwise specified.)

ANALOG INPUT/OUTPUT	MIN.	TYP.	MAX.	UNITS
<b>Input/Output Voltage Range</b>				
±15V Nominal Supply	±10	±11.5	—	Volts
±12V Nominal Supply	±7	±8.5	—	Volts
<b>Input Impedance</b>	1.75	2	—	kΩ
<b>Output Current</b>	—	—	±40	mA
<b>Output Impedance</b>	—	0.1	—	Ω
<b>Capacitive Load</b>	100	250	—	pF

DIGITAL INPUT				
<b>Input Logic Levels</b>				
Logic 1	+2.0	—	+5.0	Volts
Logic 0	0	—	+0.8	Volts
<b>Loading</b>				
Logic 1	—	—	+5	μA
Logic 0	—	—	-5	μA

TRANSFER CHARACTERISTICS				
<b>Gain</b>	—	-1	—	V/V
<b>Gain Error, +25°C</b>	—	±0.05	±0.5	%
<b>Linearity Error ①</b>	—	±0.001	±0.005	%FS
<b>Sample Mode Offset, +25°C</b>	—	±2	±7	mV
<b>Sample-to-Hold Offset (Pedestal), +25°C ②</b>	—	±2.5	±25	mV
<b>Gain Drift</b>	—	±0.5	±15	ppm/°C
<b>Sample Mode Offset Drift ①</b>	—	±3	±15	ppm/°C
<b>Sample-to-Hold Off. (Pedestal) Drift</b>	—	±5	±20	ppm of FSR/°C

DYNAMIC CHARACTERISTICS				
<b>Acquisition Time</b>				
10V to ±0.001%FS (±1 mV)				
+25°C	—	160	200	ns
-55 to +125°C	—	—	265	ns
10V to ±0.1%FS (±10 mV)				
+25°C	—	100	150	ns
-55 to +125°C	—	—	215	ns
10V to ±1%FS (±100 mV)	—	200	—	ns
1V to ±1%FS (±10 mV)	—	205	—	ns
<b>Sample-to-Hold Settling Time</b>				
10V to ±0.01%FS (±1 mV)	—	100	100	ns
1V to ±1%FS (±10 mV)	—	100	80	ns
<b>Sample-to-Hold Transient</b>	—	100	—	mVp-p
<b>Aperture Delay Time</b>	—	10	15	ns
<b>Aperture Uncertainty (Jitter)</b>	—	±25	±50	ps
<b>Output Slew Rate</b>	±40	60	—	V/μs
<b>Output Droop</b>				
+25°C	—	±0.5	±15	μV/μs
0 to +70°C	—	±15	±30	μV/μs
-55 to +125°C	—	±1.2	±2.4	mV/μs
<b>Feedthrough Rejection</b>	—	-84	-78	dB

POWER REQUIREMENTS	MIN.	TYP.	MAX.	UNITS
<b>Voltage Range</b>				
+15V Supply	+11.5	+15.0	+15.5	Volts
-15V Supply	-11.5	-15.0	-15.5	Volts
+5V Supply	+4.75	+5.0	+5.25	Volts
<b>Power Supply Rejection Ratio</b>	—	±0.5	±1	mV/V
<b>Quiescent Current Drain</b>				
+15V Analog Supply	—	+8	+13.5	mA
-15V Supply	—	-8	-13.5	mA
+5V Supply	—	+1	-1.5	Volts
<b>Power Consumption</b>	—	365	415	mW

PHYSICAL/ENVIRONMENTAL	
<b>Operating Temp. Range, Case</b>	
SHM-950MC	0 to +70°C
SHM-950MM	-55 to +125°C
<b>Storage Temperature Range</b>	-65 to +150°C
<b>Thermal Impedance</b>	
θjc	15°C/W
θca	35°C/W
<b>Package Type</b>	8-pin ceramic DIP

**Footnotes:**

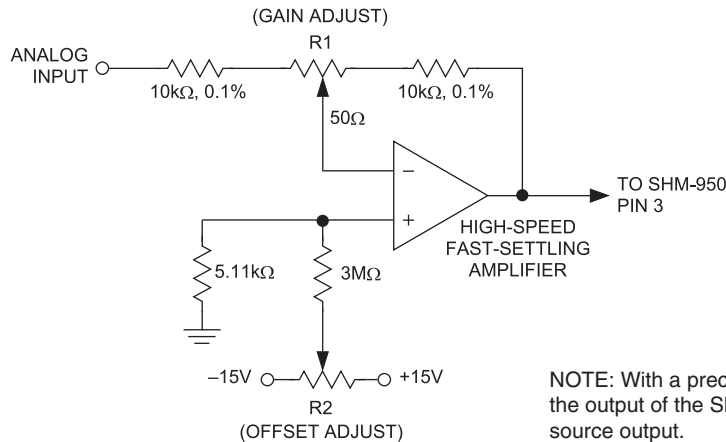
- ① Full Scale (FS) = 10V. Full Scale Range (FSR) = 20V.
- ② Sample-to-hold offset error (pedestal) is constant regardless of input/output level.

**Ordering Information**

MODEL	OPERATING TEMP. RANGE
<b>SHM-950MC</b>	0 to +70°C
<b>SHM-950MM</b>	-55 to +125°C
For availability of high-reliability versions of the SHM-950, contact Murata Power Solutions.	

**Technical Notes**

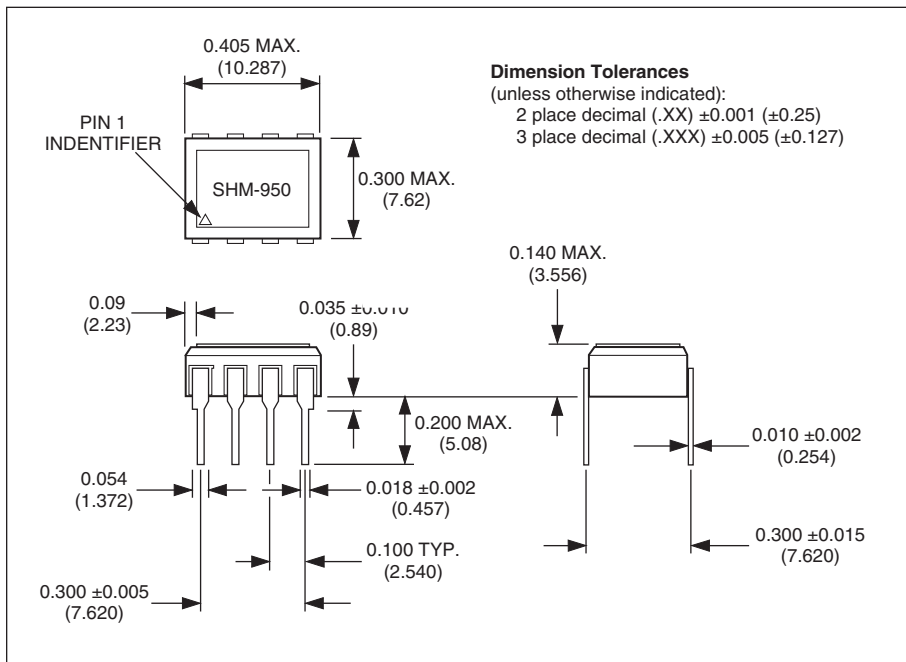
- All ground pins should be tied together and connected to system analog ground as close to the package as possible. It is recommended to use a ground plane under the device and solder ground pins directly to it. Take care to ensure that no ground potentials can exist between ground pins.
- External 0.1μF to 4.7μF tantalum bypass capacitors are required in critical applications.
- A logic 1 on S/H puts the unit in the sample mode. A logic 0 puts the unit in hold mode.
- The maximum capacitive load to avoid oscillation is typically 250pF. Recommended resistive load is 500Ω, although values as low as 250Ω may be used. Acquisition and sample-to-hold settling times are relatively unaffected by resistive loads down to 250Ω and capacitive loads up to 50pF. Greater load capacitances will affect both acquisition and settling time.
- Gain and offset adjusting can be accomplished using the external circuitry shown in Figure 2. Adjust offset with a 0V input. Adjust gain with a ±FS input. Adjust so that the output in the hold mode matches the input.



NOTE: With a precision source, adjust R1 and R2 so that the output of the SHM-950 in the hold mode matches the source output.

Figure 2. Offset and Gain Adjustments

**MECHANICAL DIMENSIONS** Inches (mm)



**ISO 9001**  
REGISTERED

Murata Power Solutions, Inc.  
11 Cabot Boulevard, Mansfield, MA 02048-1151 U.S.A.  
Tel: (508) 339-3000 (800) 233-2765 Fax: (508) 339-6356  
[www.murata-ps.com](http://www.murata-ps.com) email: [sales@murata-ps.com](mailto:sales@murata-ps.com)  
ISO 9001 REGISTERED

3/13/08

Murata Power Solutions, Inc. makes no representation that the use of its products in the circuits described herein, or the use of other technical information contained herein, will not infringe upon existing or future patent rights. The descriptions contained herein do not imply the granting of licenses to make, use, or sell equipment constructed in accordance therewith. Specifications are subject to change without notice.  
© 2008 Murata Power Solutions, Inc.

- USA:** Tucson (AZ), Tel: (800) 547 2537, email: [sales@murata-ps.com](mailto:sales@murata-ps.com)
- Canada:** Toronto, Tel: (866) 740 1232, email: [toronto@murata-ps.com](mailto:toronto@murata-ps.com)
- UK:** Milton Keynes, Tel: +44 (0)1908 615232, email: [mk@murata-ps.com](mailto:mk@murata-ps.com)
- France:** Montigny Le Bretonneux, Tel: +33 (0)1 34 60 01 01, email: [france@murata-ps.com](mailto:france@murata-ps.com)
- Germany:** München, Tel: +49 (0)89-544334-0, email: [ped.munich@murata-ps.com](mailto:ped.munich@murata-ps.com)
- Japan:** Tokyo, Tel: 3-3779-1031, email: [sales\\_tokyo@murata-ps.com](mailto:sales_tokyo@murata-ps.com)  
Osaka, Tel: 6-6354-2025, email: [sales\\_osaka@murata-ps.com](mailto:sales_osaka@murata-ps.com)  
**Website:** [www.murata-ps.jp](http://www.murata-ps.jp)
- China:** Shanghai, Tel: +86 215 027 3678, email: [shanghai@murata-ps.com](mailto:shanghai@murata-ps.com)  
Guangzhou, Tel: +86 208 221 8066, email: [guangzhou@murata-ps.com](mailto:guangzhou@murata-ps.com)