

PLEASE CHECK WWW.MOLEX.COM FOR LATEST PART INFORMATION

Part Number: [0395380008](#)
Status: **Active**
Description: 5.08mm (.200") Pitch Eurostyle™ Horizontal Dual Level PCB Header, Open Ends, 8 Circuits

Documents:

[3D Model](#)
[Drawing \(PDF\)](#)

[RoHS Certificate of Compliance \(PDF\)](#)

General

| | |
|-----------------------------|---------------------------|
| Product Family | Terminal Blocks |
| Series | 39538 |
| Application | Wire-to-Board |
| Component Type | PCB Header |
| Product Literature Order No | USA-355 |
| Product Name | ESE, Eurostyle™ Pluggable |
| Type | Euro Block |

Physical

| | |
|--------------------------------|-----------------|
| Circuits (Loaded) | 8 |
| Entry Angle | N/A |
| Lock to Mating Part | Yes |
| Number of Rows | 2 |
| Orientation | Horizontal |
| PC Tail Length (in) | 0.138 In |
| PC Tail Length (mm) | 3.50 mm |
| PCB Thickness Recommended (in) | 0.120 In |
| PCB Thickness Recommended (mm) | 3.00 mm |
| Panel Mount | No |
| Pitch - Mating Interface (in) | 0.200 In |
| Pitch - Mating Interface (mm) | 5.08 mm |
| Polarized to Mating Part | Yes |
| Shrouded | Open Ends |
| Stackable | Yes |
| Surface Mount Compatible (SMC) | N/A |
| Temperature Range - Operating | -40°C to +105°C |
| Wire Size AWG | N/A |

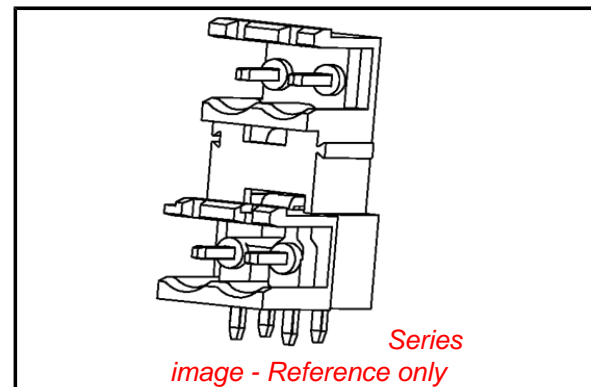
Electrical

| | |
|-------------------------------|------|
| Current - Maximum per Contact | 15A |
| Voltage - Maximum | 300V |

Material Info

Reference - Drawing Numbers

| | |
|---------------|--------------|
| Sales Drawing | SD-39538-001 |
|---------------|--------------|



EU RoHS

ELV and RoHS Compliant
REACH SVHC
 Not Reviewed
Halogen-Free Status

China RoHS



Not Reviewed

Need more information on product environmental compliance?

Email productcompliance@molex.com
 For a multiple part number RoHS Certificate of Compliance, [click here](#)

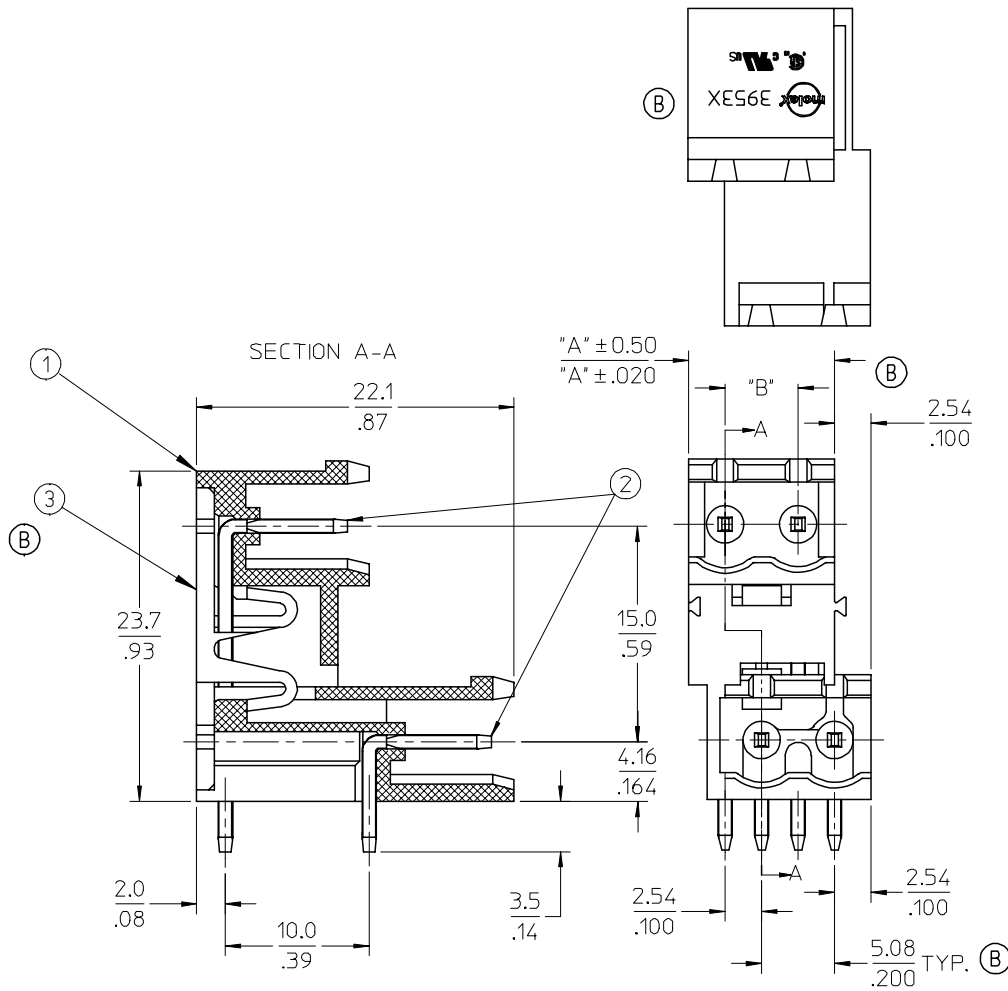
Please visit the [Contact Us](#) section for any non-product compliance questions.

Search Parts in this Series

[39538Series](#)

Mates With

[39530](#) Horizontal Plug, [39533](#) Vertical Plug, Most 5.08mm (.200") Pitch Industry Standard Plugs



(B) SPECIFICATIONS:

1. MATERIAL:
 - (1) BODY: PA66 (UL 94V-0).
 - (2) PIN: BRASS.
 - (3) COVER: PBT (UL 94V-0).
2. ELECTRICAL RATING: 300V, 15A.
3. DIELECTRIC WITHSTAND: AC 2500V FOR 1 MINUTE.
4. BREAKDOWN VOLTAGE: 4000V.
5. INSULATION RESISTANCE: DC 1000V, 1000 MEGOHMS.
6. OPERATING TEMPERATURE: -40°C TO +105°C.
7. NUMBER OF CIRCUIT POSITIONS AVAILABLE= 4 THROUGH 48, EVEN NUMBERED CIRCUIT SIZES ONLY.
8. ALL COMPONENTS ARE ROHS COMPLIANT.

| | | | | | | | | |
|---|------------------|--------------------------|---|-----------------|--------------|--------------|--|---|
| REVISED/VOID # EC NO: ETC2007-0020 DRWN: CYORK 2006/07/25 CHKD: JPWLCKI 2006/07/25 APPR: JPWLCKI 2006/07/26 | DESCRIPTION B | QUALITY SYMBOLS | GENERAL TOLERANCES (UNLESS SPECIFIED) | DIMENSION STYLE | SCALE | DESIGN UNITS | THIRD ANGLE PROJECTION | |
| | | $\nabla=0$ $\nabla=0$ | mm INCH 4 PLACES ± --- ± --- 3 PLACES ± --- ± .005 2 PLACES ± 0.13 ± .01 1 PLACE ± 0.3 ± --- ANGULAR ± 2 ° | MM/IN | 3:1 | INCH | DRAWN BY DATE L. ROTHHAUS 2005/12/06 CHECKED BY DATE C. YORK 2006/01/06 APPROVED BY DATE J. PAWLICKI 2006/01/10 | TITLE 5.08MM, EURO DUAL HEADER HORIZONTAL, OPEN END, STACKABLE |
| | | | DRAFT WHERE APPLICABLE MUST REMAIN WITHIN DIMENSIONS | SEE SHEET 2 | MATERIAL NO. | DOCUMENT NO. | SHEET NO. | |
| | | | | | SD-39538-001 | 1 OF 2 | | |

F

E

D

C

B

A

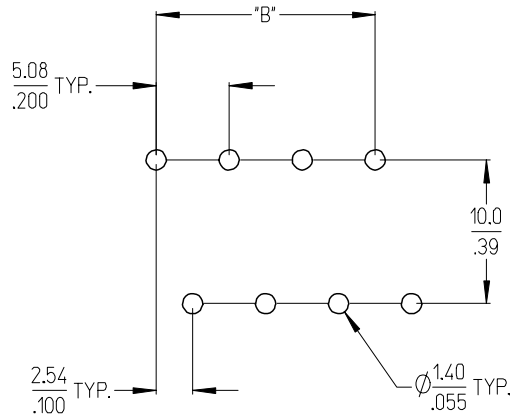
| Circuit size | Material Numbers | | | | Dimensional Information | | | |
|--------------|------------------|------------|-----------|------------|-------------------------|-------|--------|-------|
| | Black | | Green | | Dim. A | | Dim B | |
| | 100% Tin | 30 u" Gold | 100% Tin | 30 u" Gold | mm | inch | mm | inch |
| 4 | 395380004 | 395380504 | 395385004 | 395385504 | 10.16 | 0.400 | 5.08 | 0.200 |
| 6 | 395380006 | 395380506 | 395385006 | 395385506 | 15.24 | 0.600 | 10.16 | 0.400 |
| 8 | 395380008 | 395380508 | 395385008 | 395385508 | 20.32 | 0.800 | 15.24 | 0.600 |
| 10 | 395380010 | 395380510 | 395385010 | 395385510 | 25.40 | 1.000 | 20.32 | 0.800 |
| 12 | 395380012 | 395380512 | 395385012 | 395385512 | 30.48 | 1.200 | 25.40 | 1.000 |
| 14 | 395380014 | 395380514 | 395385014 | 395385514 | 35.56 | 1.400 | 30.48 | 1.200 |
| 16 | 395380016 | 395380516 | 395385016 | 395385516 | 40.64 | 1.600 | 35.56 | 1.400 |
| 18 | 395380018 | 395380518 | 395385018 | 395385518 | 45.72 | 1.800 | 40.64 | 1.600 |
| 20 | 395380020 | 395380520 | 395385020 | 395385520 | 50.80 | 2.000 | 45.72 | 1.800 |
| 22 | 395380022 | 395380522 | 395385022 | 395385522 | 55.88 | 2.200 | 50.80 | 2.000 |
| 24 | 395380024 | 395380524 | 395385024 | 395385524 | 60.96 | 2.400 | 55.88 | 2.200 |
| 26 | 395380026 | 395380526 | 395385026 | 395385526 | 66.04 | 2.600 | 60.96 | 2.400 |
| 28 | 395380028 | 395380528 | 395385028 | 395385528 | 71.12 | 2.800 | 66.04 | 2.600 |
| 30 | 395380030 | 395380530 | 395385030 | 395385530 | 76.20 | 3.000 | 71.12 | 2.800 |
| 32 | 395380032 | 395380532 | 395385032 | 395385532 | 81.28 | 3.200 | 76.20 | 3.000 |
| 34 | 395380034 | 395380534 | 395385034 | 395385534 | 86.36 | 3.400 | 81.28 | 3.200 |
| 36 | 395380036 | 395380536 | 395385036 | 395385536 | 91.44 | 3.600 | 86.36 | 3.400 |
| 38 | 395380038 | 395380538 | 395385038 | 395385538 | 96.52 | 3.800 | 91.44 | 3.600 |
| 40 | 395380040 | 395380540 | 395385040 | 395385540 | 101.60 | 4.000 | 96.52 | 3.800 |
| 42 | 395380042 | 395380542 | 395385042 | 395385542 | 106.68 | 4.200 | 101.60 | 4.000 |
| 44 | 395380044 | 395380544 | 395385044 | 395385544 | 111.76 | 4.400 | 106.68 | 4.200 |
| 46 | 395380046 | 395380546 | 395385046 | 395385546 | 116.84 | 4.600 | 111.76 | 4.400 |
| 48 | 395380048 | 395380548 | 395385048 | 395385548 | 121.92 | 4.800 | 116.84 | 4.600 |

ⓑ

ⓑ

ⓑ

ⓑ



ⓑ RECOMMENDED PCB LAYOUT

| SEE SHEET 1 EC NO: ETC2007-0020 DRWNG: YORK 2006/07/25 CHKD: JPWLCKI 2006/07/25 APPR: JPWLCKI 2006/07/26 | QUALITY SYMBOLS | GENERAL TOLERANCES (UNLESS SPECIFIED) | DIMENSION STYLE | SCALE | DESIGN UNITS | THIRD ANGLE PROJECTION | | | | | | | | | | |
|--|--|--|--|--------------|--|------------------------|----------------|--------|-----------------|-------|---------------|-------|-------|-----|------|---|
| | ▽=0 ▽=0 | <table border="1"> <tr><th>mm</th><th>INCH</th></tr> <tr><td>4 PLACES ± ---</td><td>± ---</td></tr> <tr><td>3 PLACES ± ---</td><td>± .005</td></tr> <tr><td>2 PLACES ± 0.13</td><td>± .01</td></tr> <tr><td>1 PLACE ± 0.3</td><td>± ---</td></tr> </table> ANGULAR ± 2 ° | mm | INCH | 4 PLACES ± --- | ± --- | 3 PLACES ± --- | ± .005 | 2 PLACES ± 0.13 | ± .01 | 1 PLACE ± 0.3 | ± --- | MM/IN | 3:1 | INCH | ☉ |
| | mm | INCH | | | | | | | | | | | | | | |
| | 4 PLACES ± --- | ± --- | | | | | | | | | | | | | | |
| 3 PLACES ± --- | ± .005 | | | | | | | | | | | | | | | |
| 2 PLACES ± 0.13 | ± .01 | | | | | | | | | | | | | | | |
| 1 PLACE ± 0.3 | ± --- | | | | | | | | | | | | | | | |
| DESCRIPTION | DRAFT WHERE APPLICABLE MUST REMAIN WITHIN DIMENSIONS | DRAWN BY: LROTHAUS CHECKED BY: C. YORK APPROVED BY: J. PAWLICKI | DATE: 2005/12/06 DATE: 2006/01/05 DATE: 2006/01/10 | TITLE | 5.08MM, EURO DUAL HEADER HORIZONTAL, OPEN END, STACKABLE | | | | | | | | | | | |
| REV | | MATERIAL NO. | SEE CHART | DOCUMENT NO. | MOLEX INCORPORATED SD-39538-001 | | | | | | | | | | | |

F

E

D

C

B

A