

PLEASE CHECK WWW.MOLEX.COM FOR LATEST PART INFORMATION

Part Number: [0395382010](#)
Status: **Active**
Description: 5.08mm (.200") Pitch Eurostyle™ Vertical Dual Level PCB Header, Open Ends, 10 Circuits

Documents:

[3D Model](#)
[Drawing \(PDF\)](#)

[RoHS Certificate of Compliance \(PDF\)](#)

General

Product Family	Terminal Blocks
Series	39538
Application	Wire-to-Board
Component Type	PCB Header
Product Literature Order No	USA-355
Product Name	ESE, Eurostyle™ Pluggable
Type	Euro Block

Physical

Circuits (Loaded)	10
Entry Angle	N/A
Lock to Mating Part	Yes
Number of Rows	2
Orientation	Vertical
PC Tail Length (in)	0.138 In
PC Tail Length (mm)	3.50 mm
PCB Thickness Recommended (in)	0.120 In
PCB Thickness Recommended (mm)	3.00 mm
Panel Mount	No
Pitch - Mating Interface (in)	0.200 In
Pitch - Mating Interface (mm)	5.08 mm
Polarized to Mating Part	Yes
Shrouded	Open Ends
Stackable	Yes
Surface Mount Compatible (SMC)	N/A
Temperature Range - Operating	-40°C to +105°C
Wire Size AWG	N/A

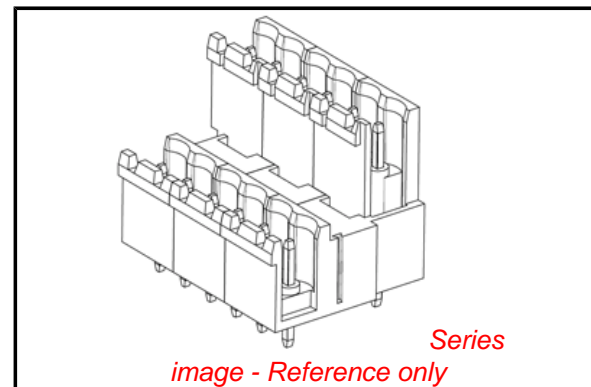
Electrical

Current - Maximum per Contact	15A
Voltage - Maximum	300V

Material Info

Reference - Drawing Numbers

Sales Drawing	SD-39538-003
---------------	--------------



EU RoHS

**ELV and RoHS
Compliant**
REACH SVHC
 Not Reviewed
**Halogen-Free
Status**

China RoHS



Not Reviewed
**Need more information on product
environmental compliance?**

Email productcompliance@molex.com
 For a multiple part number RoHS Certificate of Compliance, [click here](#)

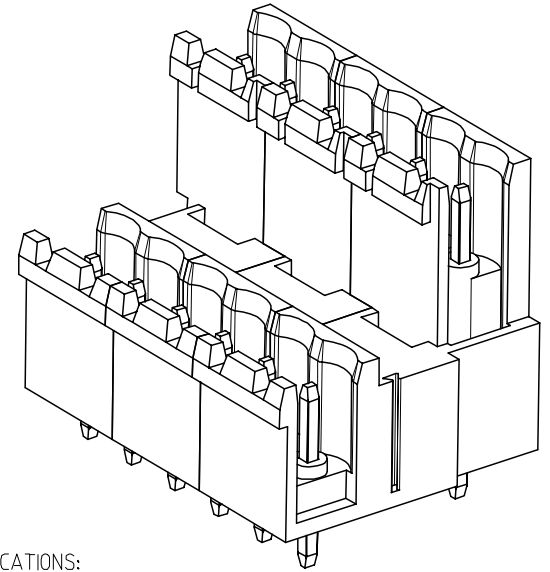
Please visit the [Contact Us](#) section for any non-product compliance questions.

Search Parts in this Series

[39538Series](#)

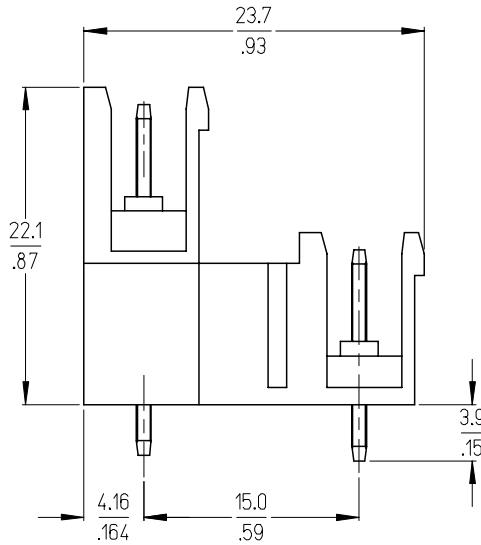
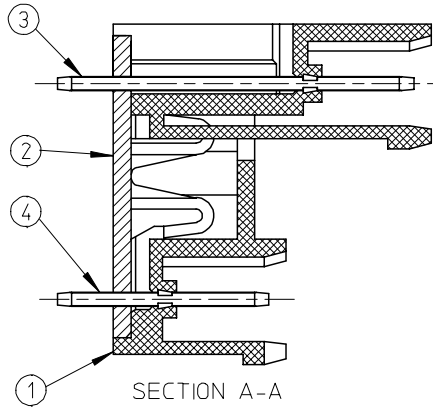
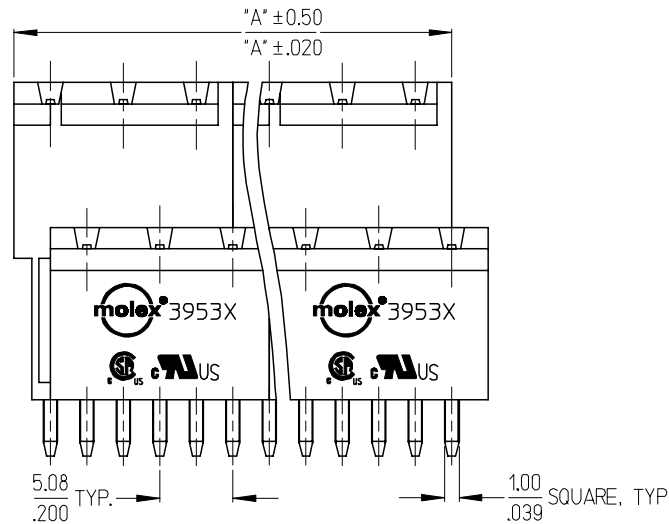
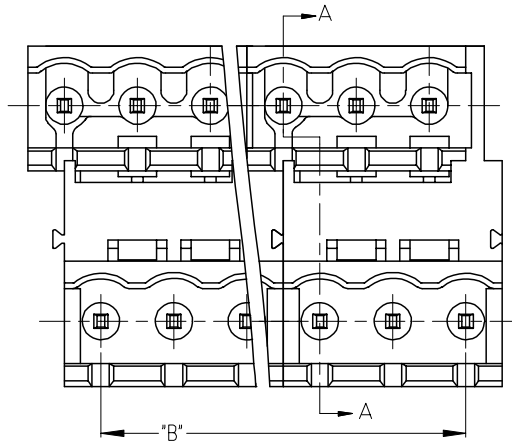
Mates With

[39530](#) Horizontal Plug, [39533](#) Vertical Plug, Most 5.08mm (.200") Pitch Industry Standard Plugs



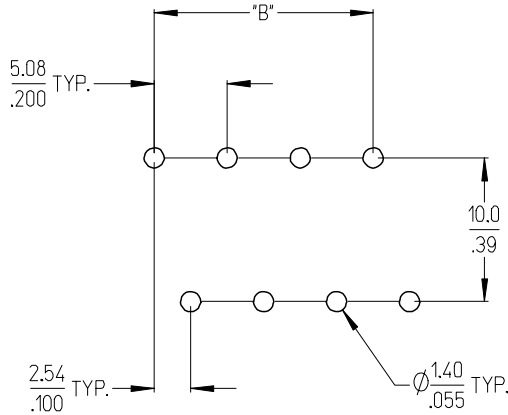
SPECIFICATIONS:

1. MATERIAL:
 - (1) BODY: PA66 (UL 94V-0).
 - (2) COVER: PBT (UL 94V-0).
 - (3) LONG TERMINAL: BRASS.
 - (4) SHORT TERMINAL: BRASS.
2. ELECTRICAL RATING: 300V, 15A.
3. DIELECTRIC WITHSTAND: AC 2500V FOR 1 MINUTE.
4. BREAKDOWN VOLTAGE: 4000V.
5. INSULATION RESISTANCE: DC 1000V, 1000 MEGOHMS.
6. OPERATING TEMPERATURE: -40°C TO +105°C.
7. NUMBER OF CIRCUIT POSITIONS AVAILABLE= 4 THROUGH 48, EVEN NUMBERED CIRCUIT SIZES ONLY.
8. ALL COMPONENTS ARE ROHS COMPLIANT.



INITIAL RELEASE EC NO: ETC2007-0020 DRWN: CYORK 2006/07/25 CHKD: JPWLICKI 2006/07/25 APPR: JPWLICKI 2006/07/26	DESCRIPTION REV A	QUALITY SYMBOLS ▽=0 ▽=0	GENERAL TOLERANCES (UNLESS SPECIFIED) mm INCH 4 PLACES ± --- ± --- 3 PLACES ± --- ± .005 2 PLACES ± 0.13 ± .01 1 PLACE ± 0.3 ± --- ANGULAR ± 2 °	DIMENSION STYLE MM/IN DRAWN BY C. YORK DATE 2006/07/24 CHECKED BY J. PAWLICKI DATE 2006/07/24 APPROVED BY J. PAWLICKI DATE 2006/07/24	SCALE 3:1 DESIGN UNITS INCH THIRD ANGLE PROJECTION		
		TITLE 5.08MM, EURO DUAL HEADER VERTICAL, OPEN END, STACKABLE			MOLEX INCORPORATED		
		DRAFT WHERE APPLICABLE MUST REMAIN WITHIN DIMENSIONS			MATERIAL NO. SEE SHT. 2	DOCUMENT NO. SD-39538-003	SHEET NO. 1 OF 2
		THIS DRAWING CONTAINS INFORMATION THAT IS PROPRIETARY TO MOLEX INCORPORATED AND SHOULD NOT BE USED WITHOUT WRITTEN PERMISSION					

Circuit size	Material Numbers				Dimensional Information			
	Black		Green		Dim. A		Dim B	
	100% Tin	30 u" Gold	100% Tin	30 u" Gold	mm	inch	mm	inch
4	395382004	395382504	395387004	395387504	10.16	0.400	5.08	0.200
6	395382006	395382506	395387006	395387506	15.24	0.600	10.16	0.400
8	395382008	395382508	395387008	395387508	20.32	0.800	15.24	0.600
10	395382010	395382510	395387010	395387510	25.40	1.000	20.32	0.800
12	395382012	395382512	395387012	395387512	30.48	1.200	25.40	1.000
14	395382014	395382514	395387014	395387514	35.56	1.400	30.48	1.200
16	395382016	395382516	395387016	395387516	40.64	1.600	35.56	1.400
18	395382018	395382518	395387018	395387518	45.72	1.800	40.64	1.600
20	395382020	395382520	395387020	395387520	50.80	2.000	45.72	1.800
22	395382022	395382522	395387022	395387522	55.88	2.200	50.80	2.000
24	395382024	395382524	395387024	395387524	60.96	2.400	55.88	2.200
26	395382026	395382526	395387026	395387526	66.04	2.600	60.96	2.400
28	395382028	395382528	395387028	395387528	71.12	2.800	66.04	2.600
30	395382030	395382530	395387030	395387530	76.20	3.000	71.12	2.800
32	395382032	395382532	395387032	395387532	81.28	3.200	76.20	3.000
34	395382034	395382534	395387034	395387534	86.36	3.400	81.28	3.200
36	395382036	395382536	395387036	395387536	91.44	3.600	86.36	3.400
38	395382038	395382538	395387038	395387538	96.52	3.800	91.44	3.600
40	395382040	395382540	395387040	395387540	101.60	4.000	96.52	3.800
42	395382042	395382542	395387042	395387542	106.68	4.200	101.60	4.000
44	395382044	395382544	395387044	395387544	111.76	4.400	106.68	4.200
46	395382046	395382546	395387046	395387546	116.84	4.600	111.76	4.400
48	395382048	395382548	395387048	395387548	121.92	4.800	116.84	4.600



RECOMMENDED PCB LAYOUT

SEE SHEET 1	EC NO: ETC2007-0020 DRWN: C.YORK 2006/07/25 CHKD: J.PAWLICKI 2006/07/25 APPR: J.PAWLICKI 2006/07/26	QUALITY SYMBOLS ▽=0 ▽=0	GENERAL TOLERANCES (UNLESS SPECIFIED)		DIMENSION STYLE	SCALE	DESIGN UNITS	THIRD ANGLE PROJECTION		
			mm	INCH	MM/IN	3:1	INCH			
			4 PLACES ± ---	± ---	DRAWN BY	DATE	TITLE			
			3 PLACES ± ---	± .005	C. YORK	2006/07/24	5.08MM, EURO DUAL HEADER VERTICAL, OPEN END, STACKABLE			
2 PLACES ± 0.13	± .01	CHECKED BY	DATE	APPROVED BY						
1 PLACE ± 0.3	± ---	J. PAWLICKI	2006/07/24	DATE						
ANGULAR ± 2 °		APPROVED BY		DATE		MATERIAL NO.				
		J. PAWLICKI		2006/07/24		DOCUMENT NO.				
DRAFT WHERE APPLICABLE MUST REMAIN WITHIN DIMENSIONS		SEE CHART				SD-39538-003				
		SIZE		THIS DRAWING CONTAINS INFORMATION THAT IS PROPRIETARY TO MOLEX INCORPORATED AND SHOULD NOT BE USED WITHOUT WRITTEN PERMISSION						
		B								
				SHEET NO. 2 OF 2						