

PLEASE CHECK WWW.MOLEX.COM FOR LATEST PART INFORMATION

Part Number: **0433740001**
Status: **Active**
Overview: [sabre](#)
Description: Sabre™ Crimp Terminal, Female, With Tin (Sn) Plated Brass Contact, 14-16 AWG, Reel Packaged, with TPA

Documents:

[Drawing \(PDF\)](#) [RoHS Certificate of Compliance \(PDF\)](#)
[Product Specification PS-43374-001 \(PDF\)](#)

General

Product Family	Crimp Terminals
Series	43374
Crimp Quality Equipment	Yes
Overview	sabre
Product Literature Order No	USA-113
Product Name	Sabre™

Physical

Durability (mating cycles max)	25
Gender	Female
Material - Metal	Brass
Material - Plating Mating	Tin
Material - Plating Termination	Tin
Packaging Type	Reel
Plating min: Mating (µin)	20
Plating min: Mating (µm)	0.50
Plating min: Termination (µin)	20
Plating min: Termination (µm)	0.50
Termination Interface: Style	Crimp or Compression
Wire Insulation Diameter	.79mm (.031") max.
Wire Size AWG	14, 16
Wire Size mm²	N/A

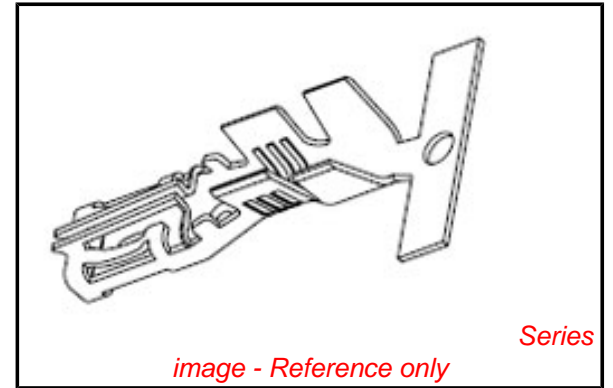
Electrical

Current - Maximum per Contact	12A
-------------------------------	-----

Material Info

Reference - Drawing Numbers

Product Specification	PS-43374-001
Sales Drawing	SD-43374-0001



EU RoHS

ELV and RoHS Compliant
REACH SVHC Contains SVHC: No
Halogen-Free Status

China RoHS



Halogen-Free

Need more information on product environmental compliance?

Email productcompliance@molex.com
 For a multiple part number RoHS Certificate of Compliance, [click here](#)

Please visit the [Contact Us](#) section for any non-product compliance questions.

Search Parts in this Series

[43374Series](#)

Mates With

[43178 Male Crimp Terminals](#)

Use With

[44441 Receptacle Housings](#)

Application Tooling | FAQ

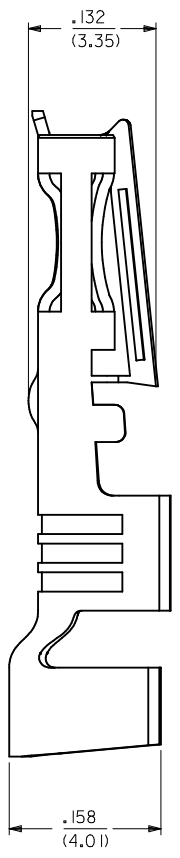
Tooling specifications and manuals are found by selecting the products below. Crimp Height Specifications are then contained in the Application Tooling Specification document.

Global

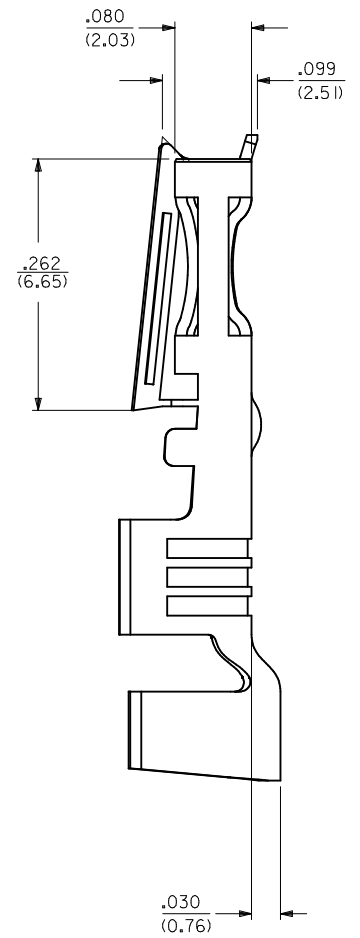
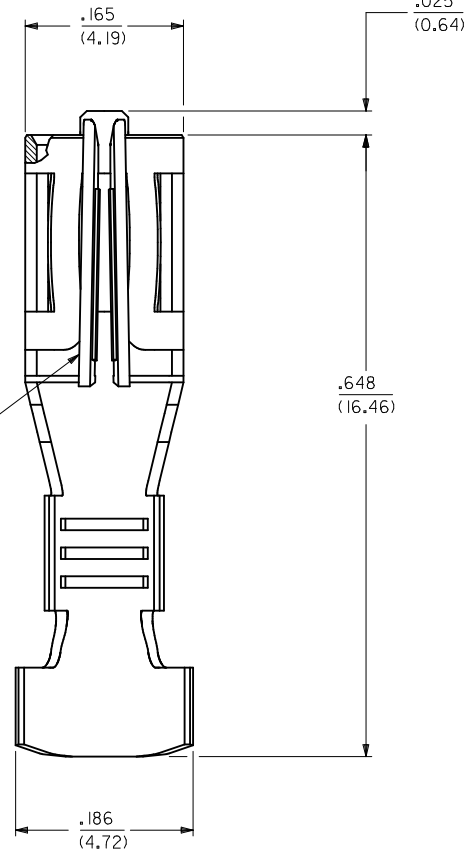
Description	Product #
HAND CRIMP TOOL	0638117200
Extraction Tool	0638132700
Mini-Mac™	0638916000
Applicator	
Manual Extraction Tool	0638130500

This document was generated on 05/19/2010

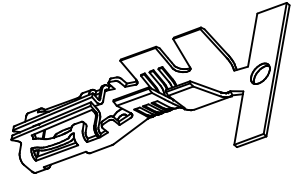
PLEASE CHECK WWW.MOLEX.COM FOR LATEST PART INFORMATION



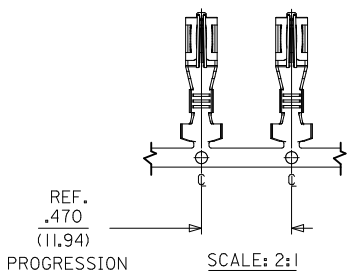
LOCK TANG BEAM
(2-PL)
(SEE NOTE 5)



SMALL INSULATION CRIMP



43374-0001



NOTES:

1. SINGLE CRIMP TO #16 & #14 AWG WIRE WITH .031/(0.79) MAXIMUM INSULATION THICKNESS.
2. MATERIAL: .012/(0.30) THICK C26000 BRASS.
3. FINISH: HOT TIN DIP.
4. DIMENSIONS FOR REFERENCE ONLY.
5. NO PORTION OF ONE LOCK TANG BEAM SHALL TOUCH ANY PORTION OF THE OTHER LOCK TANG BEAM.
6. PRODUCT SPECIFICATION: PS-43374-001

ADD BLOCK TOLERANCE EC NO: UCP2010-1826 DRW:NAELHAG CHKD:BWIRKUS APPR:FSMLTH	2010/02/08 2010/02/09 2010/02/10	QUALITY SYMBOLS ∇=0 ∇=0 ∇=0	GENERAL TOLERANCES (UNLESS SPECIFIED)		DIMENSION STYLE IN/MM		SCALE 1:1	DESIGN UNITS INCH	THIRD ANGLE PROJECTION	
			mm INCH	DRAWN BY MAB	DATE 05/08/94	TITLE TERMINAL, RECEPTACLE .125/(3.18)X.020/(0.51) FLAT BLADE SYSTEM - TPA				
			4 PLACES ± --- ± --- 3 PLACES ± --- ± .010 2 PLACES ± 0.25 ± .014 1 PLACE ± 0.35 ± ---	CHECKED BY KBP	DATE 05/08/94					
			ANGULAR ±1/2°	APPROVED BY RAS	DATE 05/08/94	MOLEX MOLEX INCORPORATED		MATERIAL NO. 43374-0001	DOCUMENT NO. SD-43374-0001	SHEET NO. 1 OF 1

DRAFT WHERE APPLICABLE
MUST REMAIN
WITHIN DIMENSIONS

THIS DRAWING CONTAINS INFORMATION THAT IS PROPRIETARY TO MOLEX INCORPORATED AND SHOULD NOT BE USED WITHOUT WRITTEN PERMISSION