

PLEASE CHECK WWW.MOLEX.COM FOR LATEST PART INFORMATION

Part Number: **0441700003**
Status: **Active**
Overview: modular_plugs_jacks
Description: Modular Jack, Right Angle, Shielded, Lightpipes, Stacked, 8/8, 16 Ports

Documents:

[3D Model](#) [Product Specification PS-44050-003 \(PDF\)](#)
[Drawing \(PDF\)](#) [RoHS Certificate of Compliance \(PDF\)](#)
[Packaging Specification \(PDF\)](#)

Agency Certification

CSA LR19980
 UL E107635

General

Product Family Modular Jacks/Plugs
 Series 44170
 Comments High Speed|Multi-Port
 Component Type PCB Jack
 Magnetic No
 Overview modular_plugs_jacks
 Performance Category 5
 Power over Ethernet (PoE) N/A
 Product Name RJ45

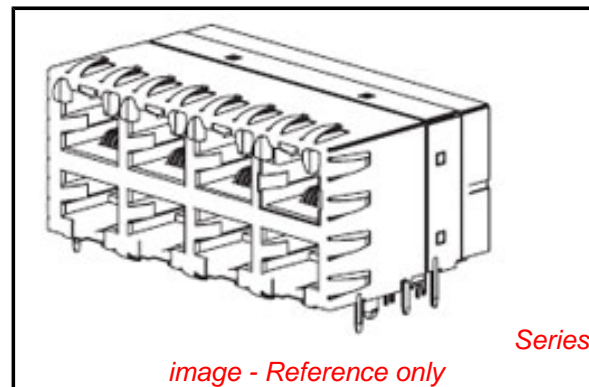
Physical

Color - Resin Black, Clear
 Durability (mating cycles max) 500
 Flammability 94V-0
 Inverted / Top Latch Yes
 Lightpipes/LEDs Lightpipes
 Material - Metal Phosphor Bronze
 Material - Plating Mating Gold
 Material - Plating Termination Tin
 Material - Resin Polycarbonate, Polyester
 Orientation Right Angle (Side Entry)
 PCB Retention Yes
 PCB Thickness Recommended (in) 0.062 In
 PCB Thickness Recommended (mm) 1.60 mm
 Packaging Type Tray
 Plating min: Mating (µin) 50
 Plating min: Mating (µm) 1.25
 Plating min: Termination (µin) 100
 Plating min: Termination (µm) 2.5
 Ports 16
 Positions / Loaded Contacts 8/8
 Surface Mount Compatible (SMC) No
 Temperature Range - Operating -40°C to +80°C
 Termination Interface: Style Through Hole
 Wire/Cable Type N/A

Electrical

Current - Maximum per Contact 1.5A
 Shielded Yes
 Voltage - Maximum 125V

Solder Process Data



EU RoHS

**ELV and RoHS
 Compliant**
REACH SVHC
 Not Reviewed
**Halogen-Free
 Status**

China RoHS



**Need more information on product
 environmental compliance?**

Email productcompliance@molex.com
 For a multiple part number RoHS Certificate of
 Compliance, [click here](#)

Please visit the [Contact Us](#) section for any
 non-product compliance questions.

Search Parts in this Series

44170Series

Mates With

FCC 68 Plugs

Lead-free Process Capability

Wave Capable (TH only)

Material Info

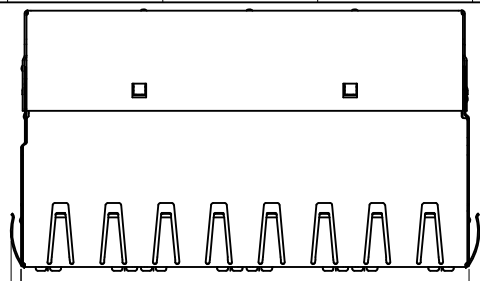
Reference - Drawing Numbers

Application Specification	AS-43860-001
Packaging Specification	PK-44170-003
Product Specification	PS-44050-003
Sales Drawing	SD-44170-001
Test Summary	TS-44050-001

This document was generated on 06/07/2010

PLEASE CHECK WWW.MOLEX.COM FOR LATEST PART INFORMATION

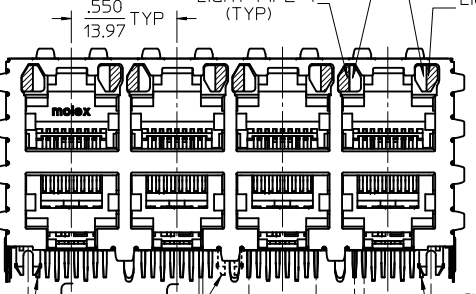
.052
1.32 TYP



DIM -A-

LIGHT PIPE 3 (TYP)
LIGHT PIPE 2 (TYP)
LIGHT PIPE 4 (TYP)
LIGHT PIPE 1 (TYP)

OPTIONAL
SIDE PANEL
GROUND TABS
TYP (8)
SEE NOTE 9



CIRCUIT #1 (BOTTOM ROW)

SNAP-FIT CENTER PEG
(16 PORT VERSIONS ONLY)

.020 TYP

DIM -B-

.350 TYP

CIRCUIT #1 (TOP ROW)

.050 TYP

1.27

.020
0.50 TYP

1.052
26.73 TYP

.425
10.80 (2 PLACES)

1.337
33.95

.150 TYP
3.81
HIGHEST POINT

1.000
25.41

.100 TYP
2.55

.050 TYP
1.27

.158 (2) PLACES
4.01 PER PORT

.140 (6) PLACES
3.56 PER PORT

.163
4.15

.012 TYP
0.30

.759 TYP
19.29

.100 TYP
2.55

.050 TYP
1.27

.158 (2) PLACES
4.01 PER PORT

.140 (6) PLACES
3.56 PER PORT

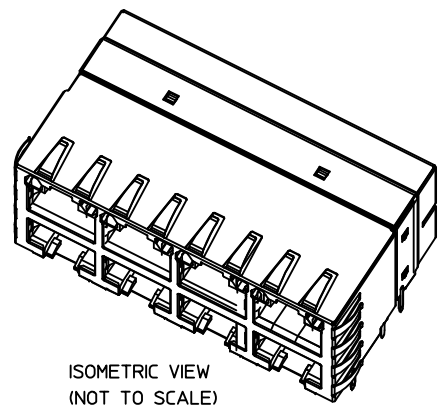
.163
4.15

.012 TYP
0.30

.759 TYP
19.29

INNER AND REAR
GROUND TABS
(OPTIONAL)

CLASS C SURFACE
SEE NOTE 11



ISOMETRIC VIEW
(NOT TO SCALE)

.071
1.8



PRESS-FIT PEG
STYLE (NOTE 6)

.128
3.25



SNAP-FIT PEG
STYLE (NOTE 6)

- NOTES:
- 1) MATERIAL:
HOUSING: POLYESTER(PBT), GLASS FILLED, UL94V-0, COLOR: BLACK
LIGHT PIPES: POLYCARBONATE, UL-94HB, COLOR: CLEAR
TERMINALS: PHOSPHOR BRONZE
SHIELD: BRASS
 - 2) FINISH:
TERMINALS:
SELECT GOLD IN CONTACT AREA: 50 MICROINCHES / 1.27 MICROMETERS MIN.
*SELECT TIN IN PC TAIL AREA: 100 MICROINCHES / 2.54 MICROMETERS MIN.
WITH OVERALL NICKEL UNDERPLATE: 50 MICROINCHES / 1.27 MICROMETERS MIN.
SHIELD:
*100 MICROINCHES / 2.54 MICROMETERS NICKEL OVER 50 MICROINCHES /
1.27 MICROMETERS COPPER UNDERPLATE PCB GROUND TABS DIPPED IN TIN
*THE PRIMARY SHIPPING CARTON WILL BE LABELED 'COMPLIANT TO RoHS DIRECTIVE
2002/95/EC AND ELV ANNEX II OF DIRECTIVE 2000/53/EC'. CARTONS WITHOUT THIS
LABEL MAY CONTAIN PRODUCT WITH TIN-LEAD IN THE PC TAILS AND/OR SHIELD.
 - 3) PRODUCT SPECIFICATION AND PROCESSING PARAMETERS: PS-44050-003.
 - 4) PACKAGING SPECIFICATION: CONNECTOR PACKAGED IN THERMOFORMED TRAYS PER PK-44170-003.
 - 5) APPLICATION SPECIFICATION: AS-43860-001
 - 6) CONNECTORS AVAILABLE WITH EITHER SNAP-FIT OR PRESS-FIT PEGS.
 - 7) CONFORMS TO FCC REGULATION PART 68.5 FOR MODULAR JACKS.
 - 8) PCB LAYOUT AND PANEL CUT-OUT SHOWN ON SHEET (2) OF (2).
 - 9) AVAILABLE WITH THE (8) PANEL GROUND TABS REMOVED ON EACH SIDE
FOR SIDE TO SIDE STACKABILITY.
 - 10) TERMINAL LENGTHS MAY BE DIFFERENT FROM TERMINAL TO TERMINAL.
 - 11) THIS PART CONFORMS TO CLASS B REQUIREMENTS OF COSMETIC
SPECIFICATION PS-45499-002 WITH THE EXCEPTION OF THE SURFACE
INDICATED WHICH IS A CLASS C SURFACE.

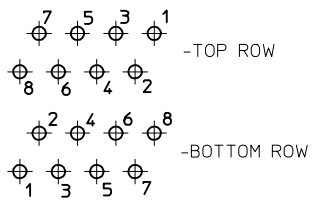
ASSEMBLY MATERIAL NUMBER	NUMBER OF PORTS	PEG STYLE	DIM -A-	DIM -B-	SIDE PANEL GROUND TABS	INNER/REAR GROUND TABS
44170-0001	8 (2 X 4)	SNAP-FIT	2.330/59.18	2.100/53.34	YES	YES
44170-2001	8 (2 X 4)	SNAP-FIT	2.330/59.18	2.100/53.34	NO	YES
44170-3001	8 (2 X 4)	SNAP-FIT	2.330/59.18	2.100/53.34	YES	NO
44170-4001	8 (2 X 4)	SNAP-FIT	2.330/59.18	2.100/53.34	NO	NO
44170-0004	8 (2 X 4)	PRESS-FIT	2.330/59.18	2.100/53.34	YES	YES
44170-2004	8 (2 X 4)	PRESS-FIT	2.330/59.18	2.100/53.34	NO	YES
44170-3004	8 (2 X 4)	PRESS-FIT	2.330/59.18	2.100/53.34	YES	NO
44170-4004	8 (2 X 4)	PRESS-FIT	2.330/59.18	2.100/53.34	NO	NO
44170-0002	12 (2 X 6)	SNAP-FIT	3.430/87.12	3.200/81.28	YES	YES
44170-2002	12 (2 X 6)	SNAP-FIT	3.430/87.12	3.200/81.28	NO	YES
44170-3002	12 (2 X 6)	SNAP-FIT	3.430/87.12	3.200/81.28	YES	NO
44170-4002	12 (2 X 6)	SNAP-FIT	3.430/87.12	3.200/81.28	NO	NO
44170-0005	12 (2 X 6)	PRESS-FIT	3.430/87.12	3.200/81.28	YES	YES
44170-2005	12 (2 X 6)	PRESS-FIT	3.430/87.12	3.200/81.28	NO	YES
44170-3005	12 (2 X 6)	PRESS-FIT	3.430/87.12	3.200/81.28	YES	NO
44170-4005	12 (2 X 6)	PRESS-FIT	3.430/87.12	3.200/81.28	NO	NO
44170-0003	16 (2 X 8)	SNAP-FIT	4.530/115.06	4.300/109.22	YES	YES
44170-2003	16 (2 X 8)	SNAP-FIT	4.530/115.06	4.300/109.22	NO	YES
44170-3003	16 (2 X 8)	SNAP-FIT	4.530/115.06	4.300/109.22	YES	NO
44170-4003	16 (2 X 8)	SNAP-FIT	4.530/115.06	4.300/109.22	NO	NO
44170-0006	16 (2 X 8)	PRESS-FIT	4.530/115.06	4.300/109.22	YES	YES
44170-2006	16 (2 X 8)	PRESS-FIT	4.530/115.06	4.300/109.22	NO	YES
44170-3006	16 (2 X 8)	PRESS-FIT	4.530/115.06	4.300/109.22	YES	NO
44170-4006	16 (2 X 8)	PRESS-FIT	4.530/115.06	4.300/109.22	NO	NO

REVISED TITLE BLOCK
 EC NO: UCP2010-0464
 DRAWN: JAGUILAR 2009/08/20
 CHKD: BELL 2009/08/26
 APPR: FSMITH 2009/08/26

QUALITY SYMBOLS	GENERAL TOLERANCES (UNLESS SPECIFIED)
▽=0	
▽=0	

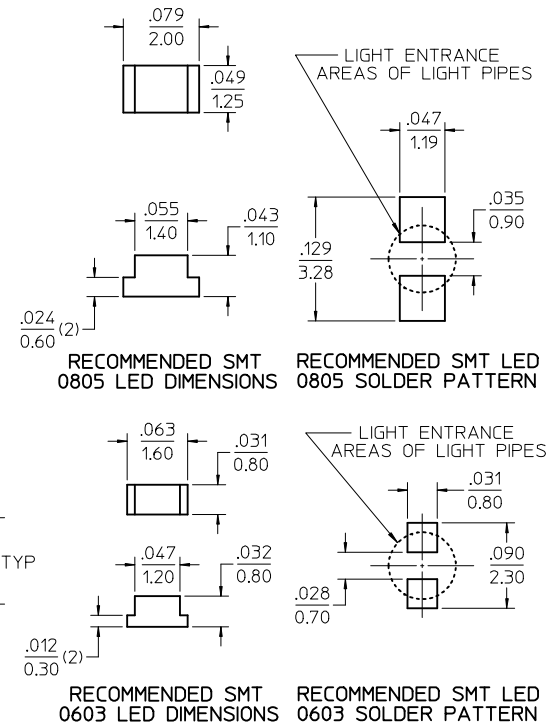
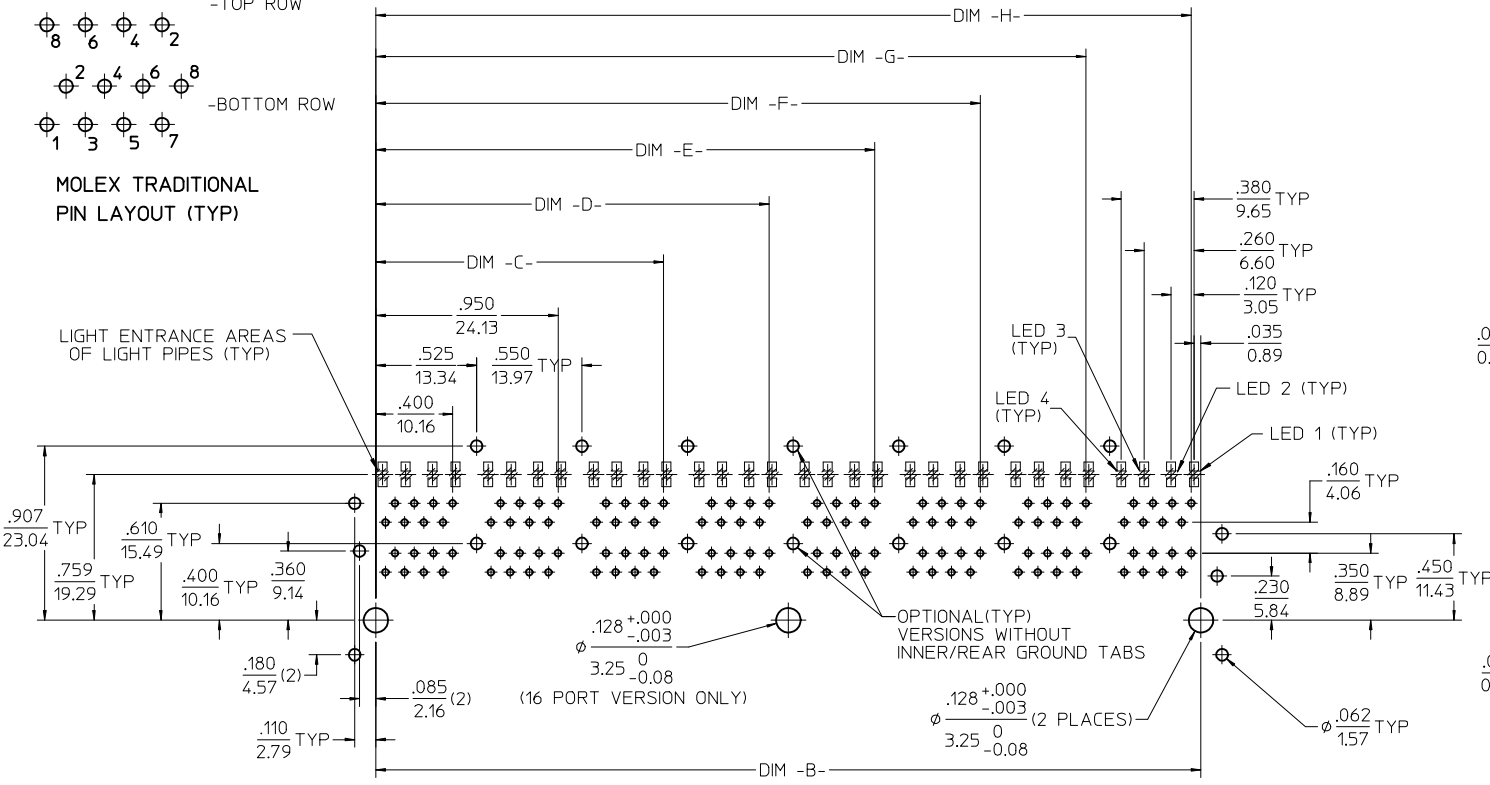
DIMENSION STYLE		SCALE		DESIGN UNITS	
IN/MM		2:1		INCH	
DRAWN BY	DATE	TITLE			
MARGULIS	98/11/16	STACKED MODULAR JACK WITH LIGHT PIPES CAT 5			
CHECKED BY	DATE	MATERIAL NO.			
ROBERTS	98/11/16	SD-44170-001			
APPROVED BY	DATE	SHEET NO.			
ROBERTS	98/11/16	1 OF 2			

MOLEX INCORPORATED
 DOCUMENT NO. SD-44170-001
 SHEET NO. 1 OF 2
 THIS DRAWING CONTAINS INFORMATION THAT IS PROPRIETARY TO MOLEX INCORPORATED AND SHOULD NOT BE USED WITHOUT WRITTEN PERMISSION

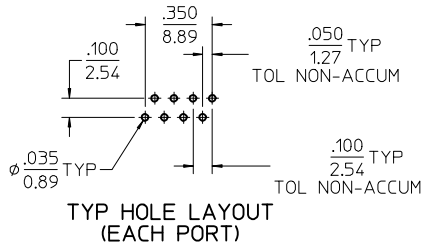


MOLEX TRADITIONAL PIN LAYOUT (TYP)

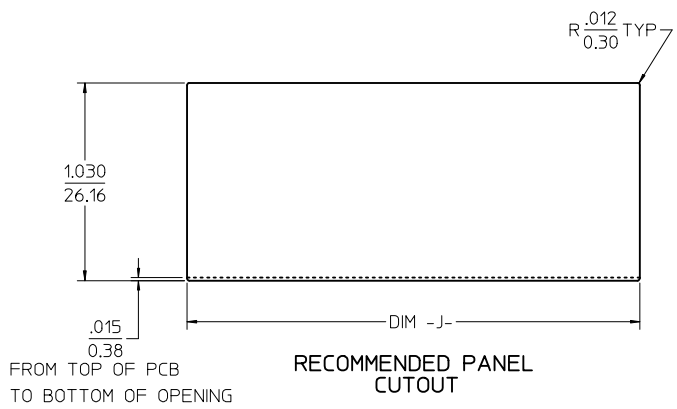
LIGHT ENTRANCE AREAS OF LIGHT PIPES (TYP)



PC BOARD LAYOUT: COMPONENT SIDE
RECOMMENDED PCB THICKNESS: .062/1.57
(16 PORT VERSION SHOWN)



- NOTES:**
1. SEE MOLEX WEB SITE FOR CROSS REFERENCE OF RECOMMENDED LED'S.



NUMBER OF PORTS	DIM -B-	DIM -C-	DIM -D-	DIM -E-	DIM -F-	DIM -G-	DIM -H-	DIM -J-
8 (2 X 4)	2.100/53.34	1.500/38.10	2.050/52.07					2.360/59.94
12 (2 X 6)	3.200/81.28	1.500/38.10	2.050/52.07	2.600/66.04	3.150/80.01			3.460/87.88
16 (2 X 8)	4.300/109.22	1.500/38.10	2.050/52.07	2.600/66.04	3.150/80.01	3.700/93.98	4.250/107.95	4.560/115.82

SEE SHEET 1 EC NO: UCP2010-0464 DRWN: JAGUILAR CHKD: BELL APPR: FSMITH 2009/08/20 2009/08/26 2009/08/26	QUALITY SYMBOLS ▽=0 ▽=0	GENERAL TOLERANCES (UNLESS SPECIFIED)		DIMENSION STYLE IN/MM		SCALE 2:1	DESIGN UNITS INCH	THIRD ANGLE PROJECTION	
		4 PLACES ± --- ± ---	mm INCH	DRAWN BY MARGULIS	DATE 98/11/16	STACKED MODULAR JACK WITH LIGHT PIPES CAT 5			
		3 PLACES ± --- ± .010		CHECKED BY ROBERTS	DATE 98/11/16				
		2 PLACES ± 0.25 ± ---		APPROVED BY ROBERTS	DATE 98/11/16				
1 PLACE ± --- ± ---		ANGULAR ±1/2°		MATERIAL NO. SEE CHART	DOCUMENT NO. SD-44170-001	MOLEX INCORPORATED			
DRAFT WHERE APPLICABLE MUST REMAIN WITHIN DIMENSIONS		SIZE C	THIS DRAWING CONTAINS INFORMATION THAT IS PROPRIETARY TO MOLEX INCORPORATED AND SHOULD NOT BE USED WITHOUT WRITTEN PERMISSION						