

PLEASE CHECK WWW.MOLEX.COM FOR LATEST PART INFORMATION

Part Number: [0554541670](#)
Status: **Active**
Description: 1.25mm (.049") Pitch Mi II™ System Wire-to-Board Header, Single Row, Right Angle, Lead-free, 16 Circuits

Documents:

[3D Model](#) [Product Specification PS-54596-018 \(PDF\)](#)
[Drawing \(PDF\)](#) [RoHS Certificate of Compliance \(PDF\)](#)

General

Product Family	PCB Headers
Series	55454
Application	Wire-to-Board
Product Name	Mini Mi II™

Physical

Breakaway	No
Circuits (Loaded)	16
Color - Resin	Natural
Durability (mating cycles max)	30
First Mate / Last Break	No
Glow-Wire Compliant	No
Guide to Mating Part	No
Keying to Mating Part	None
Lock to Mating Part	Yes
Material - Plating Mating	Tin
Material - Plating Termination	Tin
Number of Rows	1
Orientation	Right Angle
PC Tail Length (in)	0.118 In
PC Tail Length (mm)	3.00 mm
PCB Locator	Yes
PCB Retention	Yes
PCB Thickness Recommended (in)	0.062 In
PCB Thickness Recommended (mm)	1.60 mm
Packaging Type	Tray
Pitch - Mating Interface (in)	0.049 In
Pitch - Mating Interface (mm)	1.25 mm
Polarized to Mating Part	Yes
Shrouded	Fully
Stackable	No
Surface Mount Compatible (SMC)	No
Temperature Range - Operating	-40°C to +105°C
Termination Interface: Style	Through Hole

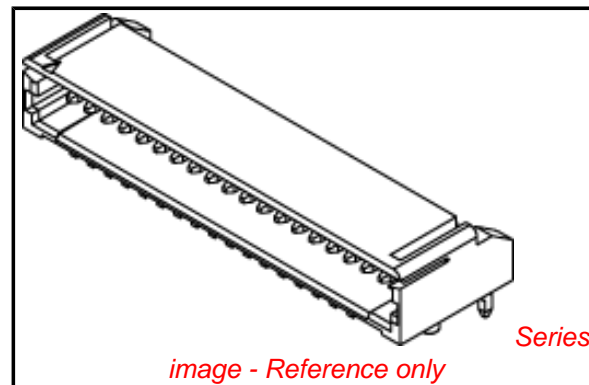
Electrical

Current - Maximum per Contact	1.5A
Voltage - Maximum	100V

Material Info

Reference - Drawing Numbers

Product Specification	PS-54596-018, RPS-54596-024
Sales Drawing	SD-55454-007



EU RoHS

**ELV and RoHS
Compliant**
**REACH SVHC
Contains SVHC: No
Halogen-Free
Status**

China RoHS



**Need more information on product
environmental compliance?**

Email productcompliance@molex.com
 For a multiple part number RoHS Certificate of Compliance, [click here](#)

Please visit the [Contact Us](#) section for any non-product compliance questions.

Search Parts in this Series

[55454Series](#)

Mates With

[51336](#) PBT Polyester, Glass-filled Housing.
[54596](#) PA Polyamide Housing

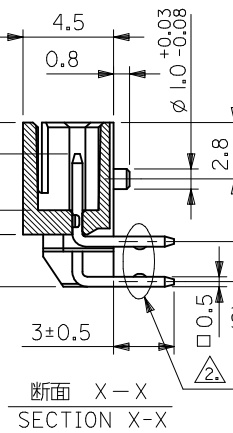
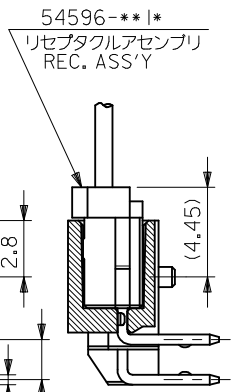
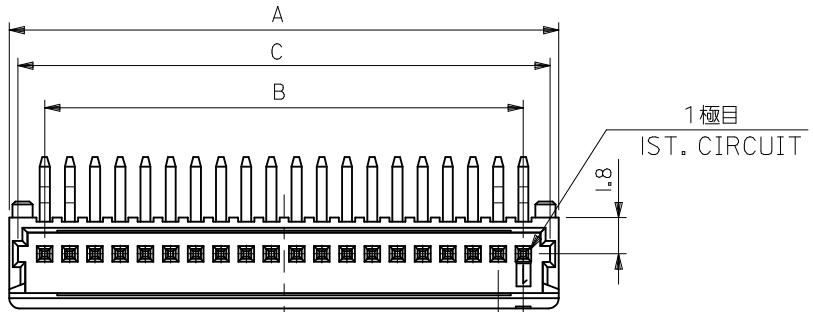
This document was generated on 04/16/2010

PLEASE CHECK WWW.MOLEX.COM FOR LATEST PART INFORMATION

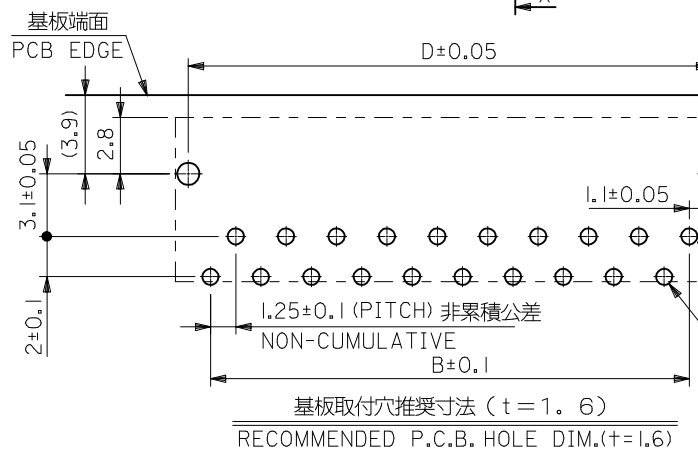
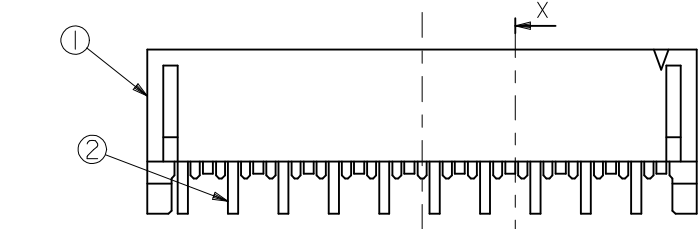
番号 NO.	名称 NAME	原料 MATERIAL	数量 QTY	仕上げ FINISH
①	ウエハー WEFAR	ポリアミド PA	1	UL94V-0
②	ピン PIN	黄銅 BRASS	N	錫メッキ 1.0マイクロメートル以上 PRE-TINNED 1.0 MICROMETER MINIMUM 下地: ニッケルメッキ 0.5マイクロメートル以上 UNDER PLATE-NICKEL 0.5 MICROMETER MINIMUM

注) NOTES

- 1. 原料および仕上げ: 表参照
MATERIAL AND FINISH: SEE CHART
- △ キングは、両サイド4ピンに適用。(4極品までは、全極に適用)
TO BE APPLICABLE 4 PIN OF BOTH SIDE.
- △ 製品番号
MATERIAL NO.
55454-***7*
極数 CIRCUIT SIZE (02 ~ 20)
メッキ仕様: 無鉛 PLATING: LEAD FREE
0: 自然色 NATURAL
色 2: 赤色 RED
COLOR 3: 黄色 YELLOW

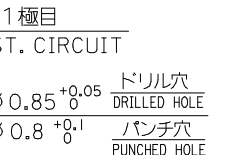


嵌合図
MATING REC.



断面 X-X
SECTION X-X

コネクタ外形
CONNECTOR OUTLINE



無鉛
LEAD FREE

25.95	26.4	23.75	27.25	20	55454-207*
24.7	25.15	22.5	26	19	-197*
23.45	23.9	21.25	24.75	18	-187*
22.2	22.65	20	23.5	17	-177*
20.95	21.4	18.75	22.25	16	-167*
19.7	20.15	17.5	21	15	-157*
18.45	18.9	16.25	19.75	14	-147*
17.2	17.65	15	18.5	13	-137*
15.95	16.4	13.75	17.25	12	-127*
14.7	15.15	12.5	16	11	-117*
13.45	13.9	11.25	14.75	10	-107*
12.2	12.65	10	13.5	9	-097*
10.95	11.4	8.75	12.25	8	-087*
9.7	10.15	7.5	11	7	-077*
8.45	8.9	6.25	9.75	6	-067*
7.2	7.65	5	8.5	5	-057*
5.95	6.4	3.75	7.25	4	-047*
4.7	5.15	2.5	6	3	-037*
3.45	3.9	1.25	4.75	2	55454-027*

55454-***7*

D	C	B	A	極数 CIRCUIT SIZE	製品番号 MATERIAL NO.	MODEL NO.
				△	55454-027*	

REVISED		GENERAL TOLERANCES (UNLESS SPECIFIED)		DIMENSION STYLE		SCALE		DESIGN UNITS		THIRD ANGLE PROJECTION	
EC NO: J2009-1881	2009/02/05	10 UNDER	±0.2	MM ONLY		4:1		METRIC			
DRW: TSURUOKA	2009/02/05	10 OVER 30 UNDER	±0.25	DRAWN BY	DATE	TITLE		MINI M12 1-ROW R/A WAFER ASS'Y (SN)			
CHKD: THARUYAMA	2009/02/05	30 OVER	±0.3	CHECKED BY	DATE	MOLEX INCORPORATED					
APPR: NUKITA	2009/02/05	ANGULAR	±3 °	APPROVED BY	DATE	SD-55454-007					
DESCRIPTION		DRAFT WHERE APPLICABLE MUST REMAIN WITHIN DIMENSIONS		MATERIAL NO.		DOCUMENT NO.		SHEET NO.			
A		A3		SEE TABLE		SD-55454-007		1 OF 1			