

**PLEASE CHECK WWW.MOLEX.COM FOR LATEST PART INFORMATION**

**Part Number:** [0672984091](#)  
**Status:** **Active**  
**Description:** Universal Serial Bus (USB) Shielded I/O Receptacle, Right Angle, Dual Stacked, Type A, 0.76µm (30µ") Gold (Au) Plating, White Housing, with 4 Beveled Metal Pins, Lead Free

**Documents:**

[3D Model](#) [Product Specification PS-67298-001 \(PDF\)](#)  
[Drawing \(PDF\)](#) [RoHS Certificate of Compliance \(PDF\)](#)

**General**

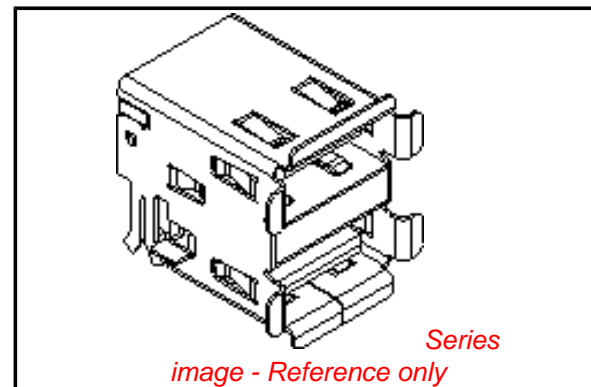
|                |                       |
|----------------|-----------------------|
| Product Family | I/O Connectors        |
| Series         | <a href="#">67298</a> |
| Application    | Wire-to-Board         |
| Comments       | 4 Beveled Metal Pins  |
| Component Type | Receptacle            |
| Product Name   | USB                   |
| Type           | A                     |

**Physical**

|                                |                    |
|--------------------------------|--------------------|
| Boot Color                     | N/A                |
| Circuits (Loaded)              | 8                  |
| Circuits (maximum)             | 8                  |
| Gender                         | Receptacle         |
| Keying to Mating Part          | Yes                |
| Lock to Mating Part            | Yes                |
| Material - Plating Mating      | Gold               |
| Material - Plating Termination | Tin                |
| Number of Rows                 | 2                  |
| Orientation                    | Right Angle        |
| PC Tail Length (in)            | 0.110 In           |
| PC Tail Length (mm)            | 2.80 mm            |
| PCB Locator                    | Yes                |
| PCB Retention                  | Yes                |
| PCB Thickness Recommended (in) | 0.062 In           |
| PCB Thickness Recommended (mm) | 1.60 mm            |
| Packaging Type                 | Tray               |
| Panel Mount                    | Yes                |
| Pitch - Mating Interface (in)  | 0.079 In, 0.098 In |
| Pitch - Mating Interface (mm)  | 2.00 mm, 2.50 mm   |
| Pitch - Term. Interface (in)   | 0.079 In, 0.098 In |
| Pitch - Term. Interface (mm)   | 2.00 mm, 2.50 mm   |
| Plating min: Mating (µin)      | 30                 |
| Plating min: Mating (µm)       | 0.76               |
| Polarized to Mating Part       | Yes                |
| Polarized to PCB               | Yes                |
| Ports                          | 2                  |
| Surface Mount Compatible (SMC) | No                 |
| Temperature Range - Operating  | 0°C to +50°C       |
| Termination Interface: Style   | Through Hole       |
| Waterproof / Dustproof         | No                 |

**Electrical**

|                               |             |
|-------------------------------|-------------|
| Current - Maximum per Contact | 1.5A        |
| Shield Type                   | Full Shield |
| Shielded                      | Yes         |



**EU RoHS**

**ELV and RoHS  
Compliant**  
**REACH SVHC**  
 Not Reviewed  
**Halogen-Free  
Status**

**China RoHS**



**Not Reviewed**  
**Need more information on product  
environmental compliance?**

Email [productcompliance@molex.com](mailto:productcompliance@molex.com)  
 For a multiple part number RoHS Certificate of Compliance, [click here](#)

Please visit the [Contact Us](#) section for any non-product compliance questions.

**Search Parts in this Series**

[67298Series](#)

**Mates With**

USB Type A Plug

Voltage - Maximum

30V DC

**Material Info**

**Reference - Drawing Numbers**

Product Specification

PS-67298-001

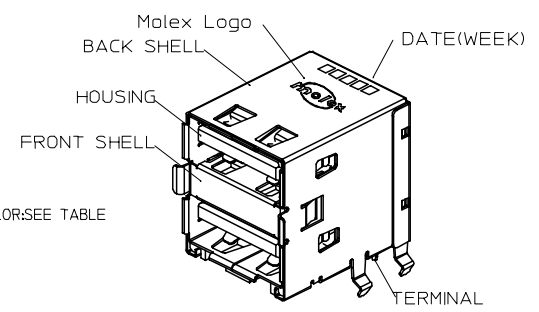
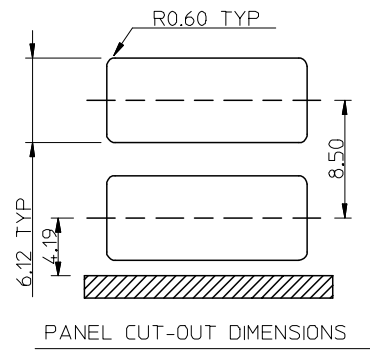
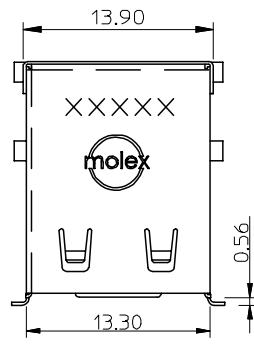
Sales Drawing

SD-67298-008

This document was generated on 03/31/2010

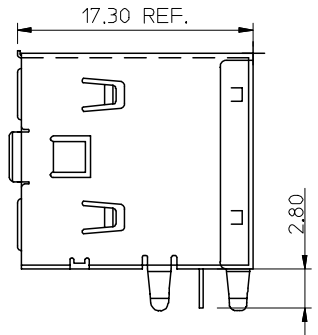
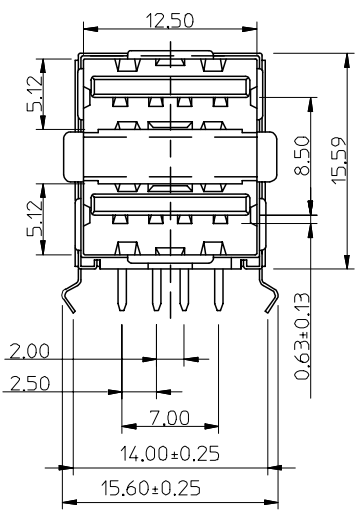
**PLEASE CHECK [WWW.MOLEX.COM](http://WWW.MOLEX.COM) FOR LATEST PART INFORMATION**

7 6 5 4 3 2 1

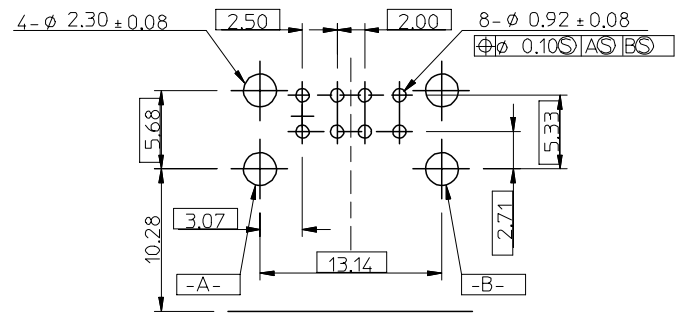


- NOTE :
- MATERIAL :  
HOUSING :POLYESTER(PBT),GLASS FIBER FILLED, UL94-V0,COLOR:SEE TABLE  
TERMINAL :PHOSPHOR BRONZE  
METAL SHELL :FRONT SHELL:SUS 304  
BACK SHELL:SPCC
  - PLATING :  
TERMINAL :  
CONTACT AREA :SEE TABLE  
SOLDER TAIL :TIN(Sn) ALLOY,THICKNESS=75 MICROINCH MIN/1.9 MICROMETER MIN.  
UNDER PLATE :NICKEL(Ni),THICKNESS=50 MICROINCH MIN/1.27 MICROMETER MIN.  
METAL SHELL :TIN PLATING,THICKNESS=100 MICROINCH MIN/2.54 MICROMETER MIN.  
UNDER PLATE :NICKEL (Ni),THICKNESS=50 MICROINCH MIN/1.27 MICROMETER MIN.
  - RECOMMENDED PCB THICKNESS :1.60 +/- 0.05mm
  - PRODUCT SPECIFICATION:REFER TO PS-67298-001
  - TEST SUMMARY:REFER TO TS-67298-008
  - PACKAGING:REFER TO PK-67298-003
  - THE HOUSING MATERIAL IS NOT FOR IR REFLOW PROCESS OR SURFACE MOUNTING COMPATIBLE PROCESS.
  - LEAD FREE AND ROHS COMPLIANCE PRODUCT
  - WEEK CODE XXXXX  

|   |         |
|---|---------|
| ↑ | FACTORY |
| ↑ | WEEK    |
| ↑ | YEAR    |



| P/N        | COLOR | CONTACT PLATING |
|------------|-------|-----------------|
| 67298-3090 | BLACK | GOLD FLASH      |
| 67298-4090 | WHITE | GOLD FLASH      |
| 67298-3091 | BLACK | 30 MICRO INCH   |
| 67298-4091 | WHITE | 30 MICRO CHEN   |



RECOMMENDED PCB LAYOUT

|   |                               |  |                      |                      |   |                    |              |  |  |  |
|---|-------------------------------|--|----------------------|----------------------|---|--------------------|--------------|--|--|--|
| L/F FOR 67298<br>EC NO: SH2005020297<br>DRWN: JCHEN12 2005/05/06<br>CHKD: 2005/05/10<br>APPR: WWSCHANG 2005/05/10 | QUALITY SYMBOLS<br>▽=0<br>◻=0 | GENERAL TOLERANCES (UNLESS SPECIFIED)                |                      | DIMENSION STYLE      |   | SCALE              | DESIGN UNITS | THIRD ANGLE PROJECTION                           |  |  |
|   |                               |  |                      | MM ONLY              |   |                    | METRIC       |  |  |  |
|   |                               |  |                      | mm                   | INCH  | DRAWN BY           | DATE         | TITLE  |  |  |
|   |                               |  |                      | 4 PLACES ± --- ± --- | 3 PLACES ± --- ± ---  | IVY-LIN            | 2005/03/11   | USB DUAL STACKED A CONNECTOR (LEAD FREE VERSION) |  |  |
|   |                               | 2 PLACES ± 0.25 ± ---                                | 1 PLACE ± 0.25 ± --- | ALL IN               | 2005/04/01  | MOLEX INCORPORATED |              |  |  |  |
|   |                               | ANGULAR ± 3 °  |                      | APPROVED BY          | DATE  | DOCUMENT NO.       |              | SHEET NO.  |  |  |
|   |                               | DRAFT WHERE APPLICABLE MUST REMAIN WITHIN DIMENSIONS |                      | MATERIAL NO.         | 2005/04/01  | SD-67298-008       |              | 1 OF 1   |  |  |
|   |                               |  |                      | SIZE                 | THIS DRAWING CONTAINS INFORMATION THAT IS PROPRIETARY TO MOLEX INCORPORATED AND SHOULD NOT BE USED WITHOUT WRITTEN PERMISSION |                    |              |  |  |  |
|   |                               |  |                      | A4                   |   |                    |              |  |  |  |

6 5 4 3 2 1