

PLEASE CHECK WWW.MOLEX.COM FOR LATEST PART INFORMATION

Part Number: [0873401897](#)
Status: **Active**
Description: 2.00mm (.079") Pitch Milli-Grid™ Receptacle, Surface Mount (Very Low Profile), Top Entry, with Locating Pegs, with Pick-and-Place Cap, 0.76µm (30µ") Gold (Au) Plating, 18 Circuits, Lead-free, Tube

Documents:

[3D Model](#) [RoHS Certificate of Compliance \(PDF\)](#)
[Drawing \(PDF\)](#)

Agency Certification

CSA LR19980
 UL E29179

General

Product Family PCB Receptacles
 Series [87340](#)
 Application Board-to-Board
 Comments With Cap
 Product Literature Order No 987650-1991
 Product Name Milli-Grid™

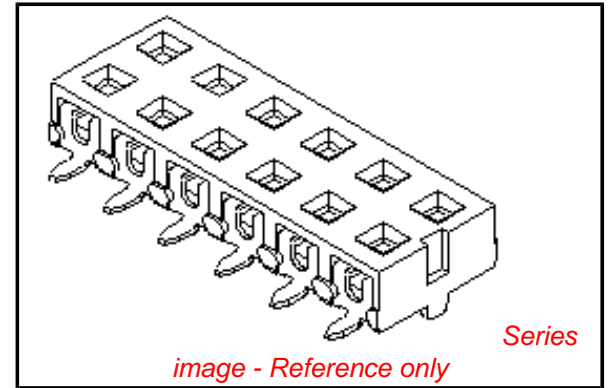
Physical

Circuits (Loaded) 18
 Color - Resin Black
 Durability (mating cycles max) 25
 Flammability 94V-0
 Glow-Wire Compliant No
 Lock to Mating Part Yes
 Material - Metal Phosphor Bronze
 Material - Plating Mating Gold
 Material - Plating Termination Tin
 Material - Resin High Temperature Thermoplastic
 Number of Rows 2
 Orientation Vertical
 PCB Locator Yes
 PCB Retention None
 PCB Thickness Recommended (mm) 0.80 mm
 Packaging Type Tube
 Pitch - Mating Interface (in) 0.079 In
 Pitch - Mating Interface (mm) 2.00 mm
 Plating min: Mating (µin) 30
 Plating min: Mating (µm) 0.76
 Plating min: Termination (µin) 76
 Plating min: Termination (µm) 1.9
 Polarized to Mating Part No
 Polarized to PCB No
 Surface Mount Compatible (SMC) N/A
 Temperature Range - Operating -55°C to +105°C
 Termination Interface: Style Surface Mount

Electrical

Current - Maximum per Contact 1A
 Voltage - Maximum 125V

Material Info



EU RoHS

ELV and RoHS Compliant
REACH SVHC
 Not Reviewed
Halogen-Free Status
Not Reviewed

China RoHS



Need more information on product environmental compliance?

Email productcompliance@molex.com
 For a multiple part number RoHS Certificate of Compliance, [click here](#)

Please visit the [Contact Us](#) section for any non-product compliance questions.

Search Parts in this Series

[87340Series](#)

Mates With

[87759](#) Vertical, Surface Mount, Stackable PCB Headers, [87760](#) Right Angle, Through Hole, Stackable PCB Headers, [87758](#) Vertical, Through Hole, Stackable PCB Headers

Reference - Drawing Numbers

Sales Drawing

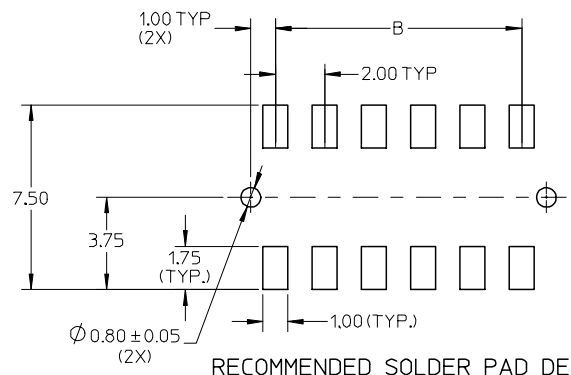
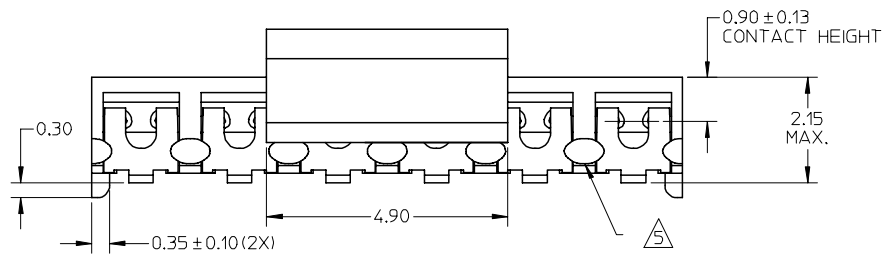
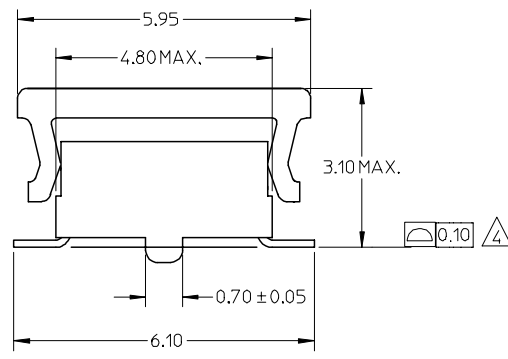
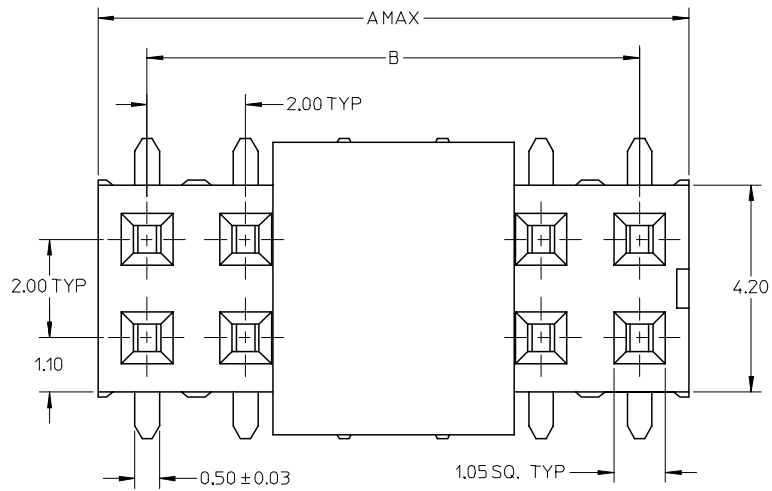
SD-87340-**94

This document was generated on 05/03/2010

PLEASE CHECK WWW.MOLEX.COM FOR LATEST PART INFORMATION

10 9 8 7 6 5 4 3 2 1

PART NUMBER W/CAP IN TUBE	CKT. SIZE	DIM. A	DIM. B
87340-0497	4	4.00	2.00
87340-0697	6	6.00	4.00
87340-0897	8	8.00	6.00
87340-1097	10	10.00	8.00
87340-1297	12	12.00	10.00
87340-1497	14	14.00	12.00
87340-1697	16	16.00	14.00
87340-1897	18	18.00	16.00
87340-2097	20	20.00	18.00



RECOMMENDED SOLDER PAD DESIGN

NOTES:

- FOR ILLUSTRATION PURPOSES, DRAWING SHOWS PART WITH 12 CIRCUIT SIZE.
- MATERIAL:
HOUSING & CAP:
HIGH TEMPERATURE THERMOPLASTIC, UL RATED 94V-0 SUITABLE FOR SURFACE-MOUNT SOLDERING PROCESS. COLOR BLACK
TERMINAL: PHOSPHOR BRONZE ALLOY.
- PLATING- 0.76µM MINIMUM GOLD PLATE AT CONTACT AREA, AND 1.90µM MINIMUM TIN PLATE AT P.C TAIL AREA, BOTH OVER 1.27µM MINIMUM NICKEL OVERALL.
- COPLANARITY OF P.C TAIL TO BE MEASURED BY RESTING THE PART ON A FLAT GAGE SURFACE.
- THIS AREA OF PART TO BE HEAT-STAKED TO RETAIN CONTACTS.
- POSITION OF CAP TO BE LOCATED AT CENTER OF DIMENSION "A" REGARDLESS OF CIRCUIT SIZE.
- PRODUCT SPECIFICATION PS-87340 APPLIES.
- PART TO BE PACKAGED IN TAPE-&-REEL. SEE SHEET 2 FOR PACKAGING DETAILS.
- CONTACT FACTORY FOR PARTS AVAILABILITY.

OBS TIN/LEAD P/N	2006/04/03
EC NO: S2006-0732	2006/04/04
DRWN:MLONG	2006/04/04
CHKD:NAGESHKN	2006/04/05
APPR:PTLIM	2006/04/05

QUALITY SYMBOLS	DESCRIPTION
▽=0	
▽=0	

GENERAL TOLERANCES (UNLESS SPECIFIED)	
mm	INCH
4 PLACES ± ---	± ---
3 PLACES ± ---	± ---
2 PLACES ± 0.20	± ---
1 PLACE ± ---	± ---
ANGULAR ± 3 °	
DRAFT WHERE APPLICABLE MUST REMAIN WITHIN DIMENSIONS	

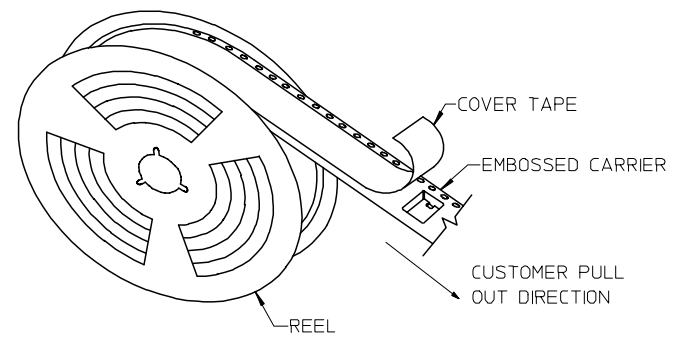
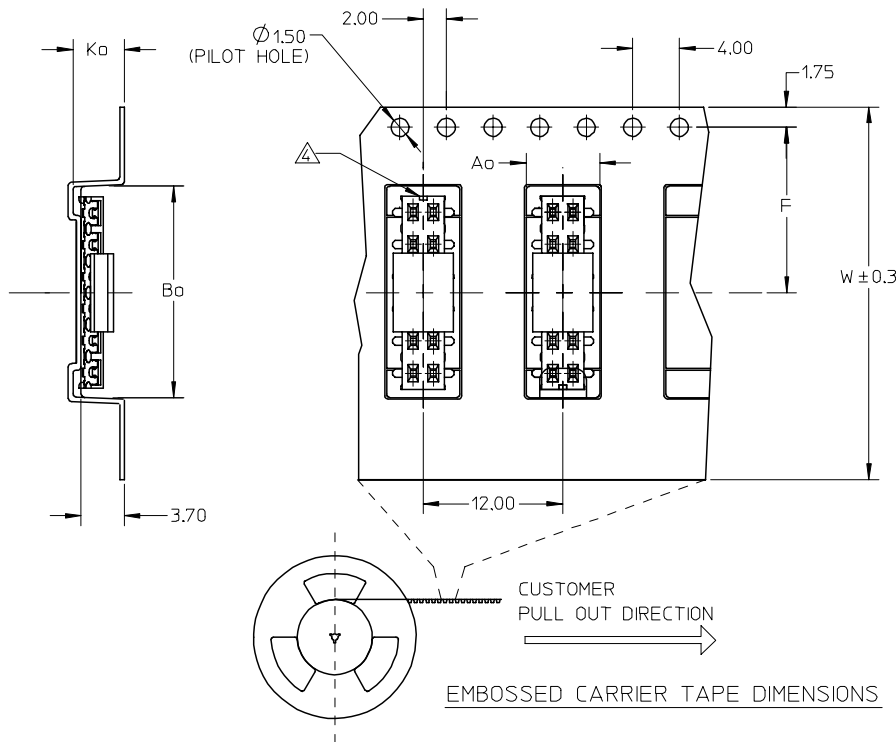
DIMENSION STYLE	
MM ONLY	
DRAWN BY	DATE
DS0H	1997/06/19
CHECKED BY	DATE
KCLING	1997/06/25
APPROVED BY	DATE
SKTOH	1997/06/27
MATERIAL NO.	
SEE TABLE	

SCALE	DESIGN UNITS	THIRD ANGLE PROJECTION
NTS	METRIC	☉
TITLE		
MGRID, VLPR II TOP ENTRY RECEPT., SMT W/CAP FOR PICK-&-PLACE		
MOLEX INCORPORATED		
DOCUMENT NO.		SHEET NO.
SD-87340-**94		1 OF 2
SIZE		
A3 THIS DRAWING CONTAINS INFORMATION THAT IS PROPRIETARY TO MOLEX INCORPORATED AND SHOULD NOT BE USED WITHOUT WRITTEN PERMISSION		

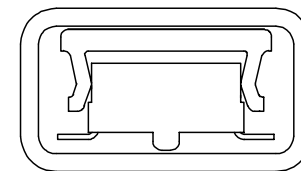
9 8 7 6 5 4 3 2 1

10 9 8 7 6 5 4 3 2 1

PART NUMBER W/CAP IN TAPE/REEL	CKT. SIZE	A ₀	B ₀	F	W	K ₀
87340-0498	4	6.70	5.30	11.50	24.00	5.30
87340-0698	6	6.50	6.50	7.50	16.00	4.50
87340-0898	8	6.70	8.40	11.50	24.00	5.30
87340-1298	12	6.60	12.40	11.50	24.00	4.40
87340-1498	14	6.60	14.30	11.50	24.00	4.40
87340-1698	16	6.60	16.30	11.50	24.00	4.40
87340-2098	20	6.70	20.50	20.20	44.00	5.30



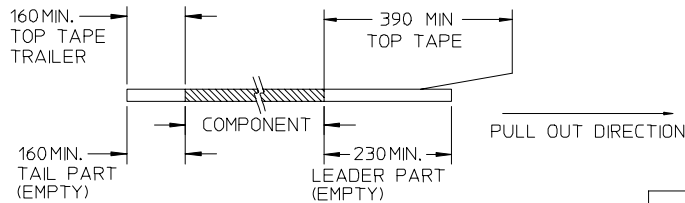
TAPE AND REEL ASSEMBLY SHOWN IS FOR ILLUSTRATION ONLY.



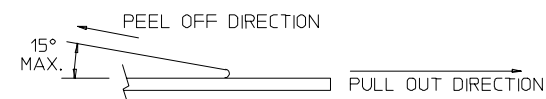
PART IN TUBE VIEW

NOTES:

1. LEADER AND TRAILER TAPE



2. PEELING OFF FORCE OF THE TOP TAPE: 20-80gf.
(PEELING DIRECTION AS SHOWN IN FOLLOWING FIGURE)



3. PACKAGING STANDARD IS AS PER EIA-481.

△ NO FIX ORIENTATION OF ASSEMBLY PART IN T&R.

OBS EC NO: S2006-0732 DRWN:MLONG CHKD:NGESHKN APPR:PTLIM	P/N 2006/04/03 2006/04/04 2006/04/05	QUALITY
		SYMBOLS
		▽=0
		△=0
REV	DESCRIPTION	
D		

	GENERAL TOLERANCES (UNLESS SPECIFIED)	
	mm	INCH
4 PLACES	± ---	± ---
3 PLACES	± ---	± ---
2 PLACES	± 0.20	± ---
1 PLACE	± ---	± ---
ANGULAR ± 3 °		
DRAFT WHERE APPLICABLE MUST REMAIN WITHIN DIMENSIONS		

DIMENSION STYLE MM ONLY		SCALE NTS	DESIGN UNITS METRIC	THIRD ANGLE PROJECTION
DRAWN BY	DATE	TITLE		
DSOH	1997/06/19	MGRID, VLPR II TOP ENTRY RECEPT., SMT W/CAP FOR PICK-&-PLACE		
CHECKED BY	DATE			
KCLING	1997/06/25	MOLEX INCORPORATED		
APPROVED BY	DATE			
SKTOH	1997/06/27	DOCUMENT NO.		SHEET NO.
MATERIAL NO.		SD-87340-**94		2 OF 2
SIZE	THIS DRAWING CONTAINS INFORMATION THAT IS PROPRIETARY TO MOLEX INCORPORATED AND SHOULD NOT BE USED WITHOUT WRITTEN PERMISSION			
A3				

9 8 7 6 5 4 3 2 1