

PLEASE CHECK WWW.MOLEX.COM FOR LATEST PART INFORMATION

Part Number: [0986151001](#)
Status: **Active**
Overview: [mox crimp terminals](#)
Description: 2.54mm (.100") Pitch MOX Female Housing, 64 Circuits, Dual Row, for Flex Foil Terminals, Black

Documents:

[Drawing \(PDF\)](#) [RoHS Certificate of Compliance \(PDF\)](#)

General

Product Family	Crimp Housings
Series	98615
Overview	mox crimp terminals
Product Name	MOX

Physical

Circuits (maximum)	64
Color - Resin	Black, Natural
Gender	Female
Glow-Wire Compliant	No
Keying to Mating Part	None
Lock to Mating Part	Yes
Material - Resin	Nylon, Polyester, Polyester Alloy
Number of Rows	2
Packaging Type	Tray
Panel Mount	No
Pitch - Mating Interface (in)	0.100 In
Pitch - Mating Interface (mm)	2.54 mm
Pitch - Term. Interface (in)	0.100 In
Pitch - Term. Interface (mm)	2.54 mm
Polarized to Mating Part	Yes
Stackable	No
Temperature Range - Operating	-40°C to +85°C

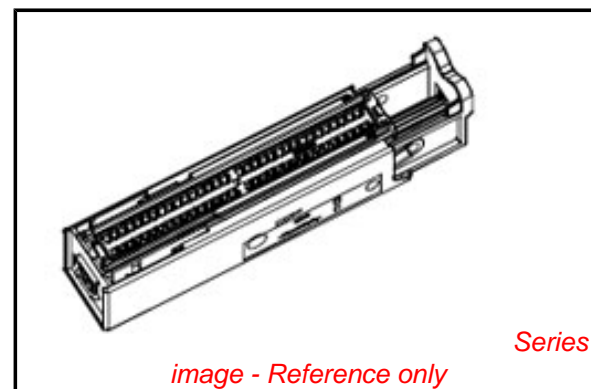
Electrical

Current - Maximum per Contact	6A
-------------------------------	----

Material Info

Reference - Drawing Numbers

Packaging Specification	PP-98615-001
Product Specification	RPS-98615-001
Sales Drawing	SD-98615-004



EU RoHS

ELV and RoHS Compliant
REACH SVHC
 Not Reviewed
Halogen-Free Status
 Not Reviewed

China RoHS



Need more information on product environmental compliance?

Email productcompliance@molex.com
 For a multiple part number RoHS Certificate of Compliance, [click here](#)

Please visit the [Contact Us](#) section for any non-product compliance questions.

Search Parts in this Series

[98615Series](#)

Mates With

[98580](#) Wire Cap, [98599](#) Header

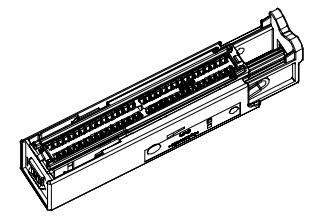
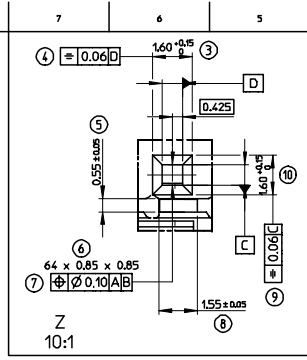
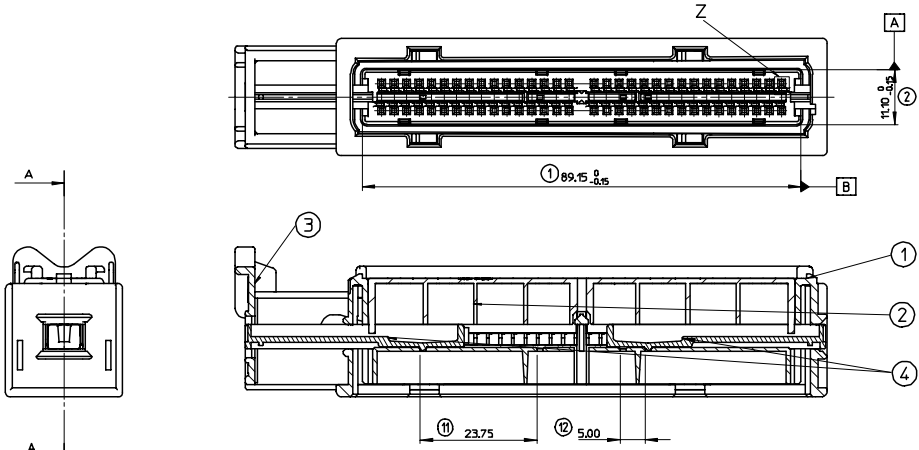
Use With

[98194](#) MOX FFC/FPC Crimp Terminal

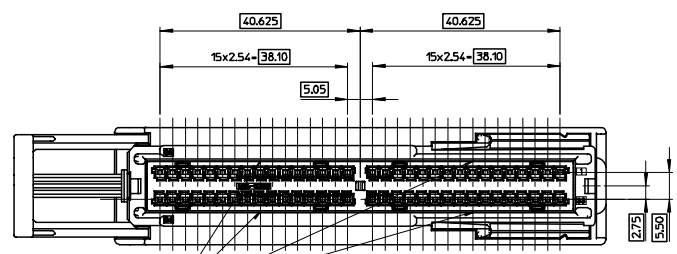
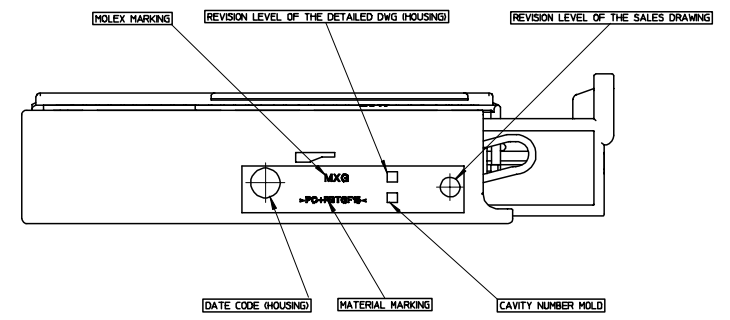
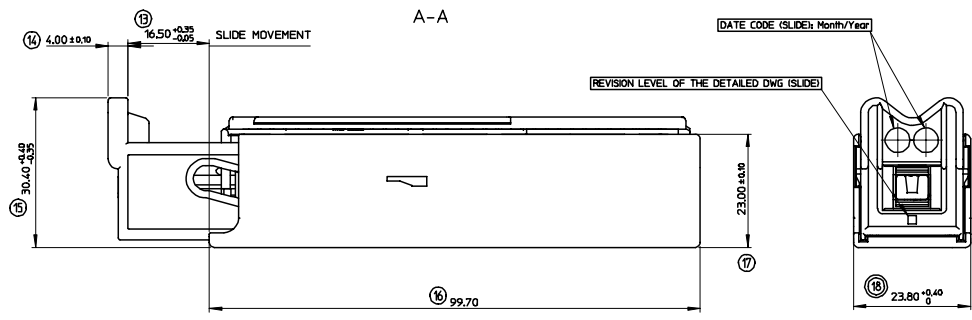
20 19 18 17 16 15 14 13 12 11 10 9 8 7 6 5 4 3 2 1

H
L
K
J
I
H
G
F
E
D
C
B
A

H
L
K
J
I
H
G
F
E
D
C
B
A



VIEW SCALE 1 : 1



	MOLEX PART NUMBER	PART WEIGHT
WIRE VERSION	0986151002	36.810 g
FLEX VERSION	0986151001	36.350 g

THE SHOWN VERSION IS THE WIRE ONE.

POS.	Qty	MOLEX PART NUMBER	DESIGNATION	MATERIAL	COLOR
4	2	0986180001	Max TPA PBT Grn 64Ckt	>PBT-GF30<	GREEN
3	1	0986170001	Max Slide Pos6.6 Gry 64Ckt	>PA6.6-GF30<	GRAY
2	1	0986160002	Max Rcpt Top Hsg Wire PBT Gry 64Ckt	>PBT-GF20<	GRAY
		0986160001	Max Rcpt Top Hsg FFC PBT Blk 64Ckt		BLACK
1	1	0986150001	Max Rcpt Bltn Hsg PC/PBT Blk 64Ckt	>PBT-PC-GF15<	BLACK

PARTS LIST

SPECIFICATION FILE
APPLICATION SPECIFICATION N°: RAS-98615-001

OPERATING TEMPERATURE
-40°C / +85°C

FORCES	
SLIDE RETENTION IN OPEN POSITION	F > 50 N
CONNECTOR MATING FORCE WITH ACTION ON SLIDE	F < 80 N
CONNECTOR UNMATING FORCE WITH ACTION ON SLIDE (SLIDE LOCKING INACTIVE)	F < 80 N
RETENTION OF SECONDARY LOCKING IN PRE-LOCKED POSITION	F < 40 N

ASSOCIATED PARTS		
DESIGNATION	FLEX	USE WITH:
MOX 0.64 TERMINAL		98194
	WIRES	98658

FIRST RELEASE
EC No: G2007-0264
DRAWING: GRANDCL2007/02/13
CHKD: MANDRE 2007/03/07
APPR: LSTICKEIR2007/03/08

GENERAL TOLERANCES (UNLESS SPECIFIED)

	mm	INCH
4 PLACES	± 0.10	± 0.004
3 PLACES	± 0.15	± 0.006
2 PLACES	± 0.20	± 0.008
1 PLACE	± 0.25	± 0.010
ANGULAR ± 1°		

DRAFT WHERE APPLICABLE
MUST REMAIN WITHIN DIMENSIONS

SCALE 2:1 DESIGN UNITS METRIC DIMENSION STYLE MM ONLY

FIRST ANGLE PROJECTION REVISION ON CAD ONLY

TITLE: FEMALE 64 WAY CONNECTOR SALES DRAWING

APPROVED BY DATE: WMORITZ 2001/11/21

CHECKED BY DATE: LSTICKEI 2001/11/21

DRAWN BY DATE: MANDRE 2001/11/21

MOLEX INCORPORATED

SEE CHART ISD-98615-004

THIS DRAWING CONTAINS INFORMATION THAT IS PROPRIETARY TO MOLEX INCORPORATED AND SHOULD NOT BE USED WITHOUT WRITTEN PERMISSION