

PLEASE CHECK WWW.MOLEX.COM FOR LATEST PART INFORMATION

Part Number: **0508557512**
Status: **Active**
Description: Ring Tongue Terminal for 12 AWG, Closed Uninsulated Brazed Barrel, Stud Size M10, Oxygen-Free Copper, Length 25.00mm (.984")

Documents:

[Drawing \(PDF\)](#) [Product Specification PS-50855-004 \(PDF\)](#)
[Product Specification PS-50855-002 \(PDF\)](#) [RoHS Certificate of Compliance \(PDF\)](#)

Agency Certification

UL E134962

General

Product Family Ring and Spade Terminals
 Series 50855
 Crimp Quality Equipment Yes
 Mil-Spec N/A
 Product Name R (Ring)
 Type Ring

Physical

Barrel Type Closed - Brazed
 Insulation None
 Material - Plating Mating Tin
 Packaging Type Bag
 Plating min: Mating (µin) 40
 Plating min: Mating (µm) 1
 Plating min: Termination (µin) 40
 Plating min: Termination (µm) 1
 Stud Size M10
 Termination Interface: Style Crimp or Compression
 Wire Size AWG 12
 Wire Size mm² 2.63 - 4.60

Material Info

Reference - Drawing Numbers

Product Specification PS-50855-002, PS-50855-004
 Sales Drawing SD-50855-001



*Series
image - Reference only*

EU RoHS

**ELV and RoHS
Compliant**
REACH SVHC
 Not Reviewed
**Halogen-Free
Status**
Not Reviewed

China RoHS



**Need more information on product
environmental compliance?**

Email productcompliance@molex.com
 For a multiple part number RoHS Certificate of Compliance, [click here](#)

Please visit the [Contact Us](#) section for any non-product compliance questions.

Search Parts in this Series

50855Series

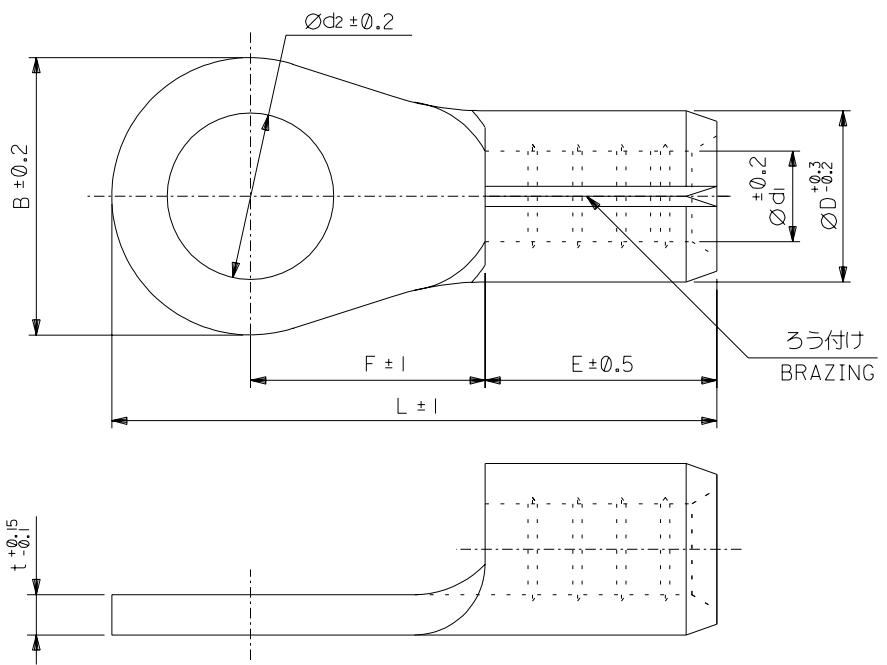
Application Tooling | [FAQ](#)

Tooling specifications and manuals are found by selecting the products below. Crimp Height Specifications are then contained in the Application Tooling Specification document.

Japan

Description	Product #
Hand Crimper For JIS Terminal	0572575000
Air Type Hand Crimper For JIS Terminal	0573439005

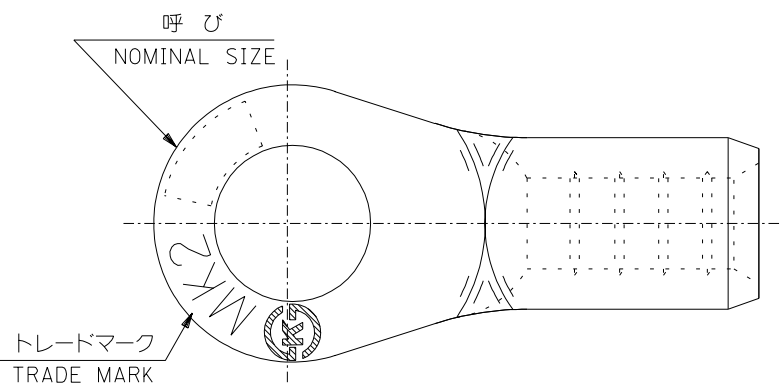
DWG. NO.
SD-50855-001



注記 NOTES

- 材質 MATERIAL
端子: 無酸素銅、スズメッキ
TERMINAL: OXYGEN FREE COPPER, TIN PLATING
ろう付け部: リン銅ろう
PART OF BRAZING: COPPER PHOSPHORUS BRAZING FILLER METALS
- 適用電線 APPLICABLE WIRE RANGE

単線 SOLID WIRE	撚線 STRANDED WIRE
1.82-2.4 mm	2.63-4.6 mm ²



1	3	5	5.3	12.5	25	14.5	10.5	3.5	10	50855-7512
				10.5	21.8	12	8.4		8	-7412
				8.3	17.8	8.5	6.4		6	-7312
							5.3		5	-7212
							4.3		4	-7112
							3.2		3	50855-7012
t	Ød1	ØD	E	F	L	B	Ød2	呼 び NOMINAL SIZE	MATERIAL NO.	

DO NOT SCALE DRAWING

64 NO. DRAWN: CH'K: APPR:	63 NO. DRAWN: CH'K: APPR:	62 NO. DRAWN: CH'K: APPR:	61 NO. DRAWN: CH'K: APPR:	RELEASED 60 NO. J2004-0411 DRAWN: T.KAIHO 03/09/03 CH'K: T.ITO APPR: TO.YAMAGUCHI	MATERIAL 材料 注記参照 SEE NOTES	GENERAL TOLERANCES: (UNLESS SPECIFIED) 一般公差	SCALE 1:1	DESIGN UNITS <input checked="" type="checkbox"/> mm <input type="checkbox"/> INCH	MODEL NO. 50855-7*12	DIMENSIONS: <input type="checkbox"/> mm <input type="checkbox"/> INCH <input checked="" type="checkbox"/> mm ONLY	SHT REV
					FINISH 仕上げ 注記参照 SEE NOTES	10 UNDER 未満 ±0.2 10 OVER 30 UNDER 未満 ±0.25 30 OVER 以上 ±0.3	DRAWN BY & DATE T.KAIHO 03/09/03	TITLE: RING TERMINAL(銅線用裸圧着端子)			
					WIRE RANGE 適用電線範囲 〃	ANGLE 角度 ±3°	APPROVED BY & DATE TO.YAMAGUCHI 03/09/03	MOLEX MOLEX INCORPORATED			
					INS. RANGE 被覆外径 〃		CAD FILENAME SD50855001.S01	MATERIAL NO. SEE CHART	DRAWING NO. SD-50855-001	SHEET NO. 1 OF 1	SIZE B

THIS DRAWING CONTAINS INFORMATION THAT IS PROPRIETARY TO MOLEX INCORPORATED AND SHOULD NOT BE USED WITHOUT WRITTEN PERMISSION.

SD-50855001.S01