

**PLEASE CHECK WWW.MOLEX.COM FOR LATEST PART INFORMATION**

**Part Number:** [0579196802](#)  
**Status:** **Active**  
**Description:** 2.29mm (.090") Tab Width Male Terminal, for AVS (CAVS) 0.85-1.25 mm<sup>2</sup>;

**Documents:**

[Drawing \(PDF\)](#) [RoHS Certificate of Compliance \(PDF\)](#)  
[Product Specification PS-35896-2090 \(PDF\)](#)

**General**

Product Family	Crimp Terminals
Series	<a href="#">57919</a>
Crimp Quality Equipment	Yes
Product Name	N/A

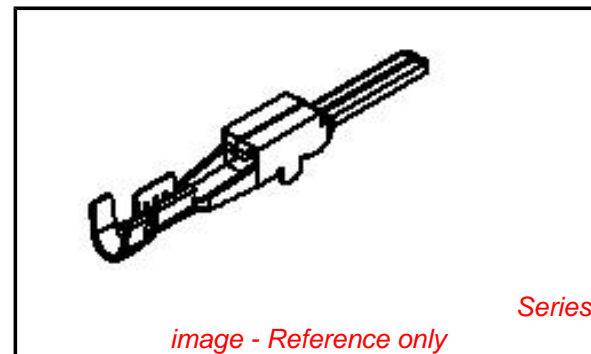
**Physical**

Gender	Male
Material - Metal	Brass
Material - Plating Mating	Tin
Material - Plating Termination	Tin
Packaging Type	Reel
Termination Interface: Style	Crimp or Compression
Wire Insulation Diameter	2.90mm (.115") max.
Wire Size AWG	16, 18
Wire Size mm <sup>2</sup>	AVS (CAVS) 0.85, AVS (CAVS) 1.25

**Material Info**

**Reference - Drawing Numbers**

Packaging Specification	PK-57919-003
Product Specification	PS-35896-2090
Sales Drawing	SD-57919-002



**EU RoHS**

**ELV and RoHS  
Compliant**  
**REACH SVHC  
Contains SVHC: No  
Halogen-Free  
Status  
Halogen-Free**

**China RoHS**



**Need more information on product  
environmental compliance?**

Email [productcompliance@molex.com](mailto:productcompliance@molex.com)  
 For a multiple part number RoHS Certificate of Compliance, [click here](#)

Please visit the [Contact Us](#) section for any non-product compliance questions.

**Search Parts in this Series**

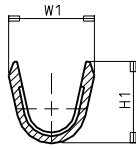
[57919Series](#)

**Use With**

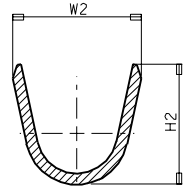
[35897-2490](#)

DWG. NO. SD-57919-002  
 PROJECT NO. SIMILAR ITEM  
 DO NOT SCALE DRAWING DIMENSION IN METRIC

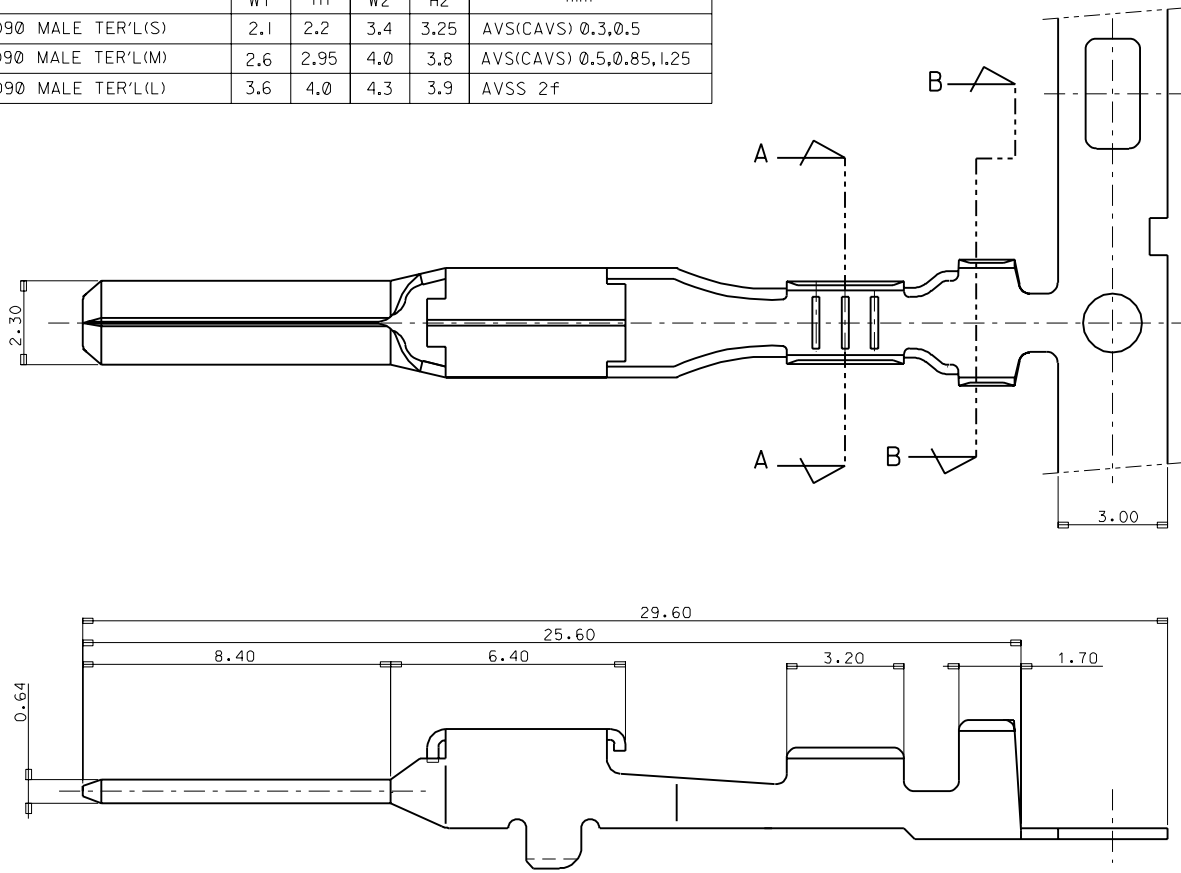
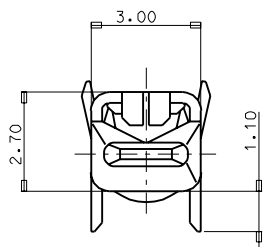
ENG.NO	MATERIAL NO.	DESCRIPTION	DIMENSION				WIRE RANGE mm <sup>2</sup>
			W1	H1	W2	H2	
57919-6702	579196702	.090 MALE TER'L(S)	2.1	2.2	3.4	3.25	AVS(CAVS) 0.3,0.5
57919-6802	579196802	.090 MALE TER'L(M)	2.6	2.95	4.0	3.8	AVS(CAVS) 0.5,0.85,1.25
57919-6902	579196902	.090 MALE TER'L(L)	3.6	4.0	4.3	3.9	AVSS 2f



SECTION A-A



SECTION B-B



NOTE

- MATERIAL: BRASS, + $\pm 0.3 \pm 0.02$
- FINISH: PRE-TIN PLATED

RELEASE TO MANUFACTURING EC NO. DRWN:H.C.RHO 00/07/25 CHK: B.K.CHOI APPR: C.W.LEE	QUALITY SYMBOLS MAJOR = 0 CRITICAL = 0	GENERAL TOLERANCES: (UNLESS SPECIFIED)		SCALE 8:1	DESIGN UNITS <input checked="" type="checkbox"/> mm <input type="checkbox"/> INCH	DIMENSIONS: <input type="checkbox"/> mm <input type="checkbox"/> INCH <input checked="" type="checkbox"/> mm ONLY	SHT 1 REV	
		4 PLACES $\pm 0.$ mm $\pm$ INCH	3 PLACES $\pm 0.$ mm $\pm$ INCH	2 PLACES $\pm 0.30$ mm $\pm$ INCH	1 PLACE $\pm 0.30$ mm $\pm$ INCH	DRAWN BY & DATE H.C.RHO 00/07/25	TITLE: .090 MALE TERMINAL	
		ANGULAR: $\pm 1.0^\circ$				CHECKED BY & DATE B.K.CHOI 00/07/25	APPROVED BY & DATE C.W.LEE 00/07/25	
		DRAFT WHERE APPLICABLE MUST REMAIN WITHIN DIMENSIONS				CAD FILENAME	MATERIAL NO. SEETABLE	DRAWING NO. SD-57919-002
THIS DRAWING CONTAINS INFORMATION THAT IS PROPRIETARY TO MOLEX INCORPORATED AND SHOULD NOT BE USED WITHOUT WRITTEN PERMISSION.		SIZE B		MOLEX INCORPORATED KOREA				