



EIM1314-4

ISSUED DATE: 11/02/2007

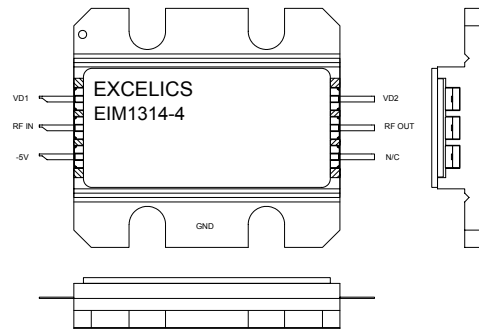
13.75-14.50GHz Multi-Stage Power Amplifier

FEATURES

- 13.75– 14.50GHz Operating Frequency Range
- 35.0dBm Output Power at 1dB Compression
- 27.0 dB Typical Power Gain @1dB gain compression
- -43dBc Typical OIM3 @ each tone Pout 22.0dBm
- Non-Hermetic Metal Flange Package

APPLICATIONS

- Point-to-point and point-to-multipoint radio
- Military Radar Systems



Caution! ESD sensitive device.

ELECTRICAL CHARACTERISTICS (Tb = 25 °C, 50 ohm, VD1=7V, VD2=10V, Vgg=-5V)

SYMBOL	PARAMETER/TEST CONDITIONS	MIN	TYP	MAX	UNITS
F	Operating Frequency Range	13.75		14.50	GHz
P1dB	Output Power at 1dB Gain Compression	34.0	35.0		dBm
G1dB	Gain @1dB gain compression	23	27		dB
OIMD3	Output 3 rd Order Intermodulation Distortion @Δf=10MHz, Each Tone Pout 22.0dBm		-43	-40	dBc
Input RL	Input Return Loss		-12	-8	dB
Output RL	Output Return Loss		-15	-10	dB
VD1	Drain Supply Voltage 1		7		V
VD2	Drain Supply Voltage 2		10		V
I_{DQ1}	Quiescent Drain Current 1		380		mA
I_{DQ2}	Quiescent Drain Current 2		1900	2300	mA
Vgg	Gate Supply Voltage		-5		V
R_{th}	Thermal Resistance		3.0		°C/W
ΔT_{ch}	Channel Temperature Rise	-30		80	°C

Note: Turn on/off sequence is required:

---to turn on: apply -5V on both Vgg first, then +7V and +10V.

---to turn off: turn +7V and +10V off first, then turn -5V off

Specifications are subject to change without notice.

Excelics Semiconductor, Inc. 310 De Guigne Drive, Sunnyvale, CA 94085

Phone: 408-737-1711 Fax: 408-737-1868 Web: www.excelics.com

page 1 of 3

Revised November 2007

ISSUED DATE: 11/02/2007

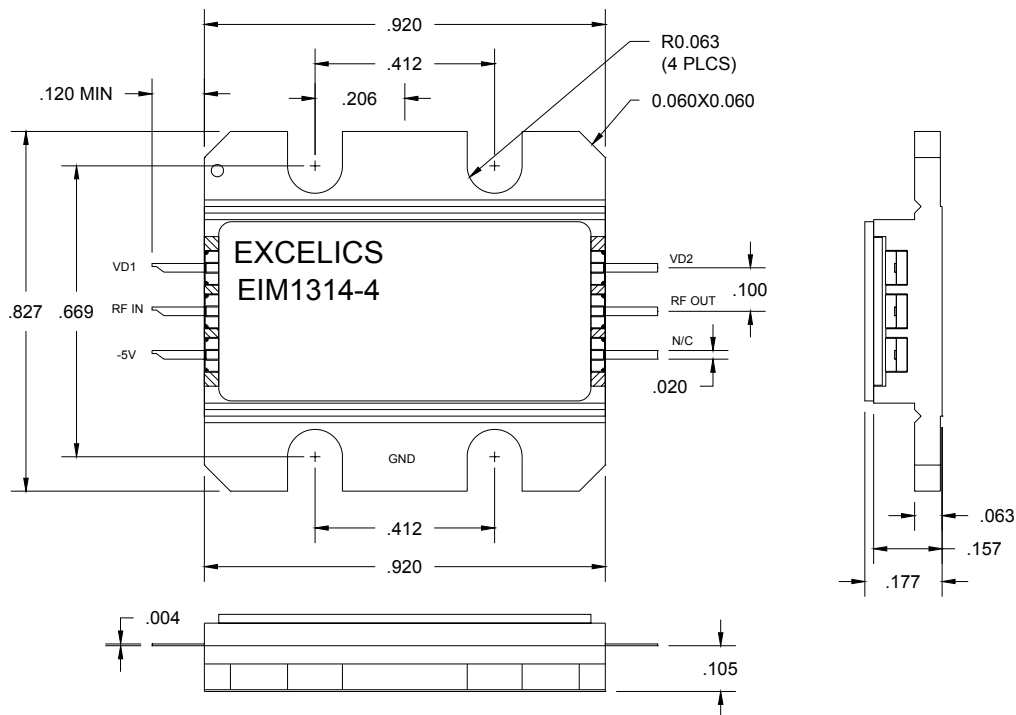
13.75-14.50GHz Multi-Stage Power Amplifier

MAXIMUM RATINGS @25°C^{1,2}

SYMBOL	CHARACTERISTIC	ABSOLUTE	CONTINUOUS ^{1,2}
V _{D1}	Drain Supply Voltage 1	12V	8V
V _{D2}	Drain Supply Voltage 2	14V	10V
V _{gg}	Gate Supply Voltage	-10V	-6 V
I _{gg}	Gate Current	150mA	50 mA
P _{IN}	Input Power	20dBm	@ 3dB compression
T _{CH}	Channel Temperature	175°C	175°C
T _{STG}	Storage Temperature	-65/175°C	-65/175°C
P _T	Total Power Dissipation	42W	42W

Notes: 1. Operating the device beyond any of the above rating may reduce MTTF and cause permanent damage.
 2. Bias conditions must also satisfy the following equation $V_{dd} \cdot I_{dd} < (T_{CH} - T_b) / R_{TH}$

Package Dimension and Pin Assignment



Dimensions are in inches
 * NC: No connection inside the package

Specifications are subject to change without notice.



EIM1314-4

ISSUED DATE: 11/02/2007

13.75-14.50GHz Multi-Stage Power Amplifier

DISCLAIMER

EXCELICS SEMICONDUCTOR RESERVES THE RIGHT TO MAKE CHANGES WITHOUT FURTHER NOTICE TO ANY PRODUCTS HEREIN TO IMPROVE RELIABILITY, FUNCTION OR DESIGN. EXCELICS DOES NOT ASSUME ANY LIABILITY ARISING OUT OF THE APPLICATION OR USE OF ANY PRODUCT OR CIRCUIT DESCRIBED HEREIN.

LIFE SUPPORT POLICY

EXCELICS SEMICONDUCTOR PRODUCTS ARE NOT AUTHORIZED FOR USE AS CRITICAL COMPONENTS IN LIFE SUPPORT DEVICES OR SYSTEMS WITHOUT THE EXPRESS WRITTEN APPROVAL OF EXCELICS SEMICONDUCTOR, INC.

AS HERE IN:

1. Life support devices or systems are devices or systems which, (a) are intended for surgical implant into the body, or (b) support or sustain life, or (c) whose failure to perform when properly used in accordance with instructions for use provided in the labeling, can be reasonably expected to result in significant injury to the user.
2. A critical component is any component of a life support device or system whose failure to perform can be reasonably expected to cause the failure of the life support device or system, or to affect its safety or effectiveness.

Specifications are subject to change without notice.

Excelics Semiconductor, Inc. 310 De Guigne Drive, Sunnyvale, CA 94085
Phone: 408-737-1711 Fax: 408-737-1868 Web: www.excelics.com

page 3 of 3
Revised November 2007