

PART NAME

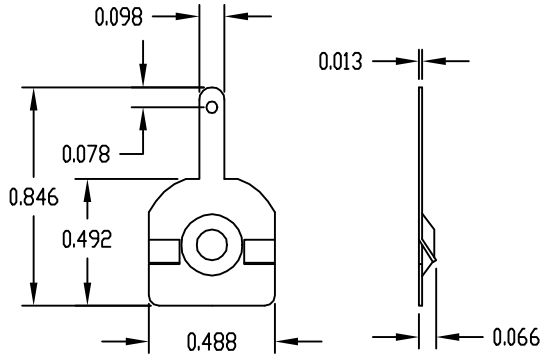
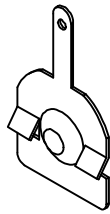
AA BATTERY CONTACT KIT

PART No.

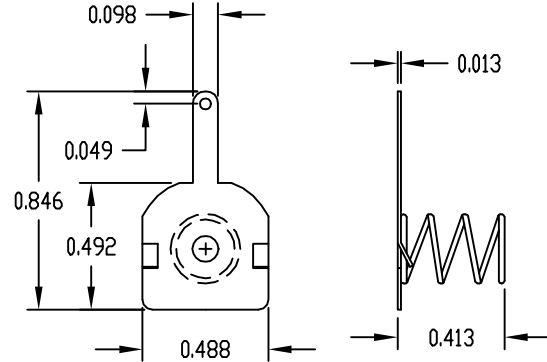
HH-3442-C

MATERIAL: STEEL

FINISH: NATURAL



POSITIVE CONTACT (QTY. 2)



NEGATIVE CONTACT (QTY. 2)

PART NAME

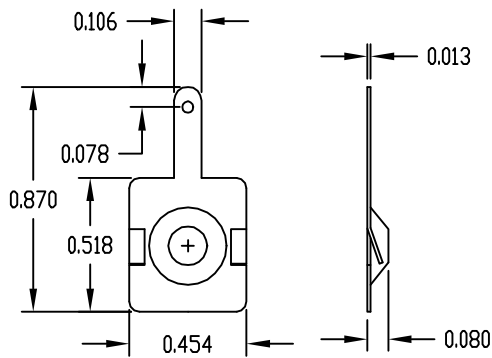
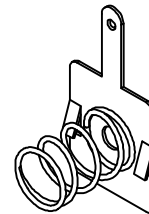
AA BATTERY CONTACT KIT

PART No.

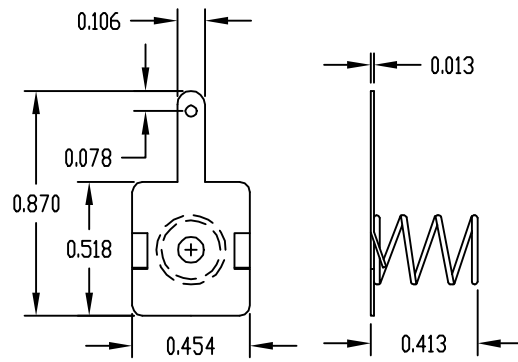
HH-3450-C

MATERIAL: STEEL

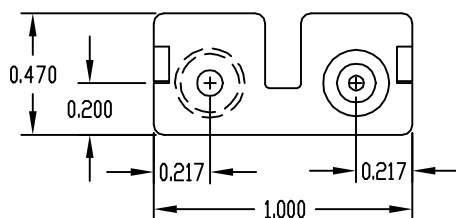
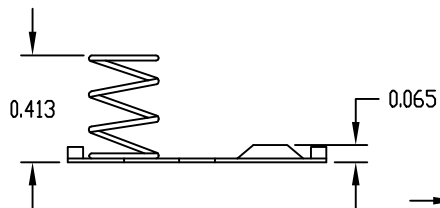
FINISH: NATURAL



POSITIVE CONTACT (QTY. 1)



NEGATIVE CONTACT (QTY. 1)



POSITIVE/NEGATIVE CONTACT (QTY. 1)

