

Ceramic Filters Low Spurious for TV/VCR Stage

**Token (LTS MCB/MDB) Ceramic Filter
is suitable for Multiplex Sound TV in America**



► Preview

Token series ceramic filters low spurious for TV/VCR stage LTS MCB/MDB series use thickness shear vibration mode and is compatible Murata SFSH MCB/MDB. Features with excellent spurious characteristics within Video Signal Band, and 3 types bandwidths prepared to respond customer requests. LTS MCB/MDB is suitable for Multiplex Sound TV in America.

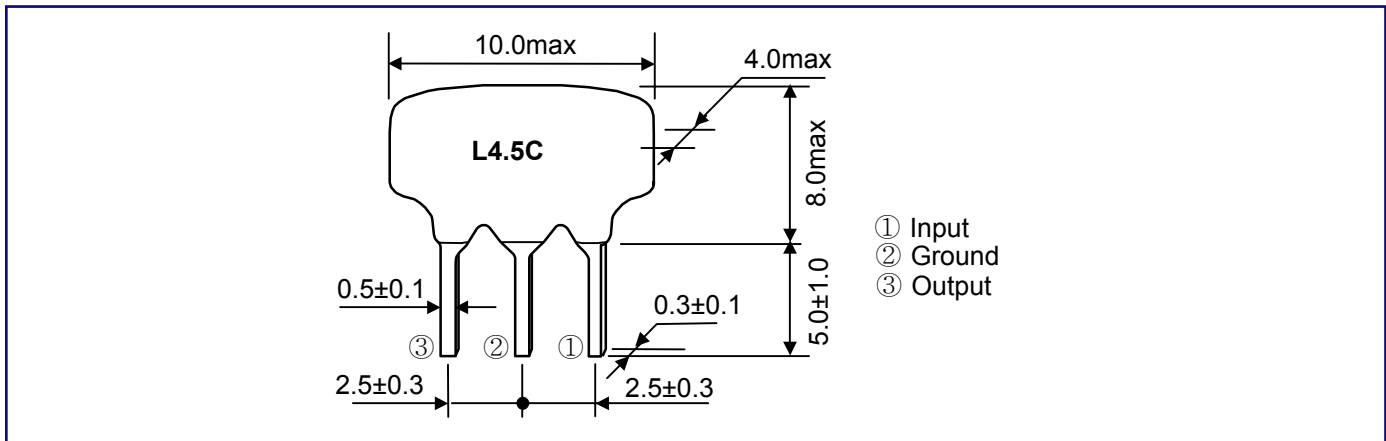
The LTS MCB/MDB series conform to the RoHS directive and Lead-free. This filter low spurious for TV/VCR stage LTS MCB/MDB series can be customized designs and tighter tolerances available on request.

Application of ceramic filter specific designs also available including different piezo band-pass devices and Q specifications adjusted to frequency requirements. Token ceramic filters can supply you high performance, high quality and stability.

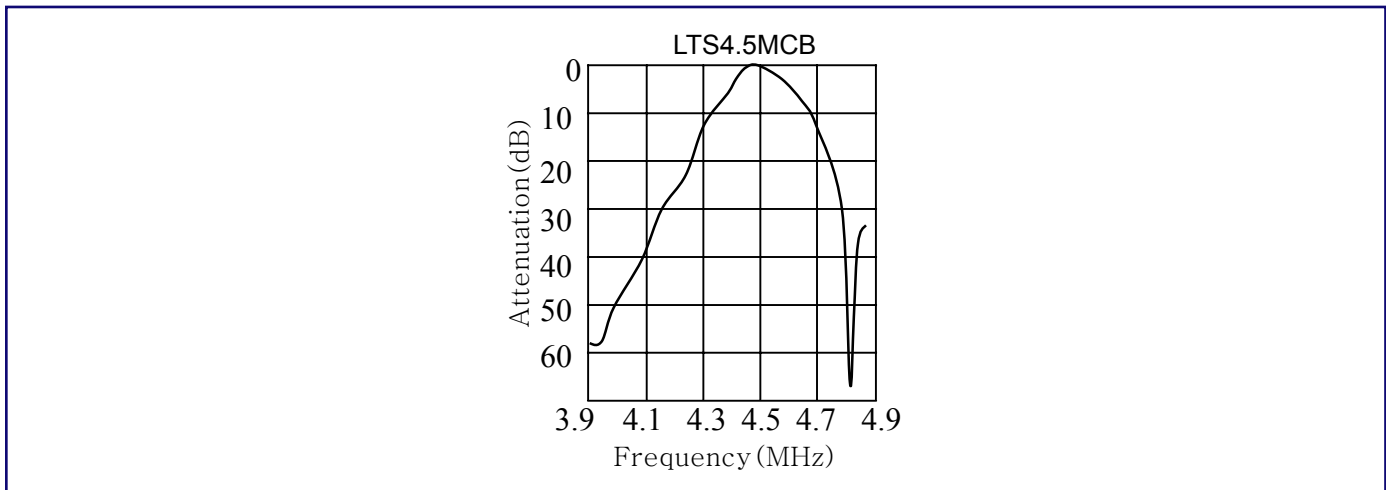
With dimensions max (10 x 8.0 x 4.0 mm), Insert Loss max 6dB, and Spurious Attenuation (0~fo) min 30dB, The LTS MCB/MDB has excellent spurious characteristics within Video Signal Band. Nominal Center Frequency (fo) is available with 4.500kHz, 5.500kHz, 6.000kHz, and 6.500kHz.

Custom parts are available on request. Token will also produce devices outside these specifications to meet specific customer requirements, please contact our sales for more information.

► Dimensions

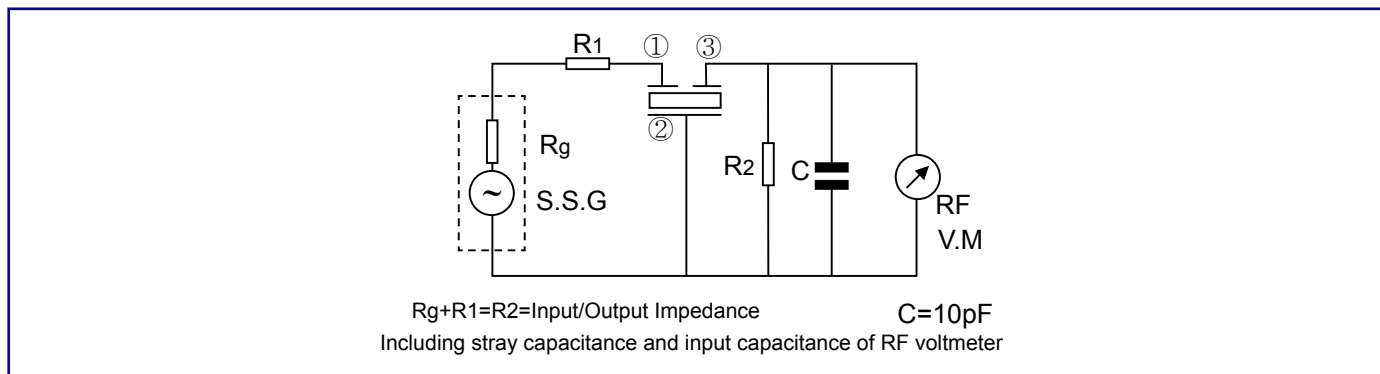


► Technical Characteristics



| Part Number | Nominal Center Frequency (fo) (MHz) | 3dB Band Width (kHz) min | 20dB Band Width (kHz) max | Insert Loss (dB) max | Spurious Attenuation (0~fo) (dB) min | Input/Output Impedance (Ω) |
|-------------|-------------------------------------|--------------------------|---------------------------|----------------------|--------------------------------------|----------------------------|
| LTS4.5MCB | 4.500 | fo±60 | 600 | 6.0 | 30 | 1000 |
| LTS4.5MDB | 4.500 | fo±70 | 750 | 6.0 | 30 | 1000 |
| LTS5.5MCB | 5.500 | fo±60 | 600 | 6.0 | 30 | 600 |
| LTS5.5MDB | 5.500 | fo±80 | 750 | 6.0 | 30 | 600 |
| LTS6.0MCB | 6.000 | fo±60 | 600 | 6.0 | 30 | 470 |
| LTS6.0MDB | 6.000 | fo±80 | 750 | 6.0 | 30 | 470 |
| LTS6.5MCB | 6.500 | fo±70 | 650 | 6.0 | 30 | 470 |
| LTS6.5MDB | 6.500 | fo±80 | 800 | 6.0 | 30 | 470 |

▶ Test Circuit



▶ How to Order

LTS4.5MCB

①

P

②

① Part Number

② Package

Back to 1st Page - Ceramic Filters Low Spurious for TV/VCR Stage - LTS MCB/MDB