

PLEASE CHECK WWW.MOLEX.COM FOR LATEST PART INFORMATION

Part Number: [0190670080](#)
Status: **Active**
Description: NylaKrimp™ Funnel Entry Ring Tongue Terminal for 4 AWG Wire, Stud #11

Documents:

[Drawing \(PDF\)](#) [RoHS Certificate of Compliance \(PDF\)](#)

Agency Certification

CSA LR18689
 UL E32244

General

Product Family Ring and Spade Terminals
 Series [19067](#)
 Crimp Quality Equipment Yes
 Mil-Spec N/A
 Product Name NylaKrimp™
 Type Ring

Physical

Barrel Type Closed - Brazed
 Flammability 94V-0
 Insulation Nylon (PA)
 Material - Plating Mating Tin
 Packaging Type Bag
 Plating min: Mating (µin) 100
 Plating min: Mating (µm) 2.5
 Plating min: Termination (µin) 100
 Plating min: Termination (µm) 2.5
 Stud Size 7/16" (M11)
 Termination Interface: Style Crimp or Compression
 Wire Insulation Diameter 12.95mm (.510") max.
 Wire Size AWG 4

Material Info

Old Part Number F-966-76

Reference - Drawing Numbers

Sales Drawing SD-19067-018



EU RoHS

ELV and RoHS Compliant
REACH SVHC Contains SVHC: No
Halogen-Free Status
Not Reviewed

China RoHS



Need more information on product environmental compliance?

Email productcompliance@molex.com
 For a multiple part number RoHS Certificate of Compliance, [click here](#)

Please visit the [Contact Us](#) section for any non-product compliance questions.

Search Parts in this Series

[19067Series](#)

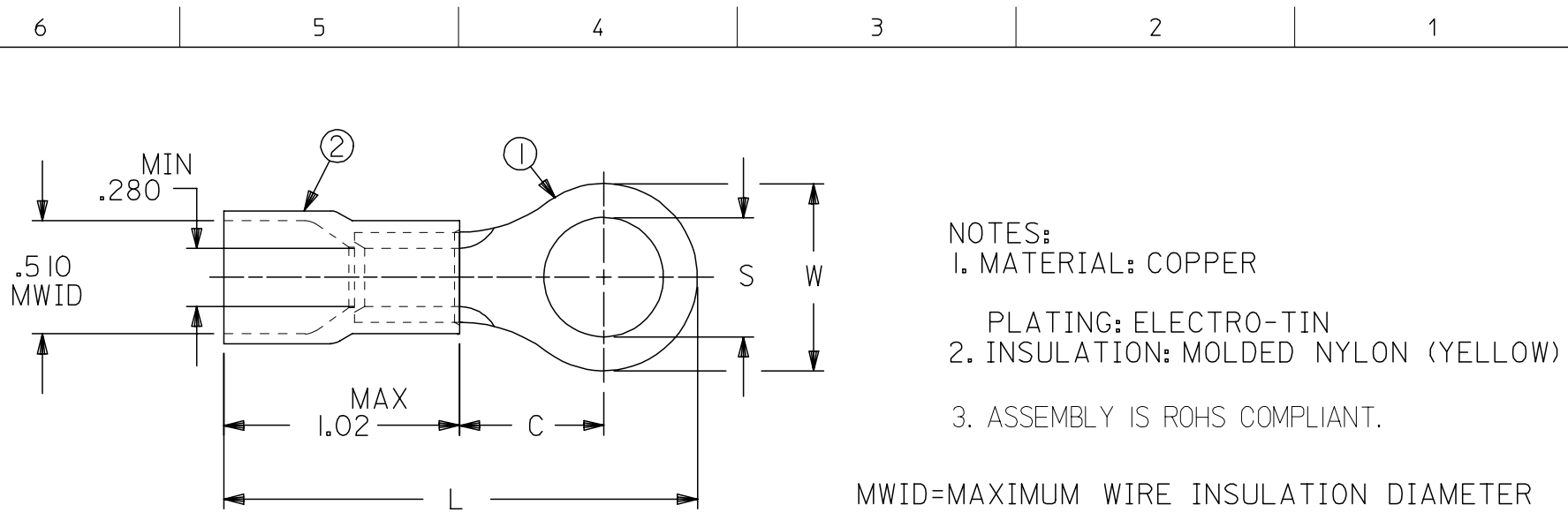
Application Tooling | [FAQ](#)

Tooling specifications and manuals are found by selecting the products below. Crimp Height Specifications are then contained in the Application Tooling Specification document.

Global

Description	Product #
Manual Putt Pump Hydraulic System, Die set required	0192860117
Die Set (large) for the HHLS Hydraulic Crimper	0192890007
Putt Pump Dieless Head System	0192860065
Hand Crimp Tool	0640013900

PLEASE CHECK WWW.MOLEX.COM FOR LATEST PART INFORMATION



NOTES:
 1. MATERIAL: COPPER
 PLATING: ELECTRO-TIN
 2. INSULATION: MOLDED NYLON (YELLOW)
 3. ASSEMBLY IS ROHS COMPLIANT.

MWID=MAXIMUM WIRE INSULATION DIAMETER

STUD SIZE	"S" ±.005
02	.094
04	.119
06	.146
08	.173
10	.198
14	.265
56	.328
38	.390
76	.453
12	.515
209	.209
413	.413

PART NUMBER	"W" ±.010	"C" MIN	"L" MAX	AVAILABLE STUD SIZES	THICKNESS REF
F-966-	.668	.520	1.95	209, 413, 10, 14, 56, 38, 76, 12	.067
F-967-	.475	.520	1.85	10, 14, 56	.067
F-969-	.885	.989	2.53	10, 14, 56, 38, 76, 12, 58	.070
F-970-	1.260	.989	2.72	14, 56, 38, 76, 12, 58, 34	.070

REDWIN W/REDUCED THICKNESS EC NO: ETC2007-0019 DRAWN: EHILE 2007/08/22 CHK'D: JMACNEIL 2007/09/11 APPR: JMACNEIL 2007/09/19	DESCRIPTION A	QUALITY SYMBOLS ▽=0 ▽=0	GENERAL TOLERANCES (UNLESS SPECIFIED)		DIMENSION STYLE INCH ONLY		SCALE ---	DESIGN UNITS INCH	THIRD ANGLE PROJECTION		
				mm	INCH	DRAWN BY RCM	DATE 1994/03/16	TITLE RING TONGUE TERMINAL, FUNNEL ENTRY NYLAKRIMP, 4 AWG			
			4 PLACES	± ---	± ---	CHECKED BY ---	DATE ---				
			3 PLACES	± ---	± ---	APPROVED BY ---		DATE ---	MOLEX INCORPORATED		
2 PLACES	± ---	± ---	MATERIAL NO. SEE CHART		DOCUMENT NO. SD-19067-018	SHEET NO. 1 OF 1					
1 PLACE	± ---	± ---	ANGULAR ± ---°		THIS DRAWING CONTAINS INFORMATION THAT IS PROPRIETARY TO MOLEX INCORPORATED AND SHOULD NOT BE USED WITHOUT WRITTEN PERMISSION						
DRAFT WHERE APPLICABLE MUST REMAIN WITHIN DIMENSIONS											