

PLEASE CHECK WWW.MOLEX.COM FOR LATEST PART INFORMATION

Part Number: **0190730012**
Status: **Active**
Description: Avikrimp™ Ring Tongue Terminal for 18 to 22 AWG Wire, Stud Size 6, Length 22.00mm (.866"), Mylar Tape Carrier

Documents:

[Drawing \(PDF\)](#) [RoHS Certificate of Compliance \(PDF\)](#)

Agency Certification

CSA LR18689
 UL E32244

General

Product Family Ring and Spade Terminals
 Series [19073](#)
 Crimp Quality Equipment Yes
 Mil-Spec N/A
 Product Name Avikrimp™
 Type Ring

Physical

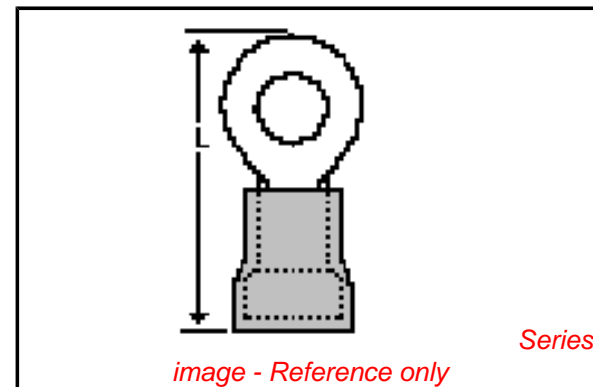
Barrel Type Closed
 Flammability 94V-0
 Insulation Nylon (PA)
 Material - Plating Mating Tin
 Packaging Type Adhesive Tape on Reel
 Plating min: Mating (µin) 100
 Plating min: Mating (µm) 2.5
 Plating min: Termination (µin) 100
 Plating min: Termination (µm) 2.5
 Stud Size 6 (M3.5)
 Wire Insulation Diameter 3.60mm (.142") max.
 Wire Size AWG 18, 20, 22
 Wire Size mm² 0.35 - 0.80

Material Info

Old Part Number AA-821-06T

Reference - Drawing Numbers

Sales Drawing SD-19073-002



EU RoHS

ELV and RoHS Compliant
REACH SVHC
 Not Reviewed
Halogen-Free Status
Not Reviewed

China RoHS



Need more information on product environmental compliance?

Email productcompliance@molex.com
 For a multiple part number RoHS Certificate of Compliance, [click here](#)

Please visit the [Contact Us](#) section for any non-product compliance questions.

Search Parts in this Series

[19073Series](#)

Application Tooling | [FAQ](#)

Tooling specifications and manuals are found by selecting the products below. Crimp Height Specifications are then contained in the Application Tooling Specification document.

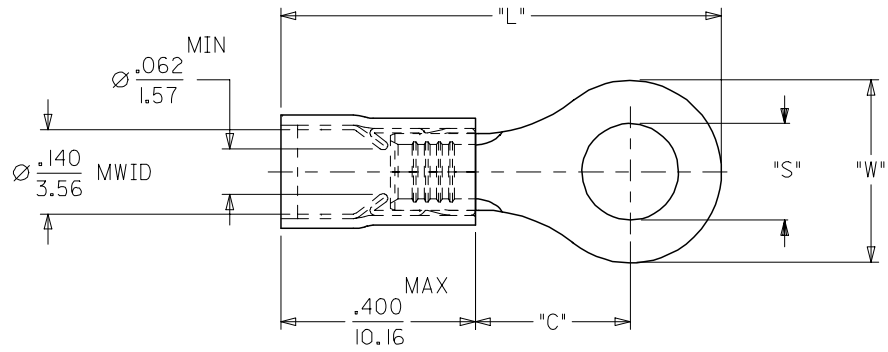
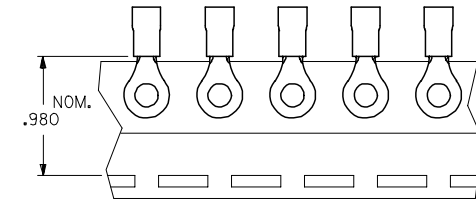
Global

Description	Product #
Crimp Dies for MTA-100 Tape Applicator used in 3BF Press, MTA-105 Tape Applicator used in TM-2000™ Press, and ATP-301 Air Crimping Press for Mylar Tape Mounted Terminals	0192880023
Mini-Mac™ Applicator	0638851300

This document was generated on 04/12/2010

PLEASE CHECK WWW.MOLEX.COM FOR LATEST PART INFORMATION

MATERIAL NUMBER	ALTERNATE NUMBER	STUD SIZE	"S"	"W"	⊕ "C" MIN	⊕ "L" MAX	PACKAGING
190730005	AA-820-02	2	.094/(2.38)	.23(5.7)	.16(4.0)	.71(18.0)	LOOSE PIECE
190730007	AA-820-04	4	.119/(3.02)	.23(5.7)	.16(4.0)	.71(18.0)	
190730009	AA-820-06	6	.146/(3.71)	.23(5.7)	.16(4.0)	.71(18.0)	
190730011	AA-821-06	6	.146/(3.71)	.31(7.9)	.27(6.9)	.87(22.0)	
190730013	AA-821-08	8	.173/(4.39)	.31(7.9)	.27(6.9)	.87(22.0)	
190730017	AA-821-10	10	.198/(5.03)	.31(7.9)	.27(6.9)	.87(22.0)	TAPE MOUNTED
190730020	AA-821-209	5MM	.209/(5.30)	.31(7.9)	.27(6.9)	.87(22.0)	
190730006	AA-820-02T	2	.094/(2.38)	.23(5.7)	.16(4.0)	.71(18.0)	
190730008	AA-820-04T	4	.119/(3.02)	.23(5.7)	.16(4.0)	.71(18.0)	
190730010	AA-820-06T	6	.146/(3.71)	.23(5.7)	.16(4.0)	.71(18.0)	
190730012	AA-821-06T	6	.146/(3.71)	.31(7.9)	.27(6.9)	.87(22.0)	
190730015	AA-821-08T	8	.173/(4.39)	.31(7.9)	.27(6.9)	.87(22.0)	
190730019	AA-821-10T	10	.198/(5.03)	.31(7.9)	.27(6.9)	.87(22.0)	
190730021	AA-821-209T	5MM	.209/(5.30)	.31(7.9)	.27(6.9)	.87(22.0)	



- NOTES:
 1. MATERIAL: COPPER
 PLATING: ELECTROPLATE TIN
 2. FERRULE: TIN-PLATED BRASS
 3. INSULATION: RED NYLON 94V2.
 4. MWID=MAXIMUM WIRE INSULATION DIA.
 5. ALL DIMENSIONS IN INCHES/(MM).
 6. ASSEMBLY IS ROHS COMPLIANT.

REV	DESCRIPTION
1	REV CHART DIM. C & L
2	EC NO: ETC2007-0223
3	DRW: NEHLE 2006/12/04
4	CHKD: JMACNEIL 2006/12/04
5	APPR: JMACNEIL 2006/12/06

QUALITY SYMBOLS
▽=0
▽=0

GENERAL TOLERANCES (UNLESS SPECIFIED)	
mm	INCH
4 PLACES ± .005	± .0005
3 PLACES ± .005	± .0005
2 PLACES ± 0.13	± .01
1 PLACE ± 0.25	± .01
ANGULAR ±1/2°	
DRAFT WHERE APPLICABLE MUST REMAIN WITHIN DIMENSIONS	

DIMENSION STYLE	
IN/MM	
DRAWN BY	DATE
HEB	2000/09/08
CHECKED BY	DATE
RWD	2000/09/08
APPROVED BY	DATE
RWD	2000/09/08
MATERIAL NO.	DOCUMENT NO.
SEE CHART	SD-19073-002
SIZE B	THIS DRAWING CONTAINS INFORMATION THAT IS PROPRIETARY TO MOLEX INCORPORATED AND SHOULD NOT BE USED WITHOUT WRITTEN PERMISSION

SCALE	DESIGN UNITS	THIRD ANGLE PROJECTION
4:1	INCH	
RING TONGUE TERMINAL AVIKRIMP 800 SERIES		
MOLEX INCORPORATED		
SHEET NO.		1 OF 1