

**PLEASE CHECK WWW.MOLEX.COM FOR LATEST PART INFORMATION**

**Part Number:** [0194320013](#)  
**Status:** **Active**  
**Overview:** [mx150l sealed connector system](#)  
**Description:** MX150L™ 2 Circuit Female Sealed Receptacle for 10-12 AWG Wire

**Documents:**

[3D Model](#) [Product Specification PS-19432-001 \(PDF\)](#)  
[Drawing \(PDF\)](#) [RoHS Certificate of Compliance \(PDF\)](#)

**Agency Certification**

CSA LR18689  
 UL E152602

**General**

Product Family Crimp Housings  
 Series [19432](#)  
 Comments Mat Seal Color is Yellow, Polarized to Mating Part  
 Overview [mx150l sealed connector system](#)  
 Product Literature Order No 987650-2181  
 Product Name MX150L™

**Physical**

Circuits (maximum) 2  
 Circuits Detail 1x1  
 Flammability 94V-0  
 Gender Female  
 Glow-Wire Compliant No  
 Keying to Mating Part N/A  
 Lock to Mating Part Yes  
 Number of Rows 1  
 Packaging Type Bag  
 Panel Mount No  
 Pitch - Mating Interface (in) 0.230 In  
 Pitch - Mating Interface (mm) 5.84 mm  
 Polarized to Mating Part Yes  
 Stackable No  
 Temperature Range - Operating -40°C to +125°C

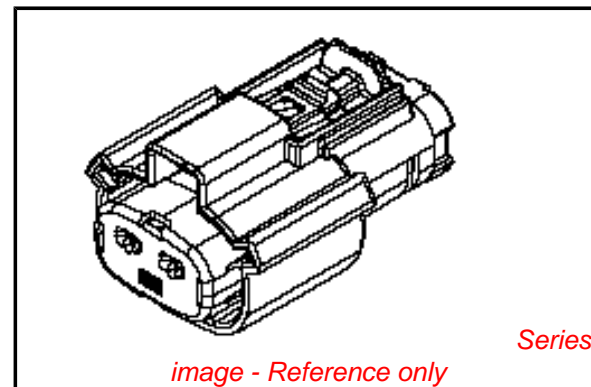
**Electrical**

Current - Maximum per Contact 18A

**Material Info**

**Reference - Drawing Numbers**

Packaging Specification PK-19432-001  
 Product Specification PS-19432-001  
 Sales Drawing SD-19432-001



**EU RoHS**

**ELV and RoHS Compliant**  
**REACH SVHC**  
 Not Reviewed  
**Halogen-Free Status**  
 Not Reviewed

**China RoHS**



**Need more information on product environmental compliance?**

Email [productcompliance@molex.com](mailto:productcompliance@molex.com)  
 For a multiple part number RoHS Certificate of Compliance, [click here](#)

Please visit the [Contact Us](#) section for any non-product compliance questions.

**Search Parts in this Series**

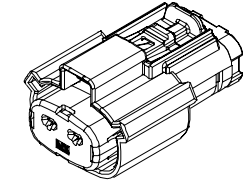
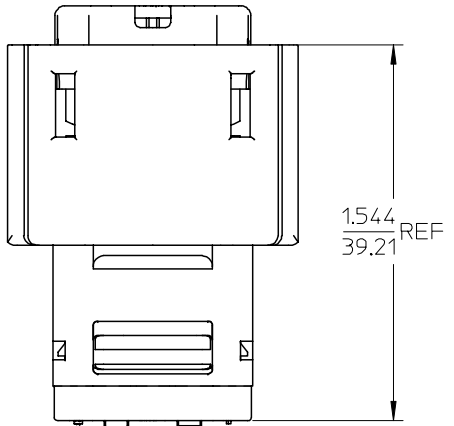
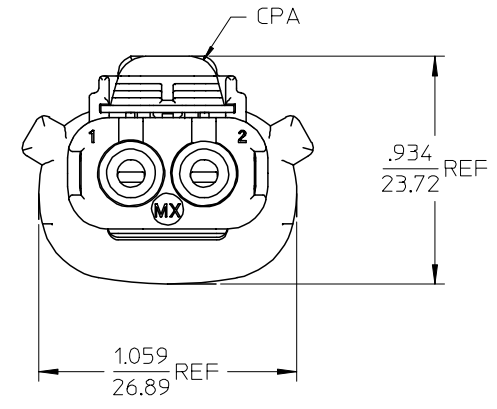
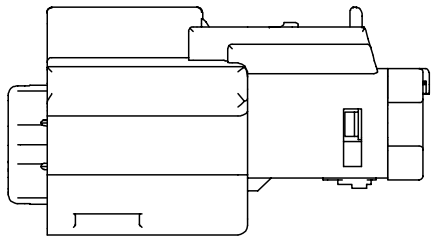
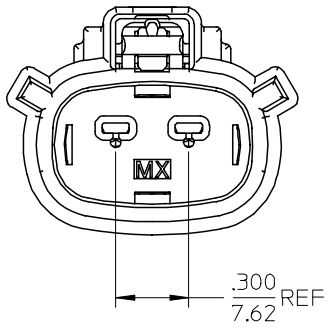
[19432Series](#)

**Mates With**

[19433-0013 Male Plug](#)

**Use With**

[19434 Female Terminals](#)



194320013	10-12	YES
194320014	8	
194320015	10-12	NO
194320016	8	
MATERIAL NUMBER	UL WIRE AWG	CPA

NOTES:  
 1. ASSEMBLY PACKAGED PER PK-19432-001  
 2. USE CONNECTOR WITH FEMALE CRIMP TERMINAL: SERIES 19434.

<b>PRODUCT RELEASE</b> EC NO: ETC2005-0069 DRWN:BRUPERT 2004/10/25 CHKD:JPWLICK 2004/10/25 APPR:RDEROSS 2004/10/25	QUALITY SYMBOLS ▽=0 ▽=0	GENERAL TOLERANCES (UNLESS SPECIFIED)		DIMENSION STYLE IN/MM	SCALE 2:1	DESIGN UNITS INCH	THIRD ANGLE PROJECTION	
		4 PLACES ± --- ± --- 3 PLACES ± --- ± .015 2 PLACES ± 0.38 ± --- 1 PLACE ± --- ± ---	DRAWN BY B.RUPERT DATE 04/09/29	CHECKED BY JPWLICK DATE 04/09/29	TITLE 2 WAY RECEPTACLE ASSEMBLY			
		ANGULAR ± 1 °	APPROVED BY R.DEROSS DATE 04/09/29	MATERIAL NO. SEE CHART DOCUMENT NO. SD-19432-001				
	DRAFT WHERE APPLICABLE MUST REMAIN WITHIN DIMENSIONS	SIZE B	THIS DRAWING CONTAINS INFORMATION THAT IS PROPRIETARY TO MOLEX INCORPORATED AND SHOULD NOT BE USED WITHOUT WRITTEN PERMISSION					