

PLEASE CHECK WWW.MOLEX.COM FOR LATEST PART INFORMATION

Part Number: [0350369902](#)
Status: **Active**
Description: .250mm (.009") Fuse Terminal, 3.0mm2 - 5.0mm2

Documents:

[Drawing \(PDF\)](#) [Product Specification PS-35827-001 \(PDF\)](#)
[Product Specification PS-35036-002 \(PDF\)](#) [RoHS Certificate of Compliance \(PDF\)](#)

General

| | |
|-------------------------|-----------------|
| Product Family | Crimp Terminals |
| Series | 35036 |
| Comments | Box Type |
| Crimp Quality Equipment | Yes |
| Product Name | N/A |

Physical

| | |
|--------------------------------|----------------------|
| Durability (mating cycles max) | 10 |
| Gender | Receptacle |
| Material - Metal | Brass |
| Material - Plating Mating | Tin |
| Material - Plating Termination | Tin |
| Packaging Type | Reel |
| Termination Interface: Style | Crimp or Compression |
| Wire Insulation Diameter | 6.0mm (.236") |
| Wire Size AWG | 20, 22 |
| Wire Size mm ² | 0.64MM, 0.81MM |

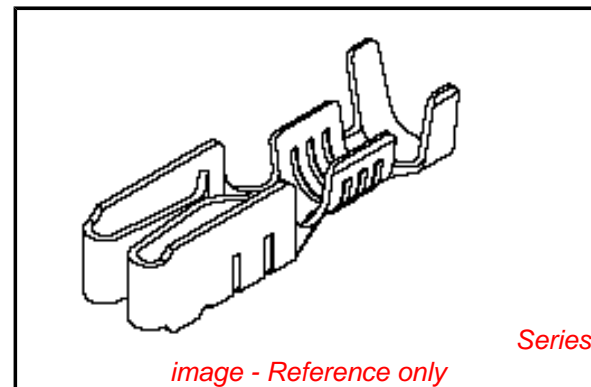
Electrical

| | |
|-------------------------------|--------|
| Current - Maximum per Contact | 6A, 8A |
| Voltage - Maximum | 3V |

Material Info

Reference - Drawing Numbers

| | |
|-----------------------|----------------------------|
| Product Specification | PS-35036-002, PS-35827-001 |
| Sales Drawing | SD-35036-001 |



EU RoHS

**ELV and RoHS
Compliant**
**REACH SVHC
Contains SVHC: No**
**Halogen-Free
Status**

China RoHS

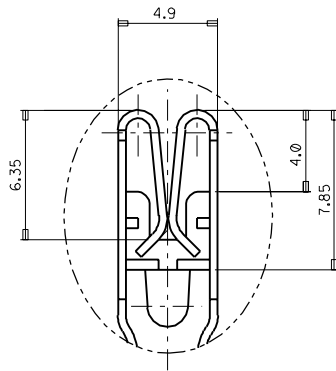
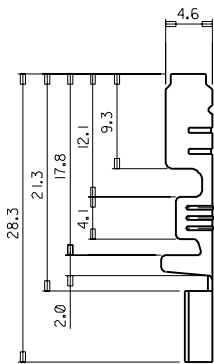
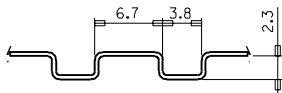
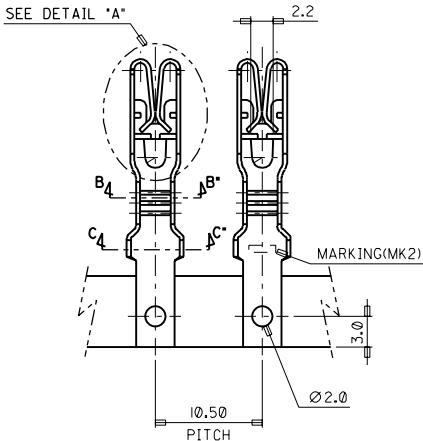


**Need more information on product
environmental compliance?**

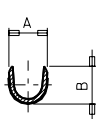
Email productcompliance@molex.com
 For a multiple part number RoHS Certificate of Compliance, [click here](#)

Please visit the [Contact Us](#) section for any non-product compliance questions.

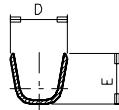
Search Parts in this Series
 35036Series



DETAIL "A"



SECTION B-B"



SECTION C-C"

NOTE

1. MATERIAL: BRASS
THICKNESS: 0.4 mm
2. PLATING: PRE-TIN PLATING
3. WIRE SIZE: 0.3-0.5SO: 35036-9902
0.85-2.5SO: 35036-9802
3.0-5.0SO: 35036-9702

| PART NO. | A | B | D | E |
|------------|-----|-----|-----|-----|
| 35036-9902 | 2.8 | 3.0 | 4.8 | 3.8 |
| 35036-9802 | 4.0 | 3.6 | 5.6 | 5.0 |
| 35036-9702 | 5.6 | 5.4 | 6.0 | 5.3 |

| | | | | | | |
|--|--|---|---|---|---|--|
| EC. NO. KOR1998-0089 DRWG. B.C.YOON '98.5.30 CHK. B.C.YOON '98.5.30 APPR. | QUALITY SYMBOLS MAJOR \blacktriangledown = 0 CRITICAL \blacktriangledown = 0 MINOR ∇ = 0 | GENERAL TOLERANCES (UNLESS SPECIFIED) mm INCH | SCALE 3:1 | DESIGN UNITS mm INCH | DIMENSIONS: <input type="checkbox"/> mm <input type="checkbox"/> INCH <input type="checkbox"/> mm <input type="checkbox"/> INCH ONLY | SHT REV REVISE ON CAD ONLY |
| | | DRAWN BY B. DATE B.C.YOON '97.10.24 | CHECKED BY & DATE B.K.CHOI '97.10.24 | APPROVED BY & DATE C.W.LEE '97.10.24 | THIRD ANGLE PROJECTION | TITLE: 250 FUSE TERMINAL (BOX TYPE) |
| CAD FILENAME sd35036.dgn | MATERIAL NO. SEE TABLE | DRAWING NO. SD-35036-001 | SHEET NO. 1 OF 1 | SIZE B | THIS DRAWING CONTAINS INFORMATION THAT IS PROPRIETARY TO MOLEX INCORPORATED AND SHOULD NOT BE USED WITHOUT WRITTEN PERMISSION. | |