

**PLEASE CHECK WWW.MOLEX.COM FOR LATEST PART INFORMATION**

**Part Number:** [0351790480](#)  
**Status:** **Active**  
**Description:** 7.40/8.00mm (.291/.315") Pitch, 6.35mm (.250") Tab Wire-to-Board Housing for Timer Application, Female, 3-4 Circuits

**Documents:**

[Drawing \(PDF\)](#) [RoHS Certificate of Compliance \(PDF\)](#)  
[Product Specification PS-35179-001 \(PDF\)](#)

**General**

Product Family	Crimp Housings
Series	<a href="#">35179</a>
Product Name	N/A

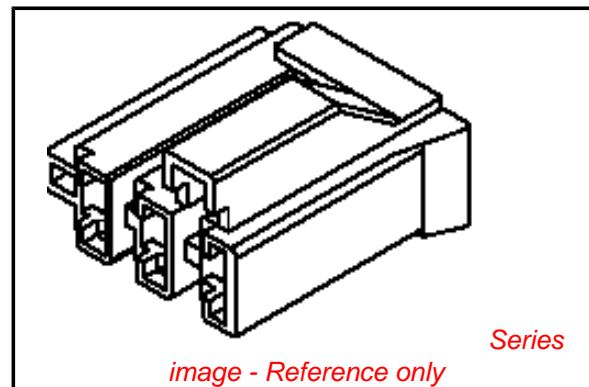
**Physical**

Circuits (maximum)	4
Color - Resin	Natural
Gender	Female
Glow-Wire Compliant	No
Material - Resin	Polyester
Number of Rows	1
Packaging Type	Bag
Panel Mount	No
Pitch - Mating Interface (in)	0.291 In
Pitch - Mating Interface (mm)	7.40 mm
Stackable	No
Temperature Range - Operating	-40°C to +120°C

**Material Info**

**Reference - Drawing Numbers**

Product Specification	PS-35179-001
Sales Drawing	SD-35179-002



**EU RoHS**

**ELV and RoHS Compliant**  
**REACH SVHC**  
 Not Reviewed  
**Halogen-Free Status**  
 Not Reviewed

**China RoHS**



**Need more information on product environmental compliance?**

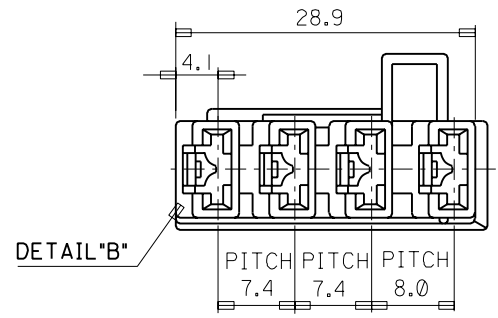
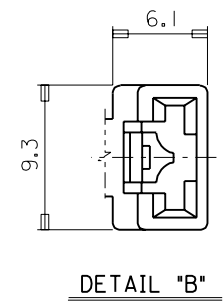
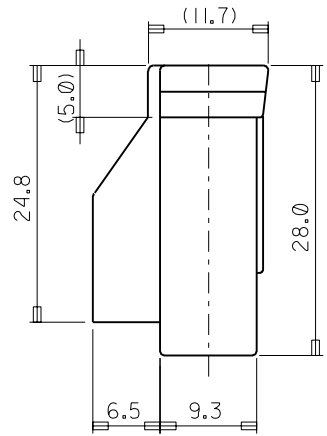
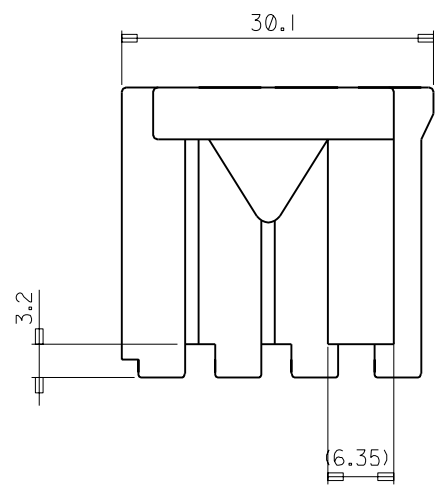
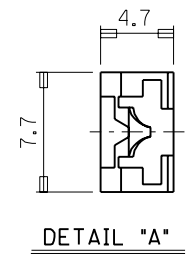
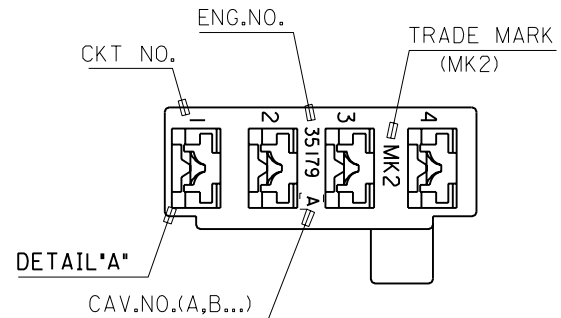
Email [productcompliance@molex.com](mailto:productcompliance@molex.com)  
 For a multiple part number RoHS Certificate of Compliance, [click here](#)

Please visit the [Contact Us](#) section for any non-product compliance questions.

**Search Parts in this Series**  
[35179Series](#)

**Use With**  
[3572540\\*0](#)|[3572542\\*0](#)|[3572541\\*0](#)

DWG. NO. SD-35179-002  
 PROJECT NO. SIMILAR ITEM  
 DO NOT SCALE DRAWING DIMENSION IN METRIC



NOTES

- MATERIA : POLYESTER(PBT) , UL94V-0
- APPLICABLE TERMINALS : 35725-40\*0  
35725-41\*0  
35725-42\*0
- APPLICATION : DEFROST TIMER

REVISED	ECN NO. KOR2002-0061 DRWN: W.Y.YANG 02/01/14	QUALITY SYMBOLS MAJOR CRITICAL	GENERAL TOLERANCES: (UNLESS SPECIFIED)		SCALE 2:1	DESIGN UNITS <input checked="" type="checkbox"/> mm <input type="checkbox"/> INCH	THIRD ANGLE PROJECTION	DIMENSIONS: <input type="checkbox"/> mm <input type="checkbox"/> INCH <input checked="" type="checkbox"/> mm ONLY		SHT	REV		
			mm	INCH	DRAWN BY & DATE W.Y.YANG 94/12/01		TITLE: <b>.250 W/B HOUSING-4P</b>		REVISE ON CAD ONLY				
DI	CHK: APPR:	DESCRIPTION REV	4 PLACES	±0.	±.	CHECKED BY & DATE B.K.CHOI 94/12/01		MOLEX MOLEX INCORPORATED					
			3 PLACES	±0.	±.	APPROVED BY & DATE C.W.LEE 94/12/01							
			2 PLACES	±0.30	±.	CAD FILENAME S35179AB.DGN	MATERIAL NO. 351790480	DRAWING NO. SD-35179-002	SHEET NO. 1 OF 1		SIZE B		
			1 PLACE	±0.30	±.	DRAFT WHERE APPLICABLE MUST REMAIN WITHIN DIMENSIONS						THIS DRAWING CONTAINS INFORMATION THAT IS PROPRIETARY TO MOLEX INCORPORATED AND SHOULD NOT BE USED WITHOUT WRITTEN PERMISSION.	