

PLEASE CHECK WWW.MOLEX.COM FOR LATEST PART INFORMATION

Part Number: [0352700120](#)
Status: **Active**
Description: 6.00mm (.236") Tab Wire-to-Wire Receptacle Housing, Secondary Lock, 1 Circuit
Replacement Part Number: NONE

Documents:

[Drawing \(PDF\)](#) [RoHS Certificate of Compliance \(PDF\)](#)
[Product Specification PS-35270-001 \(PDF\)](#)

General

| | |
|-------------------------|-----------------------|
| Product Family | Crimp Housings |
| Series | 35270 |
| Obsolete Date | 2000/06/01 |
| Product Name | N/A |
| Replacement Part Number | NONE |

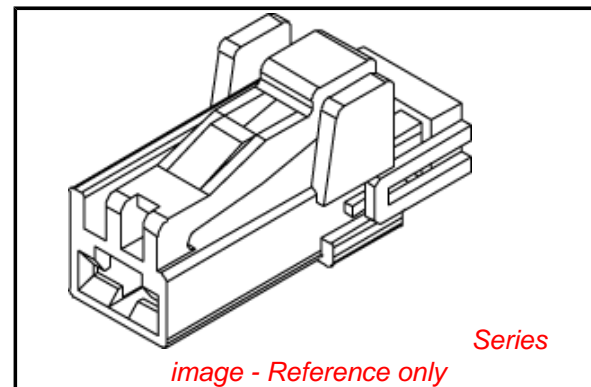
Physical

| | |
|-------------------------------|----------------|
| Circuits (maximum) | 1 |
| Color - Resin | Natural |
| Gender | Female |
| Glow-Wire Compliant | No |
| Lock to Mating Part | None |
| Material - Resin | Polyester |
| Number of Rows | 1 |
| Packaging Type | Bag |
| Panel Mount | No |
| Pitch - Mating Interface (in) | 0.000 In |
| Pitch - Mating Interface (mm) | 0.00 mm |
| Stackable | No |
| Temperature Range - Operating | -40°C to +80°C |

Material Info

Reference - Drawing Numbers

| | |
|-----------------------|---------------|
| Product Specification | PS-35270-001 |
| Sales Drawing | SD-35270-0120 |



EU RoHS

ELV and RoHS Compliant
REACH SVHC
 Not Reviewed
Halogen-Free Status

China RoHS



Need more information on product environmental compliance?

Email productcompliance@molex.com
 For a multiple part number RoHS Certificate of Compliance, [click here](#)

Please visit the [Contact Us](#) section for any non-product compliance questions.

Search Parts in this Series

[35270Series](#)

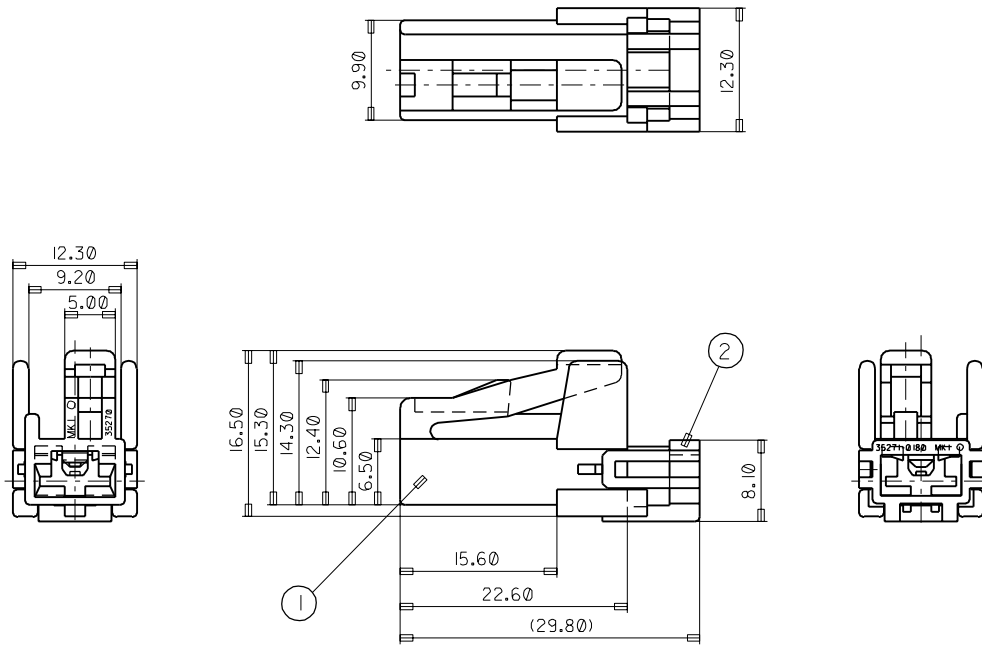
Mates With

[35272](#)

Use With

[35427](#) , [35430](#)

PROJECT NO. SIMILAR ITEM EDP NO. ENG. NO. SD 35270-0120



| | P/NO. | PART NAME | MATERIAL |
|---|------------|---------------------------------|----------|
| ① | 35270-0190 | POWERMATE FEMALE HS'G IP (LEFT) | PBT |
| ② | 35271-0180 | POWERMATE FEMALE TPA IP | PBT |

* APPLICABLE TERMINAL : 35427-97**,98**,99**
35430-1700,1800,1900

| | | | | | |
|---------------------------|--|-------------------------------------|--|------------------------------|--|
| | | MATERIAL SEE TABLE | | MOLEX-KOREA CO.,LTD. | |
| | | GENERAL TOLERANCE DIMENSION : *0.20 | | DRAWN BY 961114 J.K.OH | |
| | | ANGLE : | | CHK'D BY | |
| | | DIMENSION CLASSIFICATION | | APP'D BY | |
| | | ▽ : CRITICAL ▼ : MAJOR | | SCALE 2 : 1 | |
| A NEW RELEASE | | 971114 | | TITLE: POWERMATE FEMALE ASSY | |
| LTR REVISION RECORD | | ECN DATE | | - IP(LEFT) | |
| | | ASS'Y PART DESCRIPTION ENG. NO. | | SHEET 1/1 | |
| REVISE ONLY ON CAD SYSTEM | | | | ENG. NO. SD 35270-0120 | |
| | | | | REV A | |