

PLEASE CHECK WWW.MOLEX.COM FOR LATEST PART INFORMATION

Part Number: [0359600302](#)
Status: **Active**
Description: 8.30/10.00mm (.327/.394") Pitch Wire-to-Board Header, Vertical, 6.35mm (.250") Tab, 3 Circuits, Red

Documents:

[3D Model](#) [Product Specification PS-35960-001 \(PDF\)](#)
[Drawing \(PDF\)](#) [RoHS Certificate of Compliance \(PDF\)](#)

General

Product Family	PCB Headers
Series	35960
Application	Wire-to-Board
Product Name	N/A

Physical

Breakaway	No
Circuits (Loaded)	3
Circuits (maximum)	3
Durability (mating cycles max)	30
First Mate / Last Break	No
Glow-Wire Compliant	No
Guide to Mating Part	No
Keying to Mating Part	None
Lock to Mating Part	None
Material - Plating Mating	Tin
Number of Rows	1
Orientation	Vertical
PC Tail Length (in)	0.138 In
PC Tail Length (mm)	3.50 mm
PCB Locator	Yes
PCB Retention	None
PCB Thickness Recommended (in)	0.062 In
PCB Thickness Recommended (mm)	1.60 mm
Packaging Type	Bag
Pitch - Mating Interface (in)	0.327 In, 0.394 In
Pitch - Mating Interface (mm)	10.00 mm, 8.30 mm
Polarized to Mating Part	No
Polarized to PCB	Yes
Shrouded	No
Temperature Range - Operating	-40°C to +105°C
Termination Interface: Style	Through Hole

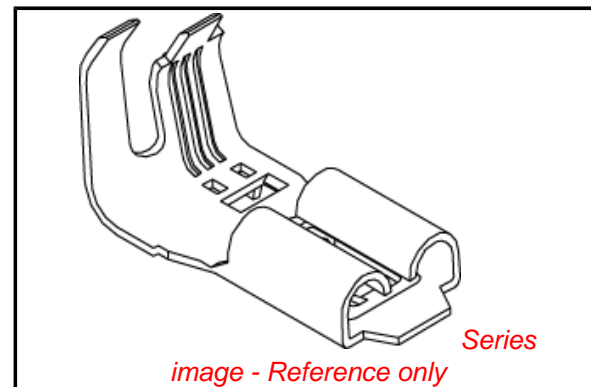
Electrical

Current - Maximum per Contact	25A
Voltage - Maximum	300V

Material Info

Reference - Drawing Numbers

Product Specification	PS-35960-001
Sales Drawing	SD-35960-001



EU RoHS

**ELV and RoHS
Compliant**
REACH SVHC
 Not Reviewed
**Halogen-Free
Status**

China RoHS



**Need more information on product
environmental compliance?**

Email productcompliance@molex.com
 For a multiple part number RoHS Certificate of Compliance, [click here](#)

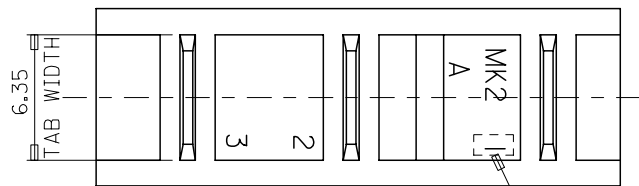
Please visit the [Contact Us](#) section for any non-product compliance questions.

Search Parts in this Series

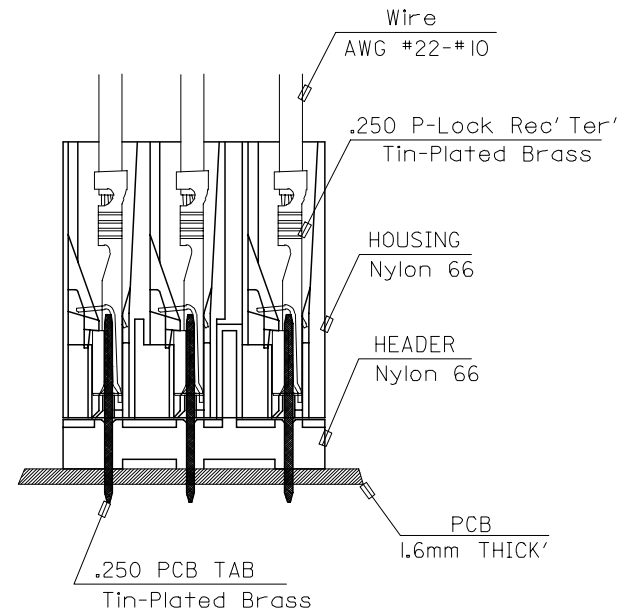
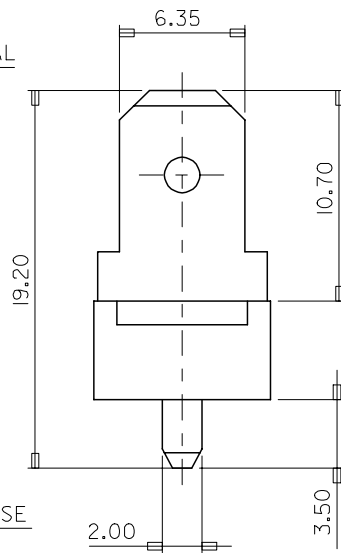
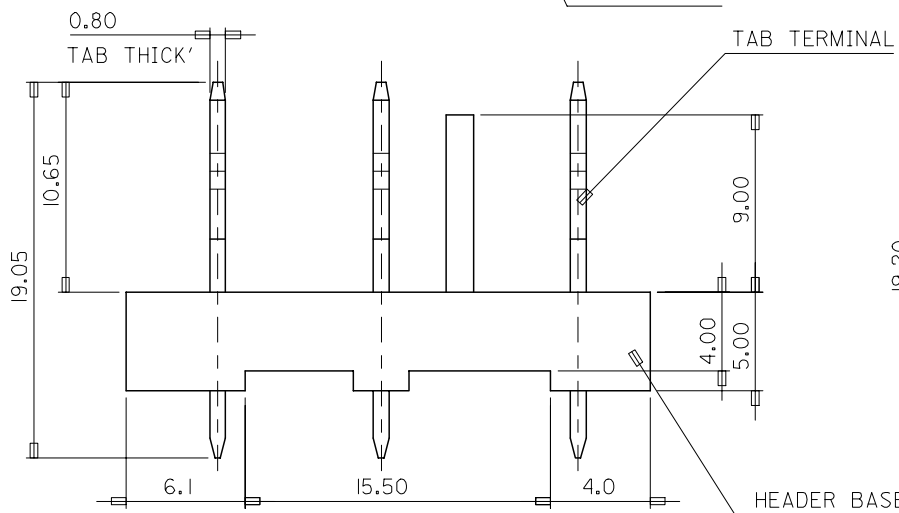
[35960Series](#)

Use With

[35072 MP-Lock™ Quick Disconnect](#)



CIRCUIT NO.

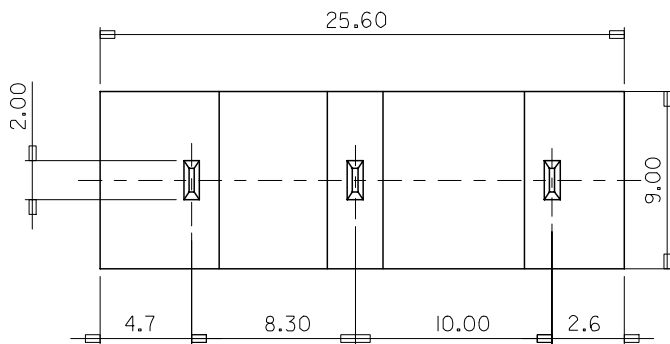


ASS'Y PART

NOTES

1. MATERIAL : HEADER BASE: NYLON66 UL94V-2
TAB TERMINAL : TIN PLATED BRASS
2. MATES WITH : 35959-0300

MATERIAL NO.	ENG NO.	COLOR
359600300	35960-0300	NATURAL
359600302	35960-0302	RED



REVISED	DESCRIPTION
EC NO: KOR2008-0062	
DRWN:SKHAN 2007/09/27	
CHKD:WY YANG 2007/09/27	
APPR:YUNSIKKIM 2007/09/27	

QUALITY SYMBOLS	$\nabla = 0$
	$\triangle = 0$

GENERAL TOLERANCES (UNLESS SPECIFIED)	mm	INCH
	4 PLACES ± ---	± ---
	3 PLACES ± ---	± ---
	2 PLACES ± 0.3	± ---
	1 PLACE ± 0.3	± ---
	ANGULAR ± 1 °	
DRAFT WHERE APPLICABLE MUST REMAIN WITHIN DIMENSIONS		

DIMENSION STYLE		SCALE	DESIGN UNITS	THIRD ANGLE PROJECTION
MM ONLY		4:1	METRIC	
DRAWN BY	DATE	TITLE	.250 W/B HEADER-3P	
WY.YANG	1998/04/10			
CHECKED BY	DATE			
BK.CHOI	1998/04/10		MOLEX INCORPORATED	
APPROVED BY	DATE			
CW.LEE	1998/04/10		SD-35960-001	
MATERIAL NO.	DOCUMENT NO.	SIZE	SHEET NO.	
		A3	1 OF 01	