

PLEASE CHECK WWW.MOLEX.COM FOR LATEST PART INFORMATION

Part Number: [0359610250](#)
Status: **Active**
Description: 6.00mm (.236") Pitch MP-Lock™ Housing, 2 Circuits, for 4.75mm (.187") Tab, With Polarization

Documents:

[3D Model](#) [RoHS Certificate of Compliance \(PDF\)](#)
[Drawing \(PDF\)](#)

General

Product Family Crimp Housings
 Series [35961](#)
 Product Name MP-Lock™

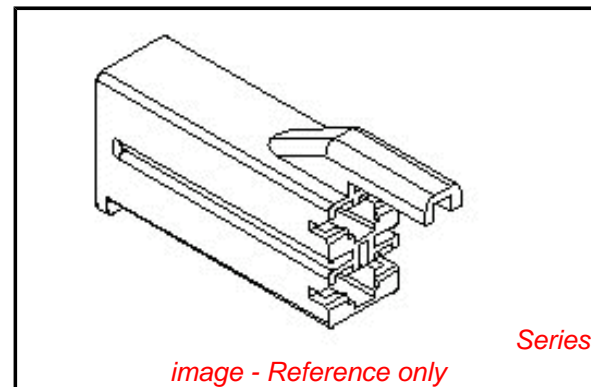
Physical

Breakaway No
 Circuits (maximum) 2
 Gender Female
 Glow-Wire Compliant No
 Number of Rows 2
 Packaging Type Bag
 Panel Mount No
 Pitch - Mating Interface (in) 0.236 In
 Pitch - Mating Interface (mm) 6.00 mm
 Stackable No
 Temperature Range - Operating -40°C to +105°C

Material Info

Reference - Drawing Numbers

Sales Drawing SD-35961-004



EU RoHS

ELV and RoHS Compliant
REACH SVHC Contains SVHC: No
Halogen-Free Status

China RoHS



Need more information on product environmental compliance?

Email productcompliance@molex.com
 For a multiple part number RoHS Certificate of Compliance, [click here](#)

Please visit the [Contact Us](#) section for any non-product compliance questions.

Search Parts in this Series

[35961Series](#)

Mates With

[Appliance Motor](#)|[Appliance Capacitor](#)

Use With

[35068 Female Terminal](#)

DWG. NO.
SD-35961-004

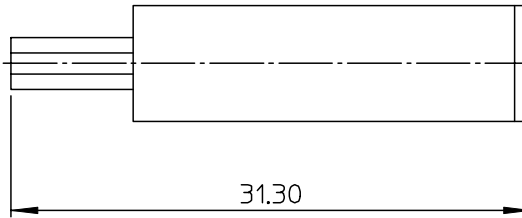
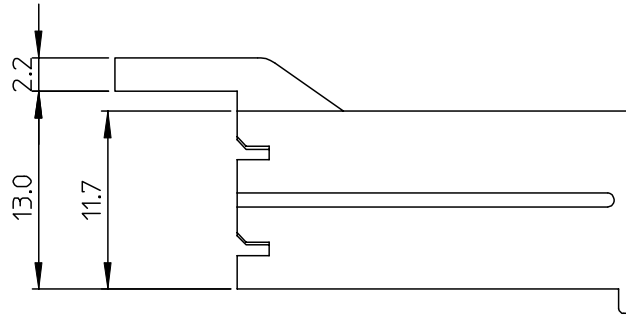
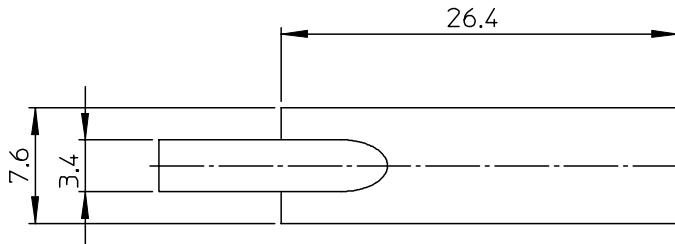
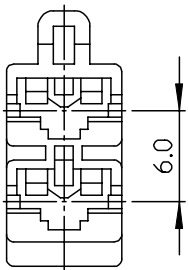
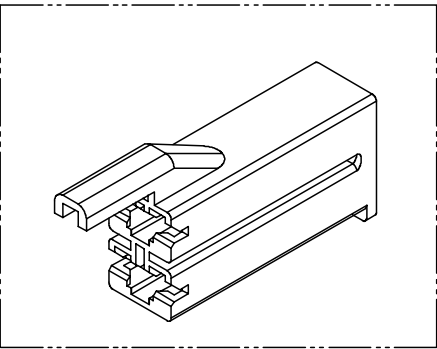
SIMILAR ITEM

PROJECT NO.

C

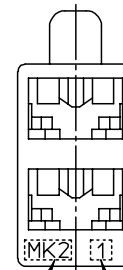
B

DO NOT SCALE DRAWING
DIMENSION IN METRIC



NOTES

- MATERIAL : NYLON
35961-0250 (UL94V-2)
35961-0251 (UL94V-2)
- COLOR : NATURAL COLOR
- APPLICABLE TERMINAL : 35068-9**2



TRADE MARK
(MK2)

CAVITY NO.

REVISED ECN NO. KOR2004-0009 DRWN: C.B.CHIN 03/07/08 CHK: W.Y.YANG APPR: C.W.LEE	DESCRIPTION MAJOR CRITICAL -0 -0	GENERAL TOLERANCES: (UNLESS SPECIFIED)		SCALE 3:1	DESIGN UNITS <input checked="" type="checkbox"/> mm <input type="checkbox"/> INCH	THIRD ANGLE PROJECTION <input checked="" type="checkbox"/> THIRD ANGLE <input type="checkbox"/> FIRST ANGLE	DIMENSIONS: <input type="checkbox"/> mm <input type="checkbox"/> INCH <input checked="" type="checkbox"/> mm ONLY	SHT REV		
		4 PLACES ±0. ±-	3 PLACES ±0. ±-	2 PLACES ±0.30 ±-	1 PLACE ±0.30 ±-	DRAWN BY & DATE J.S.KANG 97/03/21	TITLE: .187 MP-LOCK HOUSING-2P 6mm PITCH(POLARIZED)			REVISE ON CAD ONLY
		ANGULAR: ± 1 °				CHECKED BY & DATE B.K.CHOI 97/03/21	MOLEX INCORPORATED			
		DRAFT WHERE APPLICABLE MUST REMAIN WITHIN DIMENSIONS				APPROVED BY & DATE C.W.LEE 97/03/21	CAD FILENAME J.S.KANG 97/03/21	MATERIAL NO. SEE NOTES	DRAWING NO. SD-35961-004	SHEET NO. 1 OF 1

THIS DRAWING CONTAINS INFORMATION THAT IS PROPRIETARY TO MOLEX INCORPORATED AND SHOULD NOT BE USED WITHOUT WRITTEN PERMISSION.

SIZE
B

KOREA

MX-A3