

**PLEASE CHECK WWW.MOLEX.COM FOR LATEST PART INFORMATION**

**Part Number:** [0359650292](#)  
**Status:** **Active**  
**Description:** 1.78mm (.070") Tab Multiple Wire-to-Wire Female Housing TPA™, 2 Circuits

**Documents:**

[Drawing \(PDF\)](#) [RoHS Certificate of Compliance \(PDF\)](#)  
[Product Specification PS-35180-002 \(PDF\)](#)

**General**

Product Family	Accessories
Series	35965
Component Type	Retainer
Product Name	TPA™ - Term Pos Assurance

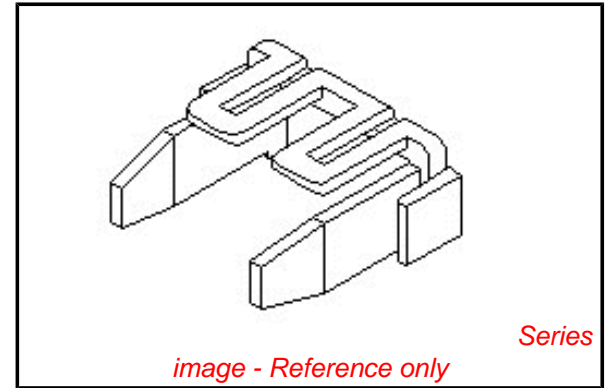
**Physical**

Circuits (Loaded)	2
Lock to Mating Part	Yes
Number of Rows	1
Packaging Type	Bag
Temperature Range - Operating	-40°C to +120°C

**Material Info**

**Reference - Drawing Numbers**

Product Specification	PS-35180-002
Sales Drawing	SD-35965-029*



**EU RoHS**

**ELV and RoHS  
Compliant**  
**REACH SVHC  
Contains SVHC: No**  
**Halogen-Free  
Status**

**China RoHS**



**Need more information on product  
environmental compliance?**

Email [productcompliance@molex.com](mailto:productcompliance@molex.com)  
 For a multiple part number RoHS Certificate of  
 Compliance, [click here](#)

Please visit the [Contact Us](#) section for any  
 non-product compliance questions.

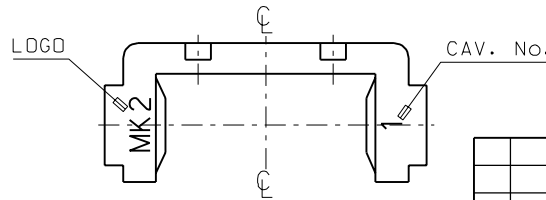
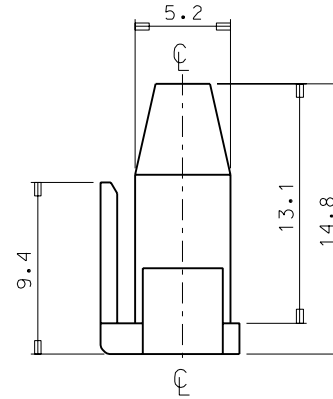
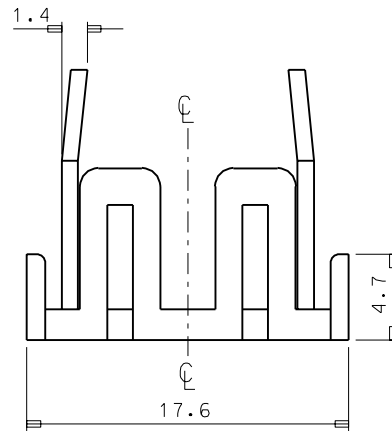
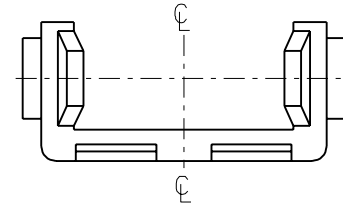
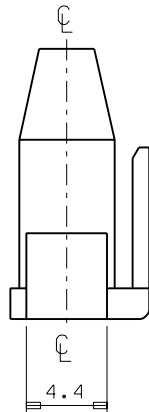
**Search Parts in this Series**

[35965Series](#)

**Use With**

[35965 Wire-to-Wire Female Housing](#)

PROJECT NO. SIMILAR ITEM EDP NO. ENG. NO. SD 35965-029\*



NOTES

- MATERIAL : NYLON 66 (UL94V-2)
- COLOR : 35965-0290 (NATURAL)  
35965-0292 (RED)  
35965-0293 (YELLOW)  
35965-0294 (BLUE)
- MATCHED HOUSING : 35965-020\*  
35965-021\*

				MATERIAL SEE NOTES		molex MOLEX-KOREA CO.,LTD.	
				GENERAL TOLERANCE		DRAWN BY J. S. KANG	
				DIMENSION : $\pm 0.3$		CHK'D BY	
				ANGLE : $\pm 1^\circ$		APP'D BY	
				DIMENSION CLASSIFICATION		SCALE 4/1	
				▽ : CRITICAL ▼ : MAJOR		TITLE :	
				() : REFERENCE		.070 MULTI FEMALE	
A NEW RELEASED				96 12.12		HOUSING T.P.A-2P	
LTR		REVISION RECORD		ECN		DATE	
ASS'Y PART				DESCRIPTION		ENG. NO.	
REVISION RECORD				DATE		ENG. NO.	
REVISION RECORD				DATE		SD 35965-029*	
REVISION RECORD				DATE		REV A	