

PLEASE CHECK WWW.MOLEX.COM FOR LATEST PART INFORMATION

Part Number: [0510351400](#)
Status: **Active**
Description: 2.50mm (.098") Pitch Board-In Housing, 14 Circuits

Documents:

[3D Model](#) [Product Specification PS-51035-002 \(PDF\)](#)
[Drawing \(PDF\)](#) [RoHS Certificate of Compliance \(PDF\)](#)
[Product Specification PS-51035-001 \(PDF\)](#)

General

Product Family Crimp Housings
 Series [51035](#)
 Product Name Board-In

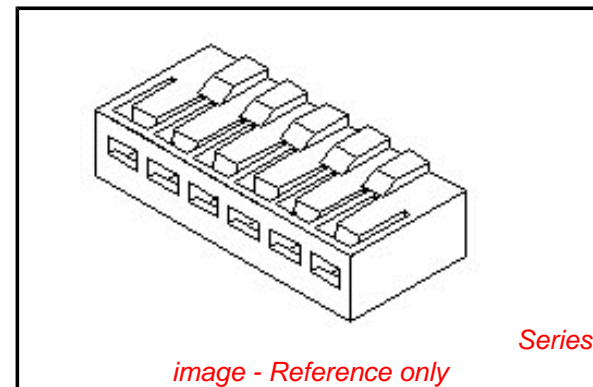
Physical

Circuits (maximum) 14
 Color - Resin Natural
 Gender Male
 Glow-Wire Compliant No
 Material - Resin Nylon
 Number of Rows 1
 Packaging Type Bag
 Panel Mount No
 Pitch - Mating Interface (in) 0.098 In
 Pitch - Mating Interface (mm) 2.50 mm
 Stackable No
 Temperature Range - Operating -40°C to +105°C

Material Info

Reference - Drawing Numbers

Product Specification PS-51035-001, PS-51035-002, RPS-51035-001
 Sales Drawing SD-51035-**00



EU RoHS

**ELV and RoHS
 Compliant**
**REACH SVHC
 Contains SVHC: No**
**Halogen-Free
 Status
 Not Reviewed**

China RoHS



**Need more information on product
 environmental compliance?**

Email productcompliance@molex.com
 For a multiple part number RoHS Certificate of
 Compliance, [click here](#)

Please visit the [Contact Us](#) section for any
 non-product compliance questions.

Search Parts in this Series
[51035Series](#)

Use With
[50097](#)

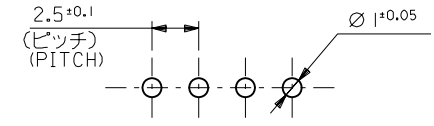
E

D

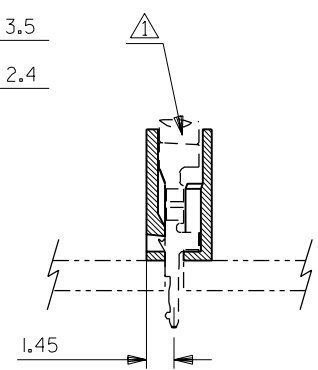
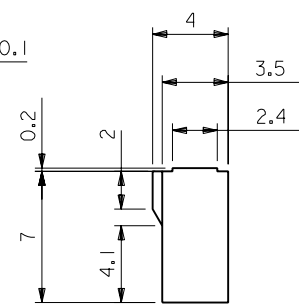
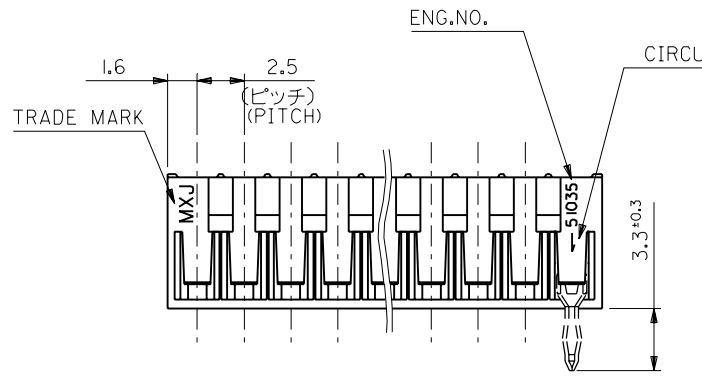
DIMENSIONS IN METRIC DO NOT SCALE DRAWING

A

(公差非累積)
(NON-ACCUMULATIVE)



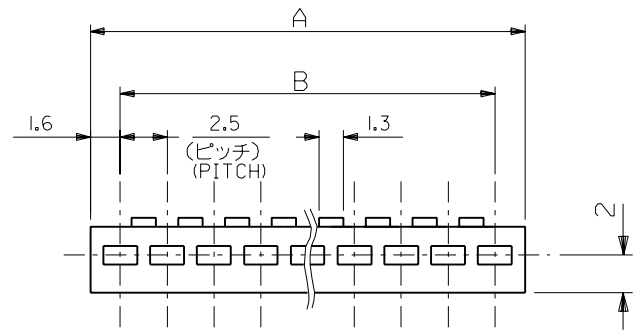
基板取付穴推奨寸法 (基板厚: 1.6mm)
RECOMMENDED PC BOARD HOLE DIMENSION
(THICKNESS: 1.6mm)



注記
NOTE

▲適合ターミナル: 50097-8*00
APPLICABLE TERMINAL: 50097-8*00

42.5	45.7	51035 - 1800	18
40.0	43.2	▲ - 1700	17
37.5	40.7	- 1600	16
35.0	38.2	- 1500	15
32.5	35.7	- 1400	14
30.0	33.2	- 1300	13
27.5	30.7	- 1200	12
25.0	28.2	- 1100	11
22.5	25.7	- 1000	10
20.0	23.2	- 0900	9
17.5	20.7	- 0800	8
15.0	18.2	- 0700	7
12.5	15.7	- 0600	6
10.0	13.2	- 0500	5
7.5	10.7	- 0400	4
5.0	8.2	▼ - 0300	3
2.5	5.7	51035 - 0200	2
B	A	ENG.NO.	極数 CKT.



角度 ANGLE		±3°					材料 MATERIAL	MOLEX-JAPAN CO.,LTD. 日本モレックス株式会社
30以上 OVER		+0.3					仕上げ FINISH	
10以上 30未満 OVER UNDER		+0.25					適用電線範囲 WIRE RANGE	
10未満 UNDER		+0.2					被覆外径 INS. RANGE	
一般公差 GENERAL TOLERANCES			E	REDRAWN	K.S.	96/06/30	DRAWN BY 96/06/30 CHK'D BY 96/06/30	REVISION RECORD TITLE 名称 2.5 BOARD IN CONN. HOUSING
記号 LTR	変更内容 REVISION RECORD	DR.	CHK.	日付 DATE	APP'D BY 96/06/30 M.ENOMOTO	尺度 SCALE	4:1	

DWG. NO. SD-51035-**-00	REV E
----------------------------	----------