

PLEASE CHECK WWW.MOLEX.COM FOR LATEST PART INFORMATION

Part Number: [0528080870](#)
Status: **Active**
Overview:
Description: 1.00mm (.039") Pitch FFC/FPC Connector, SMT, Vertical, Non-ZIF Receptacle, 8 Circuits, Lead-free

Agency Certification

UL E29179

General

Product Family FFC/FPC Connectors
 Series 52808
 Overview ffc_fpc_smt
 Product Name N/A

Physical

Circuits (Loaded) 8
 Circuits (maximum) 8
 Color - Resin Natural
 Contact Position N/A
 Durability (mating cycles max) 10
 Entry Angle N/A
 Flammability 94V-0
 Mated Height (in) 0.199 In
 Mated Height (mm) 5.05 mm
 Material - Metal Phosphor Bronze
 Material - Plating Mating Tin-Bismuth
 Material - Plating Termination Tin-Bismuth
 Material - Resin High Temperature Thermoplastic
 Number of Rows 1
 Orientation Vertical
 PCB Locator No
 PCB Retention None
 Packaging Type Embossed Tape on Reel
 Pitch - Mating Interface (in) 0.039 In
 Pitch - Mating Interface (mm) 1.00 mm
 Pitch - Term. Interface (in) 0.039 In
 Pitch - Term. Interface (mm) 1.00 mm
 Plating min: Mating (µin) 40
 Plating min: Mating (µm) 1
 Plating min: Termination (µin) 40
 Plating min: Termination (µm) 1
 Polarized to PCB No
 Stackable No
 Surface Mount Compatible (SMC) Yes
 Temperature Range - Operating -20°C to +80°C
 Termination Interface: Style Surface Mount
 Wire/Cable Type FFC/FPC

Electrical

Current - Maximum per Contact 0.5A
 Voltage - Maximum 125V AC (RMS)/DC

Material Info

Reference - Drawing Numbers

Packaging Specification SPK-52808-001

EU RoHS

**ELV and RoHS
Compliant**

REACH SVHC

Contains SVHC: No

Halogen-Free

Status

Not Reviewed

China RoHS



Need more information on product environmental compliance?

Email productcompliance@molex.com
 For a multiple part number RoHS Certificate of Compliance, [click here](#)

Please visit the [Contact Us](#) section for any non-product compliance questions.

Search Parts in this Series

52808Series

Product Specification

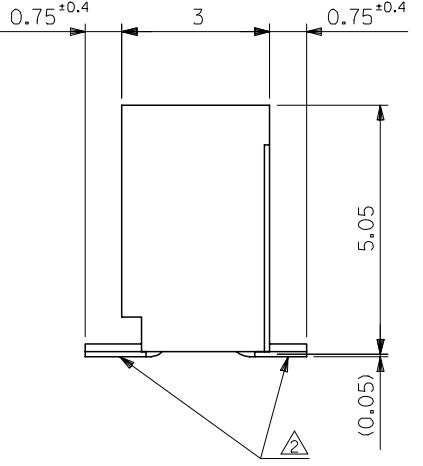
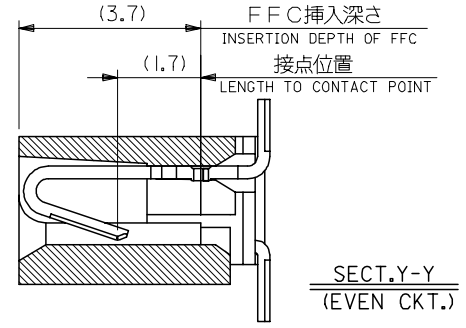
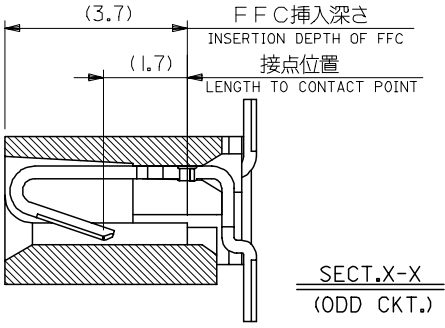
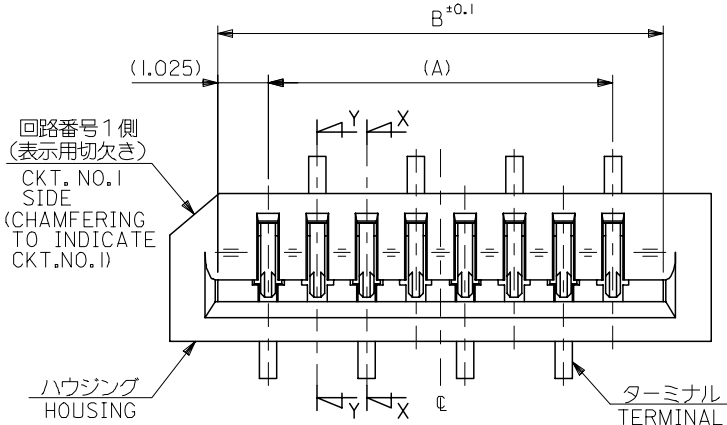
Sales Drawing

PS-52808-004, RPS-52808-039, RPS-52808-044,
RPS-52808-045, RPS-52808-047, RPS-52808-048,
RPS-52808-049
SD-52808-027, SD-52808-028

This document was generated on 06/05/2010

PLEASE CHECK WWW.MOLEX.COM FOR LATEST PART INFORMATION

10 9 8 7 6 5 4 3 2 1

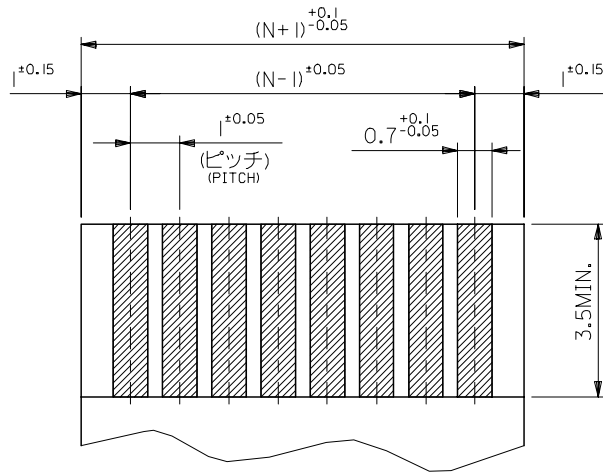


| | | | | |
|----|-------|----|------------|----|
| 33 | 31.05 | 29 | 52808-3019 | 30 |
| 32 | 30.05 | 28 | -2919 | 29 |
| 31 | 29.05 | 27 | -2819 | 28 |
| 30 | 28.05 | 26 | -2719 | 27 |
| 29 | 27.05 | 25 | -2619 | 26 |
| 28 | 26.05 | 24 | -2519 | 25 |
| 27 | 25.05 | 23 | -2419 | 24 |
| 26 | 24.05 | 22 | -2319 | 23 |
| 25 | 23.05 | 21 | -2219 | 22 |
| 24 | 22.05 | 20 | -2119 | 21 |
| 23 | 21.05 | 19 | -2019 | 20 |
| 22 | 20.05 | 18 | -1919 | 19 |
| 21 | 19.05 | 17 | -1819 | 18 |
| 20 | 18.05 | 16 | -1719 | 17 |
| 19 | 17.05 | 15 | -1619 | 16 |
| 18 | 16.05 | 14 | -1519 | 15 |
| 17 | 15.05 | 13 | -1419 | 14 |
| 16 | 14.05 | 12 | -1319 | 13 |
| 15 | 13.05 | 11 | -1219 | 12 |
| 14 | 12.05 | 10 | -1119 | 11 |
| 13 | 11.05 | 9 | -1019 | 10 |
| 12 | 10.05 | 8 | -0919 | 9 |
| 11 | 9.05 | 7 | -0819 | 8 |
| 10 | 8.05 | 6 | -0719 | 7 |
| 9 | 7.05 | 5 | -0619 | 6 |
| 8 | 6.05 | 4 | -0519 | 5 |
| 7 | 5.05 | 3 | 52808-0419 | 4 |

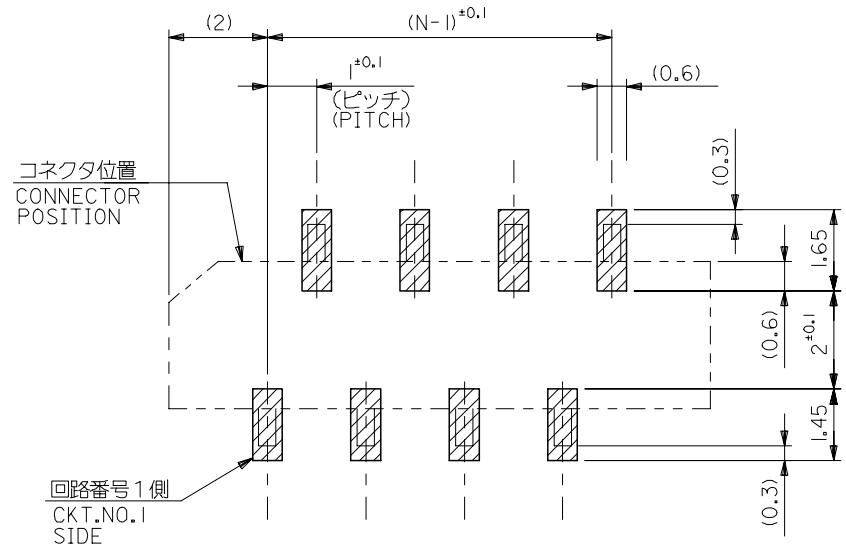
注記 NOTES:

1. 使用材料 MATERIAL
 ハウジング: PPS, UL94V-0 HOUSING : PPS, UL94V-0
 ターミナル: リン青銅 (±0.25) TERMINAL : PHOSPHOR BRONZE
 メッキ: ニッケル下地鍍ビスマスメッキ PLATING : TIN-BISMUTH OVER NICKEL
2. 基準面 [E] からのソルダーテールの半田付け面のズレ量は、
 上方向に0.1 MAX. 下方向0.15 MAX. とする。
 MISALIGNMENT OF SOLDER TAIL FROM [E]
 : UPPER DIRECTION 0.1 MAX. , LOWER DIRECTION 0.15 MAX.
3. 偶数極に適用。
 APPLY FOR EVEN CKT.
4. 本製品は52808-**-10の鉛フリー品である。
 THIS PRODUCT IS LEAD FREE OF 52808-**-10

| | | | | | | | |
|---|---------------------------------------|-------|----------------------------|-------------------|---|------------------------|------------------------|
| REVISED EC NO: J2006-1497 DRW: NABE1 2005/11/04 CHK: KYOYODA 2005/11/07 APP: NUKITA 2005/11/11 | GENERAL TOLERANCES (UNLESS SPECIFIED) | | DIMENSION STYLE MM ONLY | | SCALE --- | DESIGN UNITS METRIC | THIRD ANGLE PROJECTION |
| | 10 UNDER | ±0.2 | DRAWN BY M. NABE1 | DATE '04/02/19 | TITLE 1.0 FFC CONN. NON ZIF SMT. ST. -LEAD FREE- | | |
| | 10 OVER 30 UNDER | ±0.25 | CHECKED BY M. SASAO | DATE '04/02/19 | MOLEX INCORPORATED | | |
| | 30 OVER | ±0.3 | APPROVED BY M. SASAO | DATE '04/02/19 | DOCUMENT NO. SD-52808-027 | | |
| A | ANGULAR | ±3 ° | MATERIAL NO. SEE CHART | | SHEET NO. 1 OF 1 | | |
| DRAFT WHERE APPLICABLE MUST REMAIN WITHIN DIMENSIONS | | | | | | | |
| SIZE A3 THIS DRAWING CONTAINS INFORMATION THAT IS PROPRIETARY TO MOLEX INCORPORATED AND SHOULD NOT BE USED WITHOUT WRITTEN PERMISSION | | | | | | | |



(仕上がり厚さ) $0.3^{+0.03}$
THICKNESS
適合FPC推奨寸法
APPLICABLE FPC
RECOMMENDED DIMENSION.



参考基板レイアウト (マウント面)
RECOMMENDED P.C.BOARD
PATTERN DIMENSION. (REF.)
(MOUNTING AREA)

FPCについて:

- 打抜き方向は、導体側から補強板側を推奨いたします。
- 補強フィルム材質は、ポリイミドを推奨いたします。
- 接着剤は、熱硬化接着剤を推奨いたします。

ABOUT FPC:

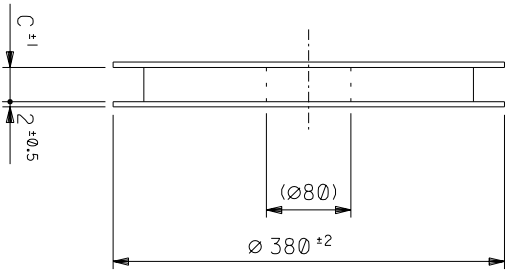
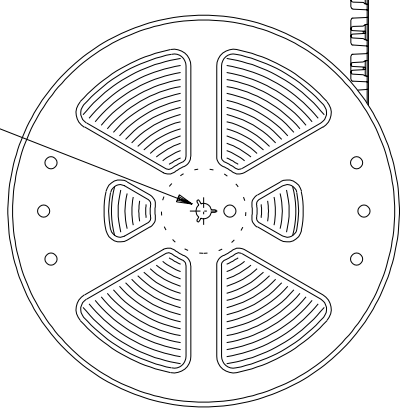
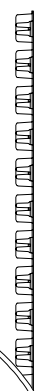
RECOMMENDED PUNCHER DIRECTION: FROM CONDUCTOR SIDE TO STIFFENER BOARD SIDE.

RECOMMENDED MATERIAL:
STIFFENER FILM: POLYIMIDE
BONDING AGENT: THERMOSETTING BONDING AGENT

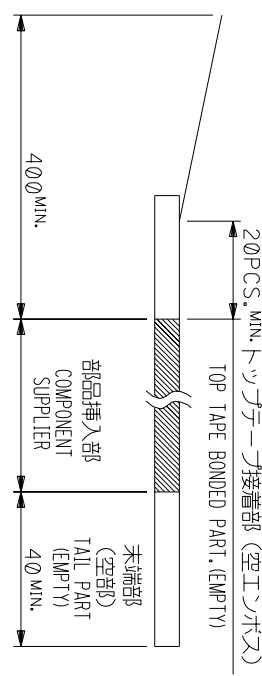
| | | | | | | | | |
|--|---------------------------------------|------------|----------------------------|---|---|------------------------|------------------------|--|
| REVISED EC NO: J2006-1497 DRWN: NABEI 2005/11/04 CHKDK: TOYODA 2005/11/07 APPR: NUKITA 2005/11/11 A | GENERAL TOLERANCES (UNLESS SPECIFIED) | | DIMENSION STYLE MM ONLY | | SCALE --- | DESIGN UNITS METRIC | THIRD ANGLE PROJECTION | |
| | 10 UNDER | ±0.2 | DRAWN BY M. NABEI | DATE '04/02/19 | TITLE 1.0 FFC CONN. NON ZIF SMT. ST. -LEAD FREE- | | | |
| | 10 ⁰ OVER 30 UNDER | ±0.25 | CHECKED BY M. SASAO | DATE '04/02/19 | MOLEX INCORPORATED | | | |
| | 30 OVER | ±0.3 | APPROVED BY M. SASAO | DATE '04/02/19 | DOCUMENT NO. SD-52808-027 | | SHEET NO. 2 OF 2 | |
| | ANGULAR | ±3 ° | MATERIAL NO. SEE CHART | | | | | |
| DRAFT WHERE APPLICABLE MUST REMAIN WITHIN DIMENSIONS | | SIZE A3 | | THIS DRAWING CONTAINS INFORMATION THAT IS PROPRIETARY TO MOLEX INCORPORATED AND SHOULD NOT BE USED WITHOUT WRITTEN PERMISSION | | | | |

8 7 6 5 4 3 2 1

引き出し方向
PULL OUT



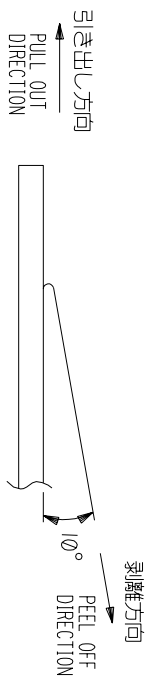
引き出し方向
PULL OUT DIRECTION



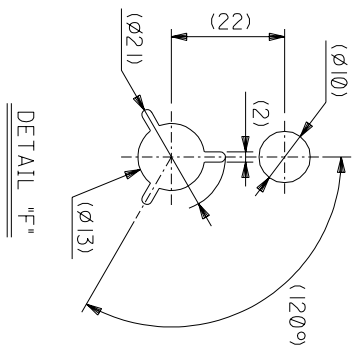
NOTES

- 製品詳細寸法については図面 SD-52808-027 を参照下さい。
RE DETAILED DIMENSION, SEE SD-52808-027
- 梱包数量：1000個/リール
NUMBER OF CONNECTORS：1000PCS/REEL
- リールテープ長さ LEAD TAPE LENGTH
20PCS. MIN. リールテープ接着部 (空エンプス)

4. トッパテープの剥離強度：0.1～1.3N (10～130gf)
(剥離方向は下図参照)
尚、本規格値は出荷時に適用。(但し、輸送時に剥離が発生しないこと。)
PEELING OFF FORCE OF TOP TAPE：0.1～1.3N (10～130gf)
(PEELING DIRECTION AS SHOWN IN FOLLOWING FIG.)
THIS REQUIREMENT SHOULD BE APPLIED AT SHIPMENT.
PEEL OFF SHOULD NOT BE ALLOWED, DURING TRANSPORTATION.



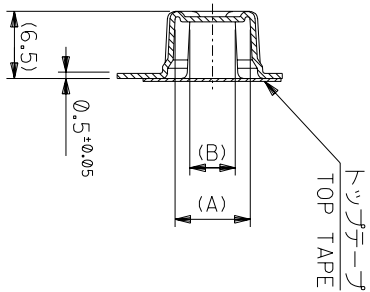
- 材料(MATERIAL)
キャリアテープ(CARRIER TAPE)：ポリプロピレン(POLYPROPYLENE)
トッパテープ(TOPTAPE)：PET, PE, PEF
リール(REEL)：ポリスチレン(PS) <リサイクル材を含む>
POLYSTYRENE(PS) RECYCLE MATERIAL CONTAINED>
- 本製品は52808-**-90の鉛フリー品である。
THIS PRODUCT IS LEAD FREE OF 52808-**-90



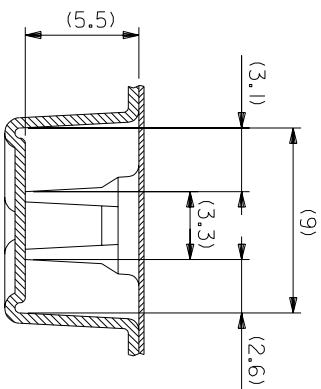
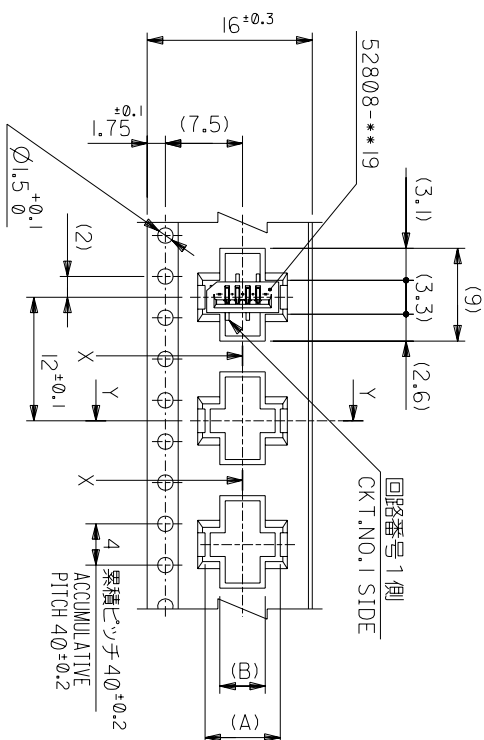
| | |
|----------|-------|
| 角度 ANGLE | ±3° |
| 30以上 | ±0.3 |
| 10以下 | ±0.25 |
| 10未満 | ±0.2 |
| 10未満 | ±0.2 |

| | | | | | | | | | |
|------|---|------|------------|----|----------|----|-------|------|-----------|
| 記号 | 0 | 変更内容 | 12004-2528 | 日付 | 04/02/19 | 材料 | モジュール | 注記参照 | SEE NOTES |
| TR | | 変更内容 | 12004-2528 | 日付 | 04/02/19 | 材料 | モジュール | 注記参照 | SEE NOTES |
| DR | | 変更内容 | 12004-2528 | 日付 | 04/02/19 | 材料 | モジュール | 注記参照 | SEE NOTES |
| CHK. | | 変更内容 | 12004-2528 | 日付 | 04/02/19 | 材料 | モジュール | 注記参照 | SEE NOTES |
| DR | | 変更内容 | 12004-2528 | 日付 | 04/02/19 | 材料 | モジュール | 注記参照 | SEE NOTES |
| CHK. | | 変更内容 | 12004-2528 | 日付 | 04/02/19 | 材料 | モジュール | 注記参照 | SEE NOTES |

THIS DRAWING CONTAINS INFORMATION THAT IS PROPRIETARY TO MOLEX/JAPAN AND SHOULD NOT BE USED WITHOUT WRITTEN PERMISSION
本図面は日本モリス(株)の所有する権利を有するため 当社の許可なく複製を禁止する。



SECT:Y-Y



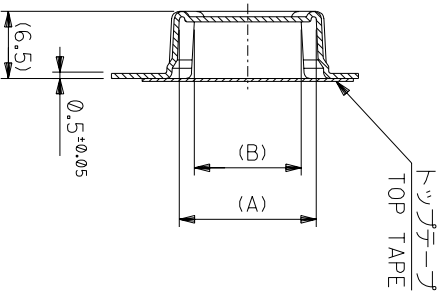
16mm幅キャリアテープ
16mm WIDTH CARRIER TAPE

| | |
|----------|-------|
| 角度 ANGLE | ±3° |
| 30以上 | ±0.2 |
| 10以下 | ±0.25 |
| 10 UNDER | ±0.2 |
| 30 UNDER | ±0.2 |

| | |
|---------|------------------|
| 記号 LTR | 新規作成 (2004-2528) |
| DR-CHK. | 変更内容 |
| DATE | REVISION RECORD |

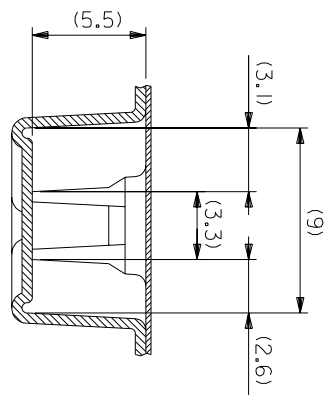
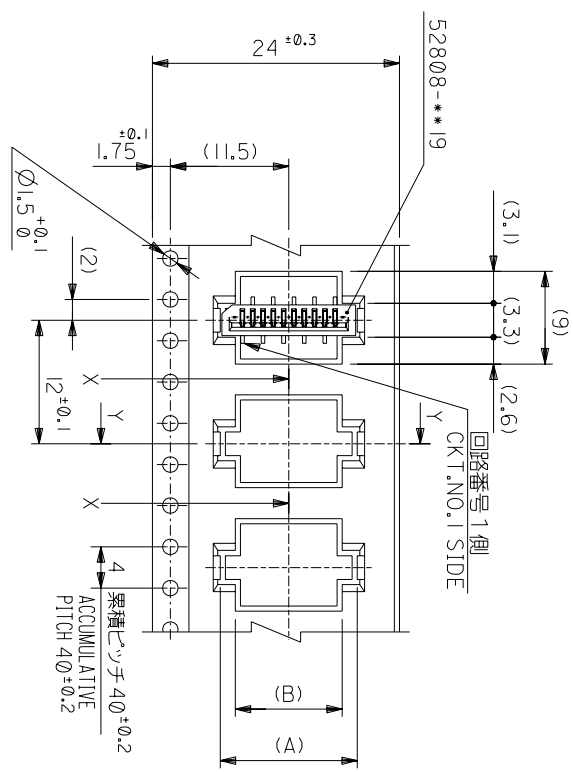
| | | | | | | | |
|-----------------------|---------------------------|-----------------------|------|-------|-----|--------------|----|
| MODEL NO. | 52808-**-70 | 16 | 17.5 | 5.4 | 8.3 | 52808-0570 | 5 |
| CARRIER TAPE WIDTH | キャリアテープ幅 | 16 | 17.5 | 5.4 | 8.3 | 52808-0470 | 4 |
| MATERIAL NO. | 材料 | C | (B) | (A) | (A) | MATERIAL NO. | 種数 |
| REFER TO SHEET 1 OF 6 | 参照シート | REFER TO SHEET 1 OF 6 | | | | | 4 |
| 仕上げ FINISH | 仕上げ | —#— | | | | | |
| 適用電線範囲 | 適用電線範囲 | —#— | | | | | |
| 標準外径 INS. RANGE | 標準外径 | —#— | | | | | |
| DRAWN BY 04/02/19 | CHK'D BY 04/02/19 | 尺 | 度 | SCALE | —#— | | |
| M.NABEI | M.SASAO | 尺 | 度 | SCALE | —#— | | |
| M.SASAO | M.SASAO | 尺 | 度 | SCALE | —#— | | |
| TITLE 名称 | REVISE ONLY ON CAD SYSTEM | | | | | | |
| 1.0 FFC CONN NON ZIF | | | | | | | |
| SMT ST EmbsTD PKG | | | | | | | |
| -LEAD FREE- | | | | | | | |
| DWG. NO. SD-52808-028 | (SHEET 2 OF 6) | | | | | | |
| REV | 0 | | | | | | |

THIS DRAWING CONTAINS INFORMATION THAT IS PROPRIETARY TO MOLEX(JAPAN) AND SHOULD NOT BE USED WITHOUT WRITTEN PERMISSION
 本図面は日本モリス(株)の所有する情報を含むもので 当社の許可なく複製を禁止する。



SECT:Y-Y

24mm幅キヤリヤテープ
24mm WIDTH CARRIER TAPE



SECT:X-X
(SCALE:4-1)

| | | | | | | |
|-----------|------------|--------------------------------|------|------|------------|------------|
| MODEL NO. | 52808-**70 | キャリアテープ幅 CARRIER TAPE WIDTH | C | (B) | (A) | 種数 CKT. |
| | 24 | 25.5 | 10.4 | 13.3 | 52808-1070 | 10 |
| | | | 9.4 | 12.3 | 52808-0970 | 9 |
| | | | 8.4 | 11.3 | 52808-0870 | 8 |
| | | | 7.4 | 10.3 | 52808-0770 | 7 |
| | | | 6.4 | 9.3 | 52808-0670 | 6 |

材料 MATERIAL SHEET 1 OF 6 参照 REFER TO SHEET 1 OF 6
仕上げ FINISH #
適用電線範囲 WIRE RANGE #
検査外径 INS. RANGE #
DRAWN BY 04/02/19 CHK'D BY 04/02/19
M.NABEY M.SASAO
APP'D BY 04/02/19 M.SASAO
SCALE #/#

| | |
|----------|-------|
| 角度 ANGLE | ±3° |
| 30 以上 | ±0.2 |
| 10 以上 | ±0.25 |
| 10 未満 | ±0.2 |
| 10 未満 | ±0.2 |

| | | | | |
|-------------------------|-------------------|---------------|---------|------|
| 一般公差 GENERAL TOLERANCES | 記号 LTR | 変更内容 REVISION | DR-CHK. | DATE |
| 0 | 新規作成 (12004-2528) | | | |

角度 ANGLE ±3°
30 以上 ±0.2
10 以上 ±0.25
10 未満 ±0.2
10 未満 ±0.2

REVISION RECORD

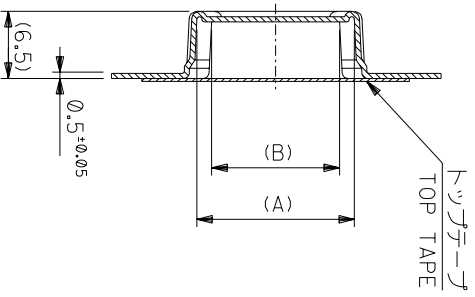
0 新規作成 (12004-2528)

DR-CHK. DATE

DRAWN BY 04/02/19 CHK'D BY 04/02/19
M.NABEY M.SASAO
APP'D BY 04/02/19 M.SASAO
SCALE #/#

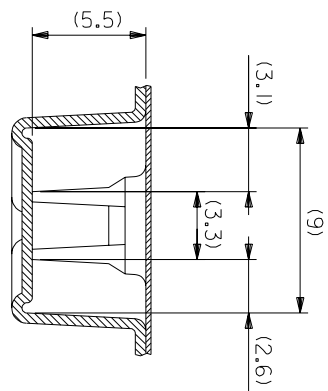
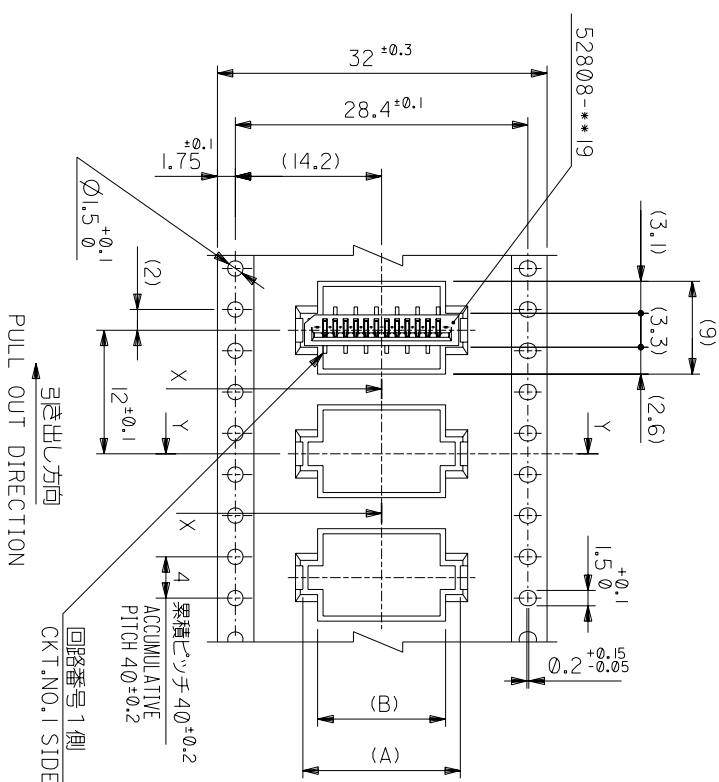
DWG. NO. SD-52808-028 (SHEET 3 OF 6) REV 0

THIS DRAWING CONTAINS INFORMATION THAT IS PROPRIETARY TO MOLEX(JAPAN) AND SHOULD NOT BE USED WITHOUT WRITTEN PERMISSION
本図面は日本モリス(株)の所有する権利を有するもので 当社の許可なく複製を禁止する。



SECT:Y-Y

32mm幅キヤリヤーテープ
32mm WIDTH CARRIER TAPE



SECT:X-X
(SCALE:4-1)

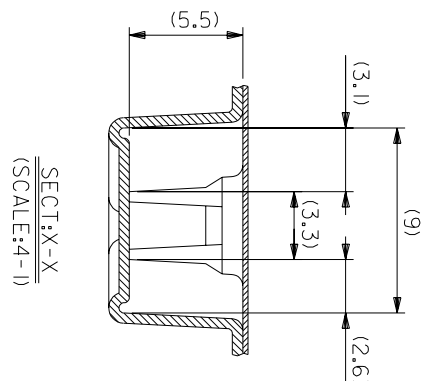
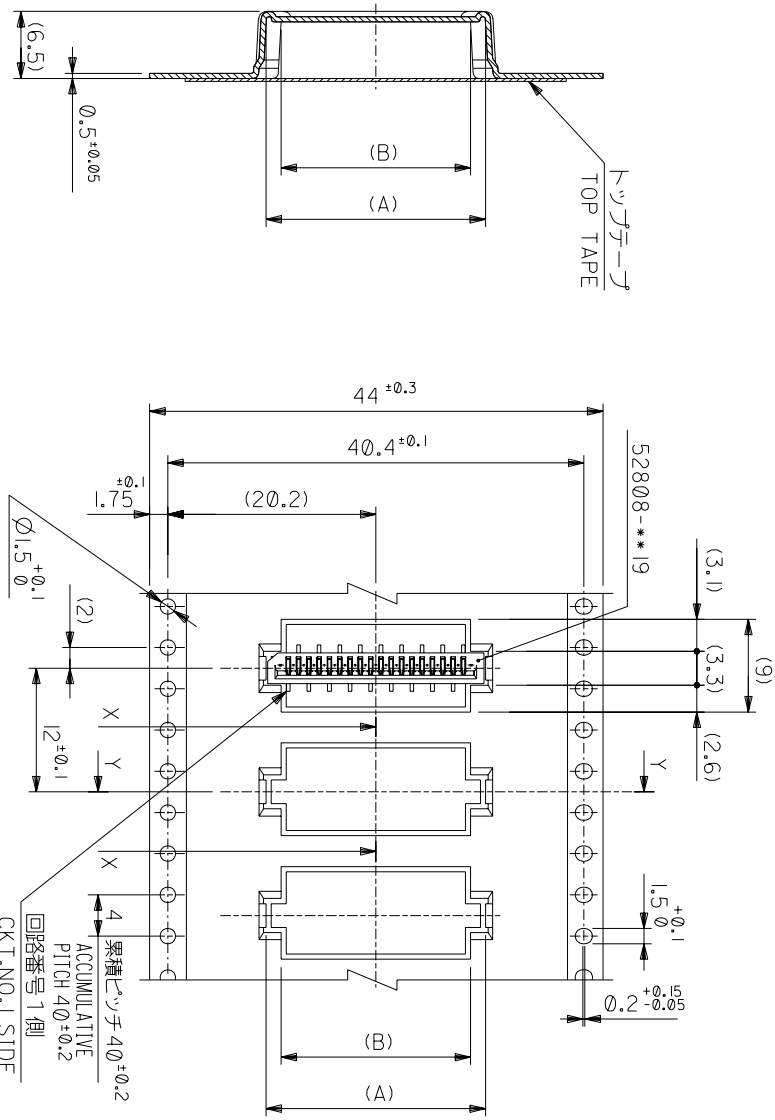
| MODEL NO. | キャリアテープ幅 CARRIER TAPE WIDTH | C | (B) | (A) | MATERIAL NO. | 種数 CKT. |
|-------------|--------------------------------|------|------|------|--------------|------------|
| 52808-**-70 | 32 | 33.5 | 15.4 | 18.3 | 52808-1570 | 15 |
| | | | 14.4 | 17.3 | 52808-1470 | 14 |
| | | | 13.4 | 16.3 | 52808-1370 | 13 |
| | | | 12.4 | 15.3 | 52808-1270 | 12 |
| | | | 11.4 | 14.3 | 52808-1170 | 11 |

材料 MATERIAL SHEET 1 OF 6 参照 REFER TO SHEET 1 OF 6
仕上げ FINISH #
適用電線範囲 適用電線範囲 #
標準外径 標準外径 #
DRAWN BY: M/SASAO CHK'D BY: M/SASAO
APP'D BY: M/SASAO M/NABEI
M/SASAO M/SASAO
SCALE: #

REVISE ONLY ON CAD SYSTEM
TITLE 名称
1.0 FFC Conn NON ZIF
SMT ST Embstp Pkg
-LEAD FREE-

| | |
|-----------------|--------------|
| 角度 ANGLE | 3° |
| 30以上 | 1.0 |
| 10以下 | 1.25 |
| 10以下 | 1.25 |
| 10以下 | 1.25 |
| 一般公差 | ±0.2 |
| 記号 | 0 |
| TR | 0 |
| REVISION RECORD | |
| DR-CHK. | |
| DATE | |
| SCALE | # |
| DWG. NO. | SD-52808-028 |
| REV | 0 |

THIS DRAWING CONTAINS INFORMATION THAT IS PROPRIETARY TO MOLEX(JAPAN) AND SHOULD NOT BE USED WITHOUT WRITTEN PERMISSION
本図面は日本モリス(株)の所有する情報を含むもので 当社の許可なく複製を禁止する。



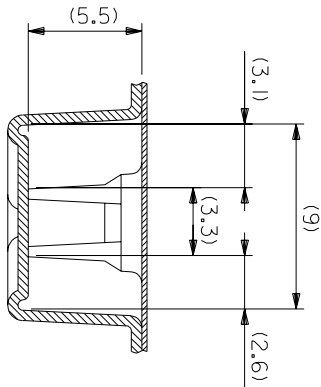
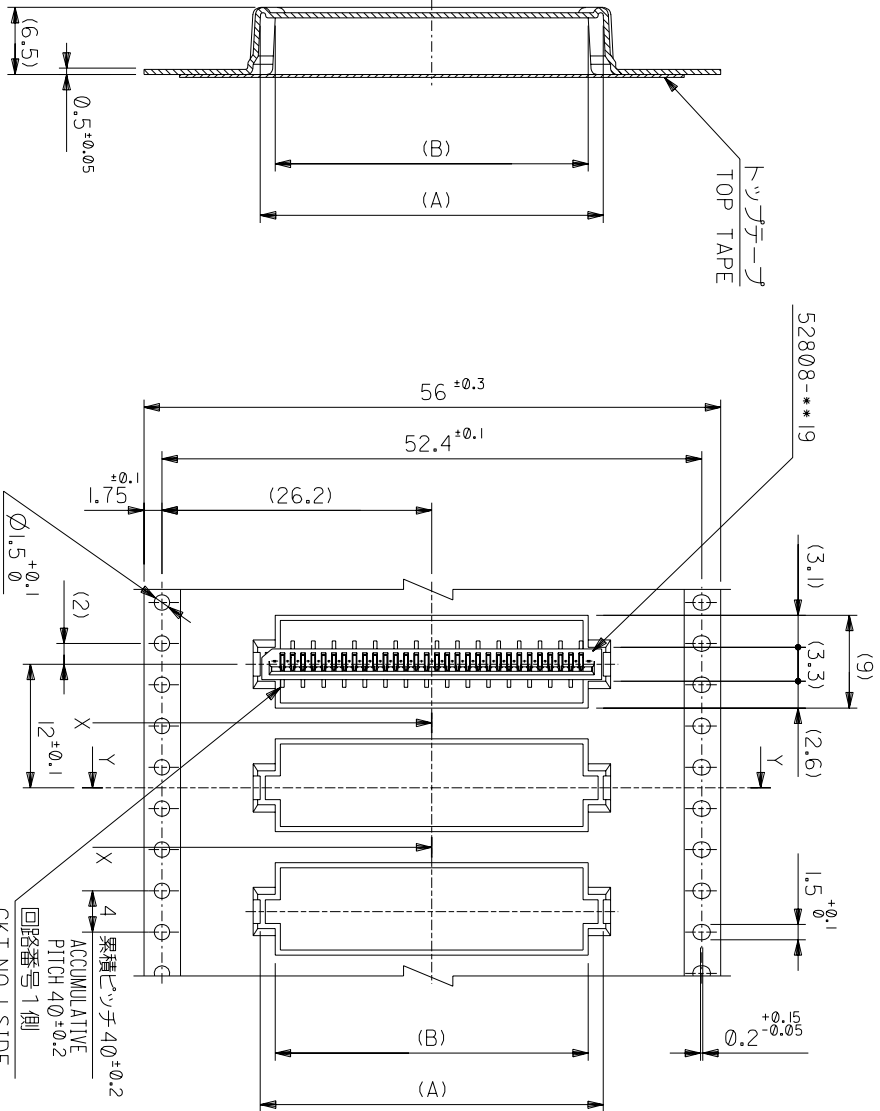
44mm幅キリテープ
44mm WIDTH CARRIER TAPE

SECT:Y-Y

引き出し方向
PULL OUT DIRECTION

| MODEL NO. | 52808-**-70 | キャリアテープ幅 CARRIER TAPE WIDTH | 44 | 45.5 | C | (B) | (A) | MATERIAL NO. | 種数 CKT. |
|---|-------------|--------------------------------|------------|-------------------------|---------|------------------|-------|--|------------|
| MATERIAL SHEET 1 OF 6 参照 REFER TO SHEET 1 OF 6 | | | | | | | | MOLEX-JAPAN CO.,LTD. 日本モリスツクス株式会社 | |
| 仕上げ FINISH | | | | | | | | REVISE ONLY ON CAD SYSTEM | |
| 適用電線範囲 WIRE RANGE | | | | | | | | TITLE 名称 I.0 FFC Conn NON ZIF SMT ST Embstd Pkg -LEAD FREE- | |
| 検査外径 INS. RANGE | | | | | | | | DWG. NO. SD-52808-028 (SHEET 5 OF 6) REV 0 | |
| 記号 LTR | 0 | 新製作成 REVISION | 02004-2528 | 変更内容 REVISION RECORD | DR-CHK. | M.S | DATE | | |
| 一般公差 GENERAL TOLERANCES | | 角度 ANGLE | ±3° | 30以上 30 UNDER | ±0.2 | 30以下 30 UNDER | ±0.25 | | |

THIS DRAWING CONTAINS INFORMATION THAT IS PROPRIETARY TO MOLEX(JAPAN) AND SHOULD NOT BE USED WITHOUT WRITTEN PERMISSION
本図面は日本モリスツクス(株)の所有する情報を含むもので 当社の許可なく複製を禁止する。



SECT:Y-Y

56mm幅キヤリヤテープ
56mm WIDTH CARRIER TAPE

引き出し方向
PULL OUT DIRECTION

累積ピッチ $4\phi \pm 0.2$
PITCH $4\phi \pm 0.2$
回路番号 1側
CKT.NO.1 SIDE

| | | | | | | | | | |
|-------------|--------------------|----|------|------|--------------|------|------|------------|----|
| 52808-**-70 | MODEL NO. | 56 | 57.5 | 30.4 | 29.4 | 33.3 | 32.3 | 52808-3070 | 30 |
| 56 | CARRIER TAPE WIDTH | C | (B) | (A) | MATERIAL NO. | 種数 | 種数 | 種数 | 種数 |

材料 MATERIAL SHEET 1 OF 6 参照
REFER TO SHEET 1 OF 6
仕上げ FINISH
適用電線範囲
標準外径
INS. RANGE
DRAWN BY 04/02/19
M.NABEJI
CHK'D BY 04/02/19
M.SASAO
APP'D BY 04/02/19
M.SASAO
SCALE 1/1

| | |
|----------|---------------|
| 角度 ANGLE | $\pm 3^\circ$ |
| 30以上 | ± 0.2 |
| 10以下 | ± 0.15 |
| 10以下 | ± 0.2 |

| | | |
|--------------------|----------|------------------|
| 記号 | 0 | 新規作成 (2004-2528) |
| TR | 変更内容 | 参照 |
| GENERAL TOLERANCES | DR. CHK. | DATE |

REVISION RECORD
MATERIAL SHEET 1 OF 6 参照
REFER TO SHEET 1 OF 6
仕上げ FINISH
適用電線範囲
標準外径
INS. RANGE
DRAWN BY 04/02/19
M.NABEJI
CHK'D BY 04/02/19
M.SASAO
APP'D BY 04/02/19
M.SASAO
SCALE 1/1
DWG. NO. SD-52808-028
SHEET 6 OF 6
REV 0

THIS DRAWING CONTAINS INFORMATION THAT IS PROPRIETARY TO MOLEX(JAPAN) AND SHOULD NOT BE USED WITHOUT WRITTEN PERMISSION
本図面は日本モリス(株)の所有する情報を含むもので 当社の許可なく複製を禁止する。