

**PLEASE CHECK WWW.MOLEX.COM FOR LATEST PART INFORMATION**

**Part Number:** [0885272600](#)  
**Status:** **Active**  
**Overview:** [fiber optic product families](#)  
**Description:** FC-to-LC, Multimode, 62.5/125µm, Duplex, 2.00mm (.079"), Standard Fiber Optic Cable Assembly, 1.0m (3.28')

**Documents:**

[Drawing \(PDF\)](#) [RoHS Certificate of Compliance \(PDF\)](#)

**General**

Product Family	Fiber Optic Assemblies
Series	<a href="#">88527</a>
Connector to Connector	FC-to-LC
Mode	Multimode
Overview	<a href="#">fiber optic product families</a>
Product Name	FC, LC

**Physical**

Cable Length	1.0m (3.28')
Cable Size	2.00mm (.079")
Fiber (Core/Cladding)	62.5/125µm
Single Ended	No
Wire/Cable Type	Duplex

**Material Info**

**Reference - Drawing Numbers**

Sales Drawing	SD-88527-026
---------------	--------------

**EU RoHS**

**RoHS Compliant by Exemption**  
**REACH SVHC**  
**Not Reviewed**  
**Halogen-Free Status**  
**Not Reviewed**

**China RoHS**

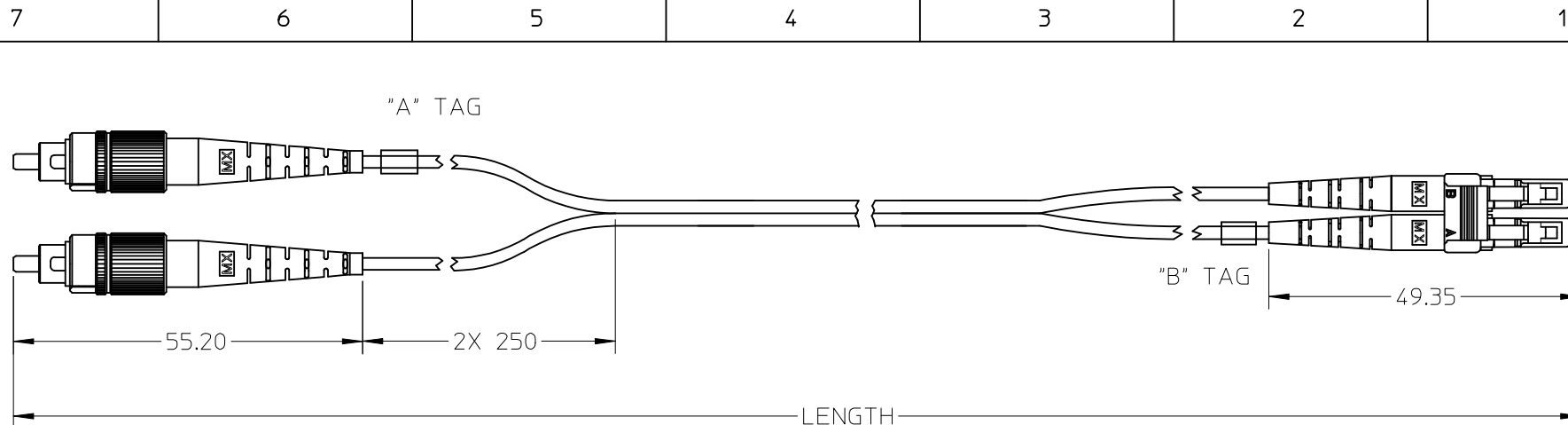


**Need more information on product environmental compliance?**

Email [productcompliance@molex.com](mailto:productcompliance@molex.com)  
 For a multiple part number RoHS Certificate of Compliance, [click here](#)

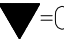
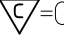

Please visit the [Contact Us](#) section for any non-product compliance questions.

**Search Parts in this Series**  
[88527Series](#)



- NOTES:
1. DUST CAPS ARE NOT SHOWN
  2. PER CHANNEL @ 850nm  
IL <= 0.50dB

885272604	FC-LC DUP MM 62.5/125 2MM 10M	10000(+200/-0)
885272603	FC-LC DUP MM 62.5/125 2MM 5M	5000(+200/-0)
885272602	FC-LC DUP MM 62.5/125 2MM 3M	3000(+200/-0)
885272601	FC-LC DUP MM 62.5/125 2MM 2M	2000(+200/-0)
885272600	FC-LC DUP MM 62.5/125 2MM 1M	1000(+100/-0)
MX P/N	DESCRIPTION	LENGTH

<b>ENTER DESCRIPTION</b> EC NO: DG2009-0079 DRWN: XPCHEN CHKD: APPR: JOWANG	2008/11/10 2008/11/10 2008/11/12	<b>QUALITY SYMBOLS</b>  = 0  = 0	<b>GENERAL TOLERANCES (UNLESS SPECIFIED)</b>		<b>DIMENSION STYLE</b> <b>MM ONLY</b>		<b>SCALE</b> ---	<b>DESIGN UNITS</b> <b>METRIC</b>	 <b>THIRD ANGLE PROJECTION</b>	
					DRAWN BY XP	DATE 2008/10/10	<b>TITLE</b> FC-LC DUP MM 62.5 2MM			
					CHECKED BY LISA	DATE 2008/10/10	<b>MOLEX INCORPORATED</b>			
					APPROVED BY JOHNNY	DATE 2008/10/10	MATERIAL NO. <b>ENTER PART</b>	DOCUMENT NO. SD-88527-026		
					DRAFT WHERE APPLICABLE MUST REMAIN WITHIN DIMENSIONS		SIZE A4	THIS DRAWING CONTAINS INFORMATION THAT IS PROPRIETARY TO MOLEX INCORPORATED AND SHOULD NOT BE USED WITHOUT WRITTEN PERMISSION	SHEET NO. 1 OF 00	